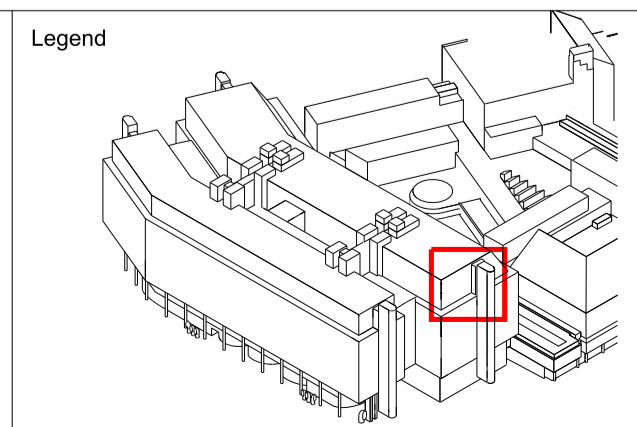


- MATERIAL DESCRIPTION**
- PERIMETER STAIR CORES**
- 6. Coloured glass reinforced concrete cladding panels
 - 7. Coloured glass reinforced concrete ribbed louvre panels
 - 8. Curved glazing to perimeter escape stair landings
 - 9. Painted steel fire escape stair assembly with mesh balustrade infill panels
 - 10. Insulated metal cladding panel
 - 11. Double glazed unit
- CLADDING UPPER LEVELS**
- 23. CCF system at 1.5m centres with dark green anodised/ppc finish aluminium fins and solid red pigmented GRC infill (East/South/West)
 - 24. DGU at 1.5m centres with dark green anodised/ppc finish aluminium fins and solid openable vent red pigmented GRC (North)
 - 25. DGU at 1.5m centres and solid openable vent (North)
 - 26. CCF system at 1.5m centres with flush outer face, horizontal articulation only (South)
 - 27. CCF system at 2.5m centres with expressed panel articulation solid infills. (East/West)
 - 28. Plant room louvre panel
 - 29. Glazed doors to terrace
 - 30. Balustrade with mesh infill, integrated parapet, stainless steel uprights and GRC capping
 - 31. Balustrade with mesh infill, integrated parapet, stainless steel uprights and metal capping
 - 32. Coloured glass reinforced concrete spandrel
 - 33. Timber spandrel panel within cladding system
 - 34. External grade paving
 - 35. Green roof
 - 36. Low level plant enclosure green paint finish
 - 37. Air Source Heat Pump/Chiller/Cooling tower framing green paint finish

Revision	Date	Description
00	24-09-2021	For Planning Application



Drawing Purpose
FOR PLANNING APPLICATION

Drawn by RSHP	Checked by RSHP	Authorised by RSHP
------------------	--------------------	-----------------------

Do not scale from drawing. The author of this drawing takes no responsibility for any dimensions obtained by measuring or scaling from this drawing and no reliance may be placed on such dimensions. If no dimension is given, it is the responsibility of the recipient to ascertain the dimension specifically from the author or by site measurement. The sizing of all structural and service elements must always be checked against the relevant engineers' drawings. No reliance should be placed upon sizing information shown on this drawing.

This drawing has been prepared at a preliminary stage of the design. It is indicative and illustrative only and has not been developed in detail. Further development of the design and clarification of design assumptions will result in changes and RSHP do not undertake any responsibility that this drawing will represent the final construction.

Project
BRITISH LIBRARY

Contact
Rogers Stirk Harbour + Partners

The Leadenhall Building
122 Leadenhall Street
London
EC3V 4AB

tel: 020 7385 1235
fax: 020 7385 8409
email: J11010@rsh-p.com
www.rsh-p.com

Drawing Title © copyright Rogers Stirk Harbour + Partners, all rights reserved 2021
DETAILED BAY
TYPICAL EAST/WEST
UPPER LEVELS

Scale @ A1
1:50

Drawing Number
RSHP-P-1406-D-X

Drawing Date
24-09-2021

Revision Date
-

Revision
00