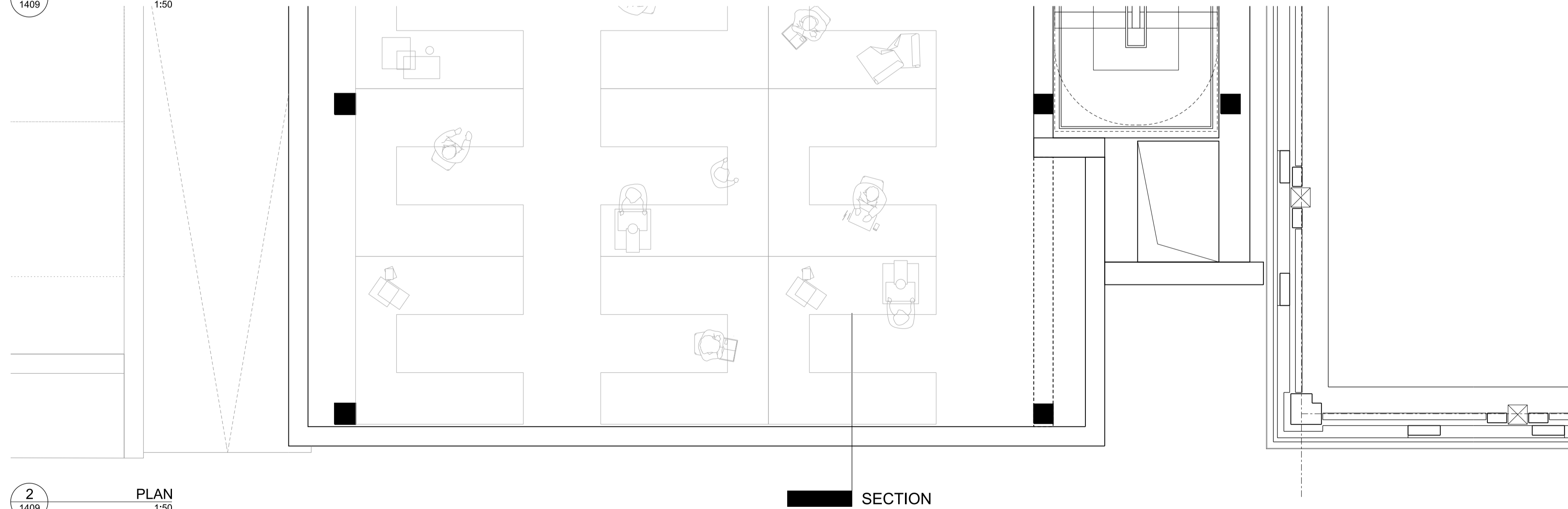


1  
1409 ELEVATION  
1:50

3  
1409 SECTION  
1:50

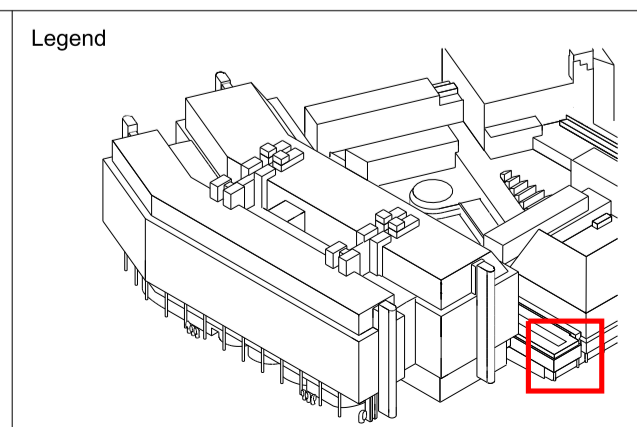


2  
1409 PLAN  
1:50

SECTION

- MATERIAL DESCRIPTION**
- BLCC**
- 47. Brickwork to match existing library
  - 48. RC columns with expressed, painted, permanent steel formwork
  - 49. Anodised aluminium double glazed utilised cladding system
  - 50. Black painted steel railings to match existing library
  - 51. Double glazed frameless clerestory with internal shading as required
  - 52. Metal edge profile
  - 53. Timber roof trusses with stainless steel tension rods and fixings
  - 54. Double glazed roof light with metal external solar shading
  - 55. Stone perimeter wall to match existing library
  - 56. Stainless steel maintenance edge protection
  - 57. Green roof

| Revision | Date       | Description              |
|----------|------------|--------------------------|
| 00       | 24-09-2021 | For Planning Application |



0 1 2 3m

Drawing Purpose  
**FOR PLANNING APPLICATION**

|                         |                           |                              |
|-------------------------|---------------------------|------------------------------|
| Drawn by<br><b>RSHP</b> | Checked by<br><b>RSHP</b> | Authorised by<br><b>RSHP</b> |
|-------------------------|---------------------------|------------------------------|

Do not scale from drawing. The author of this drawing takes no responsibility for any dimensions obtained by measuring or scaling from this drawing and no reliance may be placed on such dimensions. If no dimension is given, it is the responsibility of the recipient to ascertain the dimension specifically from the author or by site measurement.  
The sizing of all structural and service elements must always be checked against the relevant engineers' drawings. No reliance should be placed upon sizing information shown on this drawing.

This drawing has been prepared at a preliminary stage of the design. It is indicative and illustrative only and has not been developed in detail. Further development of the design and clarification of design assumptions will result in changes and RSHP do not undertake any responsibility that this drawing will represent the final construction.

|  |   |  |
|--|---|--|
| Project<br><b>BRITISH LIBRARY</b>                                      | Drawing Title<br>© copyright Rogers Stirk Harbour + Partners, all rights reserved 2021<br><b>DETAILED BAY<br/>BLCC<br/>EAST ELEVATION</b> |  |
| Contact<br><b>Rogers Stirk Harbour + Partners</b>                      | Scale @ A1<br><b>1:50</b>   | Drawing Number<br><b>RSHP-P-1409-D-X</b> |
| The Leadenhall Building<br>122 Leadenhall Street<br>London<br>EC3V 4AB | tel: 020 7385 1235<br>fax: 020 7385 8409<br>email: J11010@rsh-p.com<br>www.rsh-p.com  | Drawing Date<br><b>24-09-2021</b>        |
|  | Revision Date<br><b>-</b>   | Revision<br><b>00</b>                    |