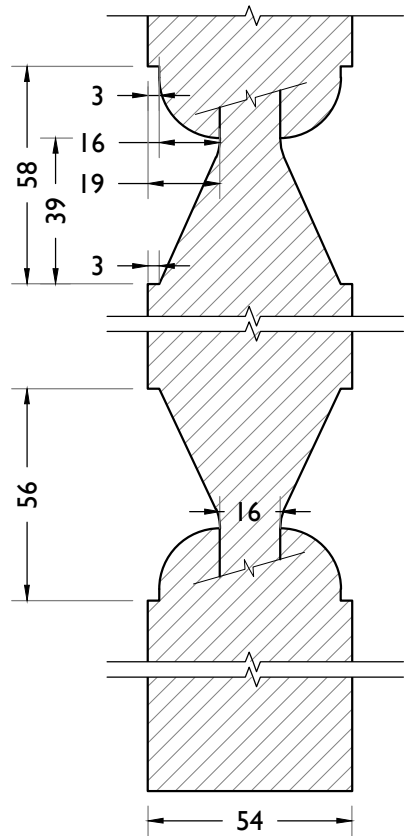


8008-05,
Plan I Details
Scale: 1:2

8008-06,
Section AA Details
Scale: 1:2

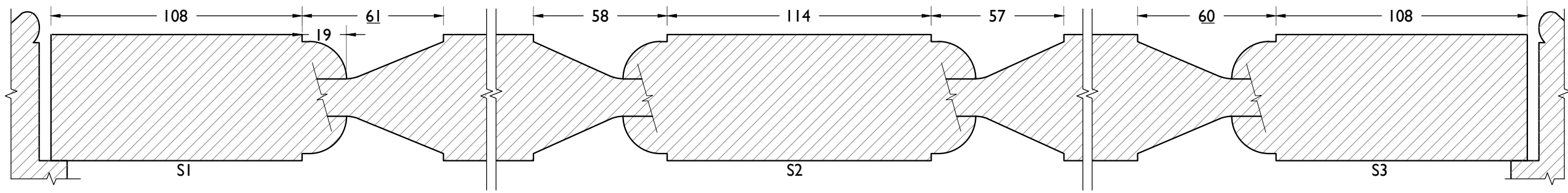


8008-02,
Section AA
Scale: 1:20

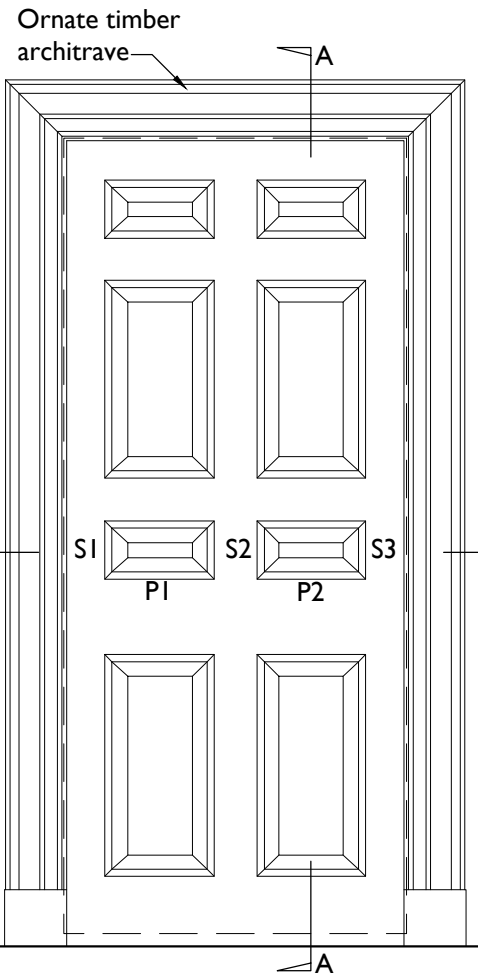
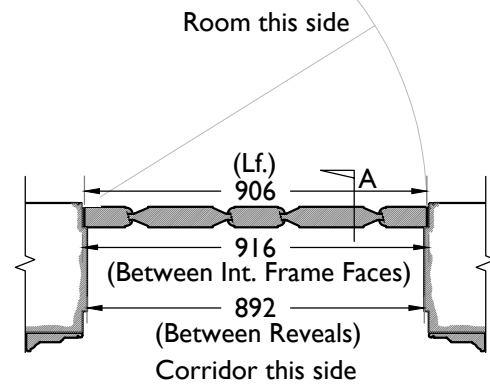
Notes:
Drawings are based on survey data and may not accurately represent what is physically present.
Do not scale from this drawing. All dimensions are to be verified on site before proceeding with the work.
All dimensions are in millimeters unless noted otherwise.
Purcell shall be notified in writing of any discrepancies.

Refer to NBS clause L20 / 286 for replica door joinery spec.
Refer to NBS clause P21 / 194 for replica door ironmongery spec.

- Timber door with timber panels
- For replica doors location of ironmongery to match existing



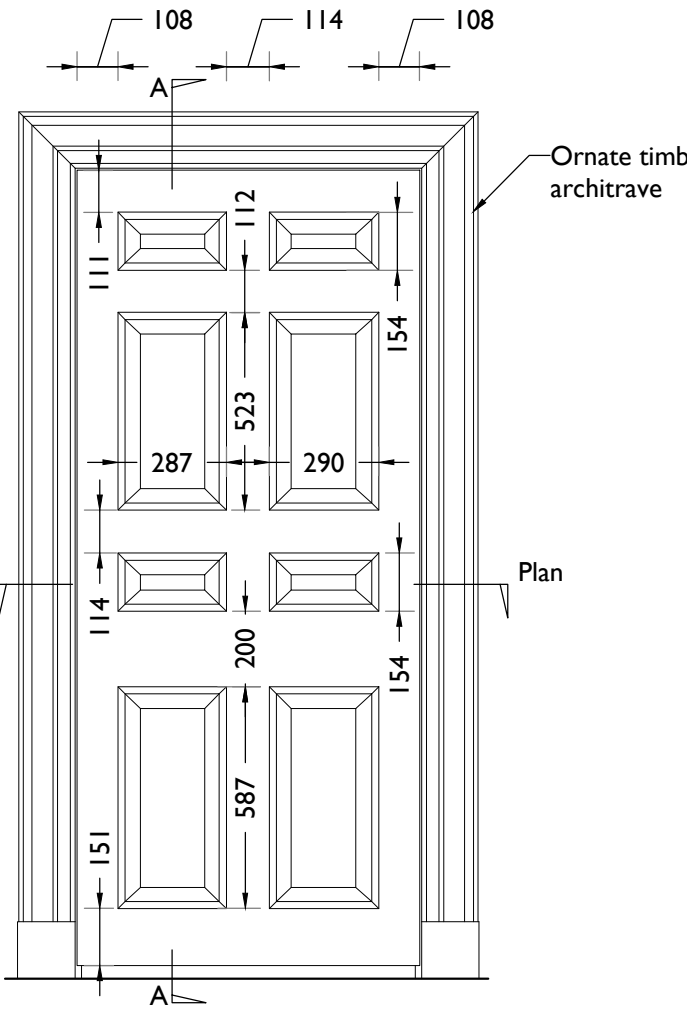
8008-01, Plan, Scale 1:20



8008-03,
Elevation viewed from corridor side
Scale: 1:20



8008-07 &
8008-08,
Photographs of
acorn motif
hinge



8008-04,
Elevation viewed from room side
Scale: 1:20

T01	10 Jan 2020	RH	RH	Notes moved to spec. Ref notes added.
T00	27 Sep 2019			
First Issue 27 Sep 2019 RH RH				
ISSUE	DATE	DRAWN	CHECKED	DESCRIPTION

CLIENT Lendlease
PROJECT Camden Town Hall

DRAWING TITLE Details of Existing Door Type E06
This existing door is DE1.22-1
SIZE & SCALE A3L As Noted
DRAWING STATUS ISSUED FOR TENDER

JOB NUMBER 238664
DRAWING NO.
CTH-PUR-XXX-DR-31-A-8008
REVISION T01

