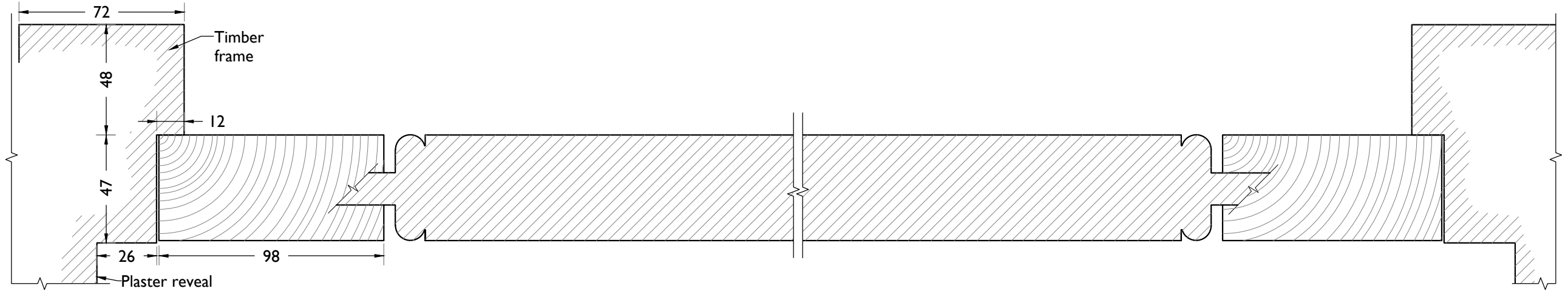
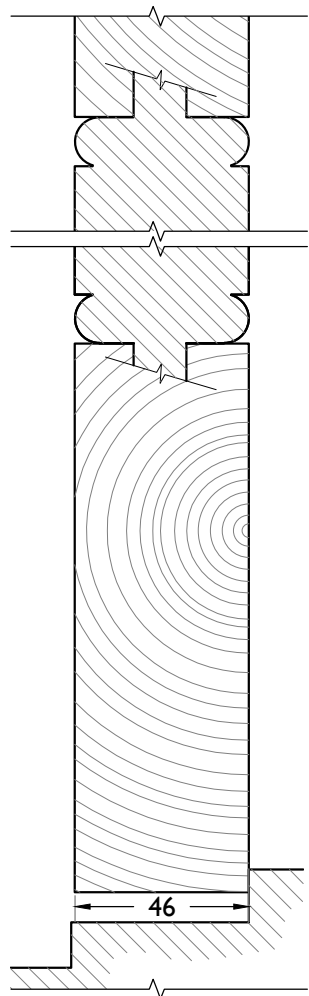
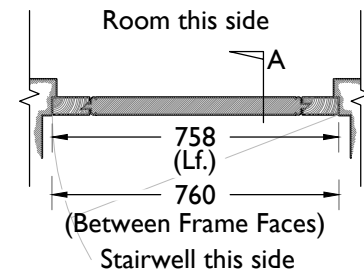


See 8023-03 for panel dimensions



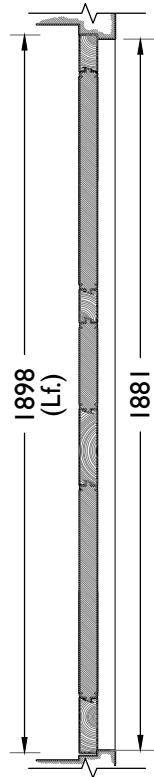
8023-05, Plan Details Scale: 1:2



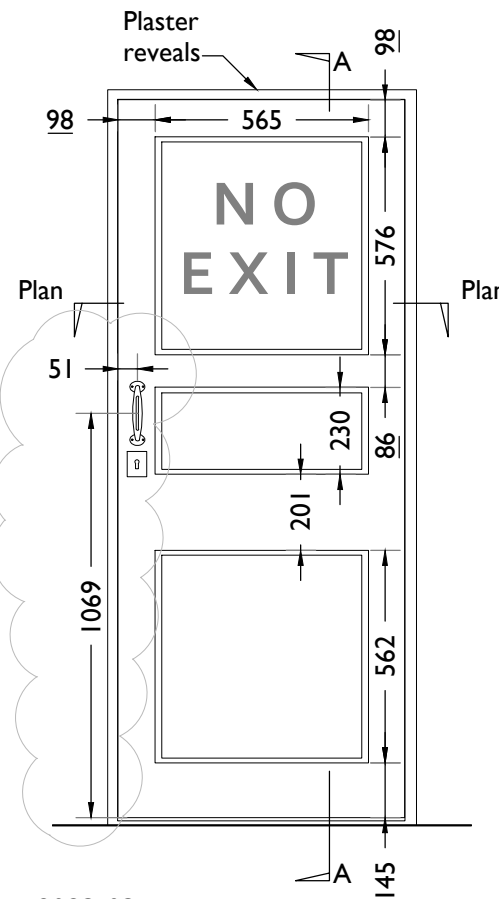
8023-01, Plan, Scale 1:20

8023-06, Section AA Details Scale: 1:2

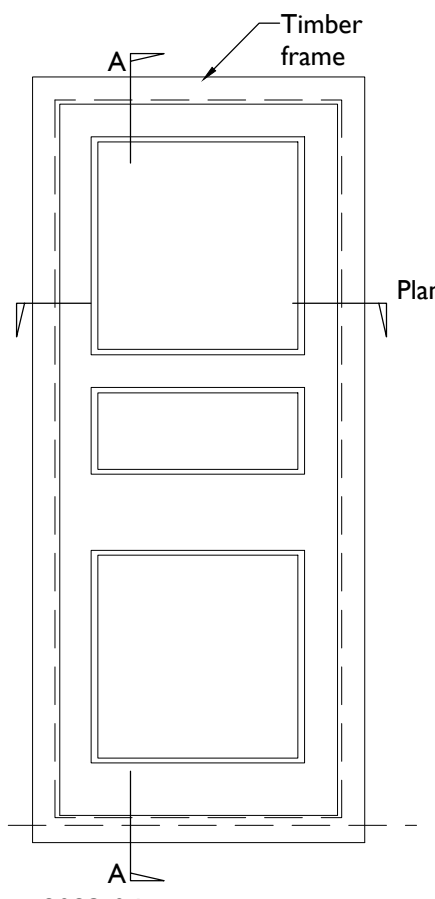
Note: See drawing 8018 for moulding dimensions



8023-02, Section AA Scale: 1:20



8023-03, Elevation viewed from stairwell side Scale: 1:20



8023-04, Elevation viewed from room side Scale: 1:20

Notes:
 Drawings are based on survey data and may not accurately represent what is physically present.
 Do not scale from this drawing. All dimensions are to be verified on site before proceeding with the work.
 All dimensions are in millimeters unless noted otherwise.
 Purcell shall be notified in writing of any discrepancies.

Refer to NBS clause L20 / 290 for replica door joinery spec.
 Refer to NBS clause P21 / 198 for replica door ironmongery spec.

- Timber door with timber panels

T01	10 Jan 2020	RH	RH	Notes moved to spec. Ref notes added.
T00	27 Sep 2019			
First Issue 27 Sep 2019 RH RH				
ISSUE	DATE	DRAWN	CHECKED	DESCRIPTION

CLIENT Lendlease
PROJECT Camden Town Hall

DRAWING TITLE Details of Existing Door Type E21
 This existing door is DEB.73-2

SIZE & SCALE A3L As Noted

DRAWING STATUS WORK IN PROGRESS

JOB NUMBER 238664

DRAWING NO.
 CTH-PUR-XXX-DR-31-A-8023

REVISION T01

