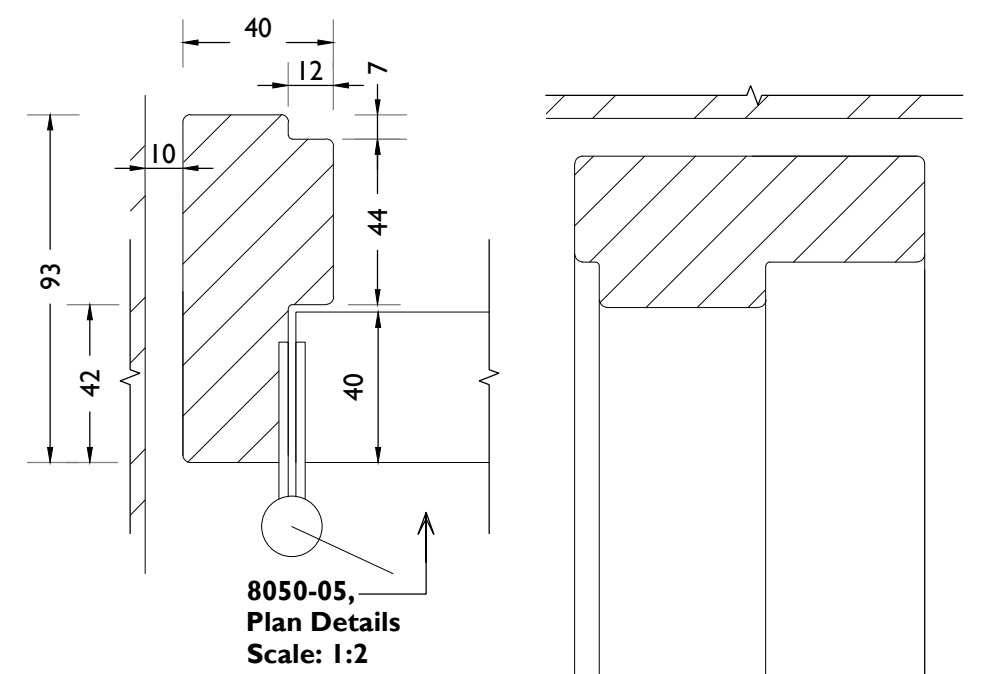
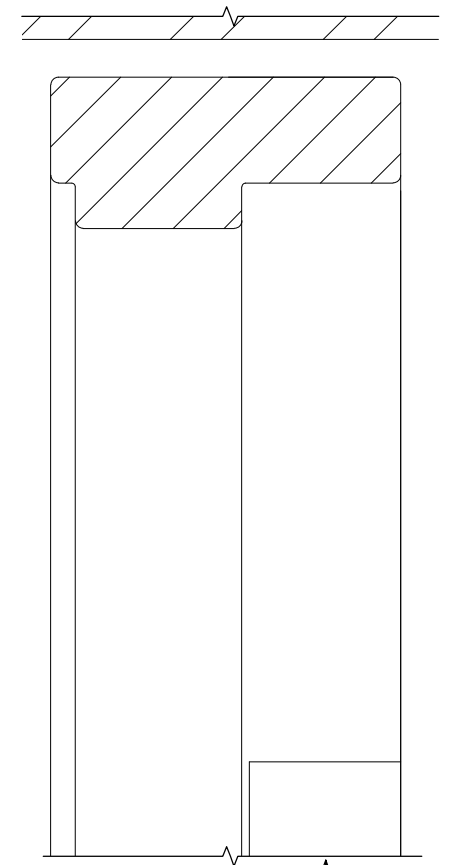


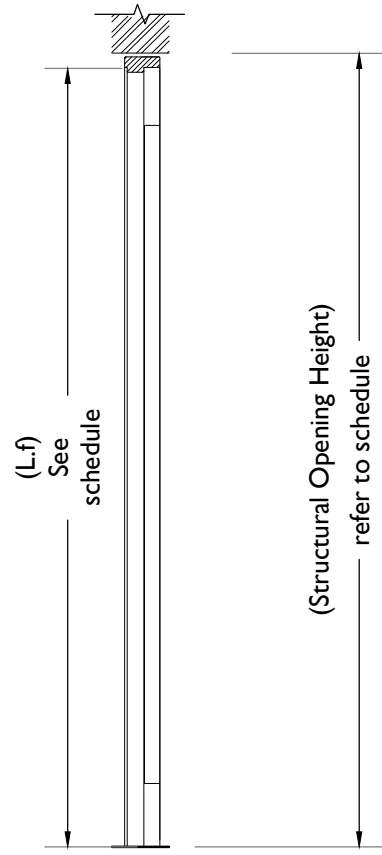
**8050-01,
Plan @ 1:20**



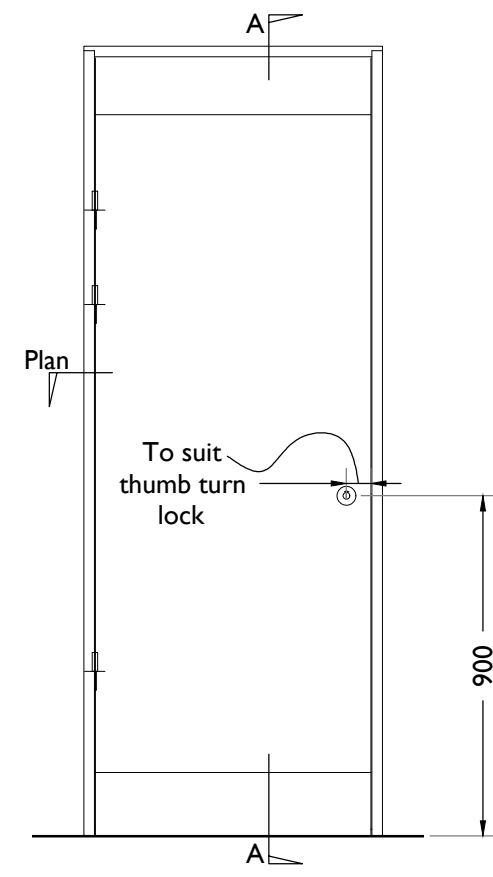
**8050-05,
Plan Details
Scale: 1:2**



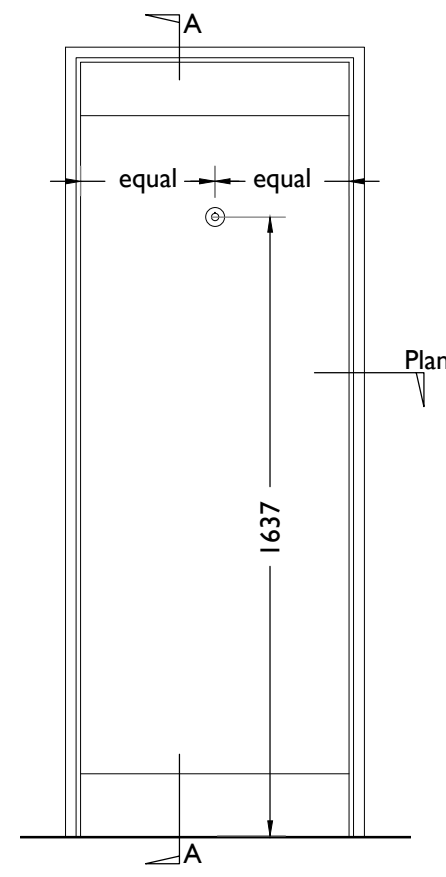
**8050-06,
Section AA
Details
(Head)
Scale: 1:2**



**8050-02,
Section AA
Scale: 1:20**



**8050-03,
View 01
Scale: 1:20**



**8050-04,
View 02
Scale: 1:20**

Notes:
Drawings are based on survey data and may not accurately represent what is physically present.
Do not scale from this drawing. All dimensions are to be verified on site before proceeding with the work.
All dimensions are in millimeters unless noted otherwise.
Purcell shall be notified in writing of any discrepancies.

Refer to NBS clause L20 / 411 for replica door joinery spec.
Refer to NBS clause P21 / 210 for replica door ironmongery spec.

T01	10 Jan 2020	RH	RH	Ironmongery setting out dims added
T00	27 Sep 2019			
First Issue 27 Sep 2019 RH RH				
ISSUE	DATE	DRAWN	CHECKED	DESCRIPTION

CLIENT Lendlease
PROJECT Camden Town Hall

DRAWING TITLE New Door Type N01
Applies to doors such as D3-13-2
SIZE & SCALE A3L As Noted
DRAWING STATUS ISSUED FOR TENDER

JOB NUMBER 238664
DRAWING NO. CTH-PUR-XXX-DR-31-A-8050
REVISION T01

