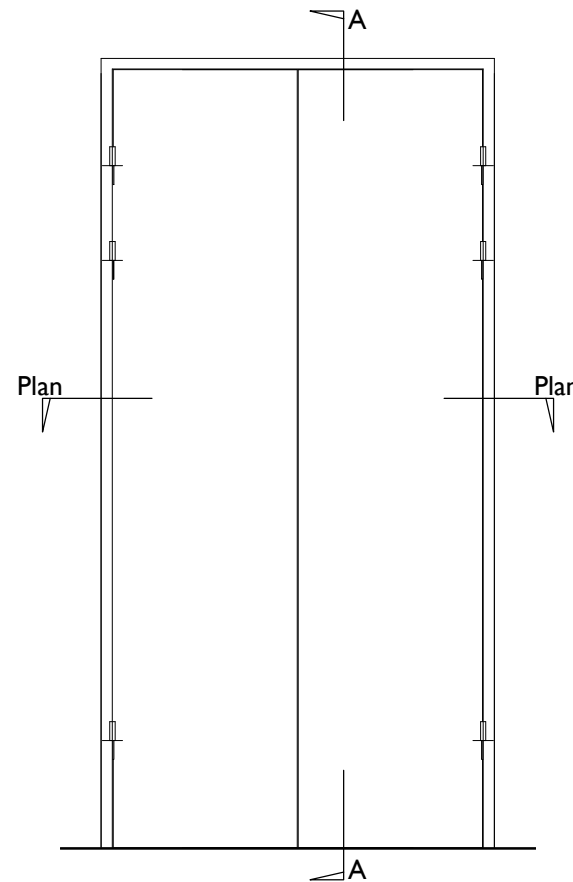
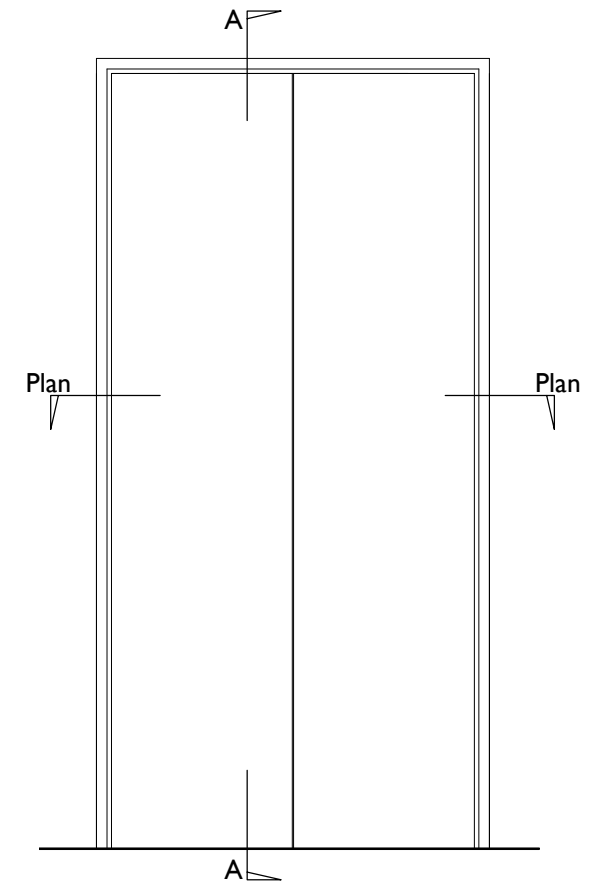


**8055-02, Section AA Scale: 1:20**



**8055-03, View 01 Scale: 1:20**



**8055-04, View 02 Scale: 1:20**

**Notes:**  
 Drawings are based on survey data and may not accurately represent what is physically present.  
 Do not scale from this drawing. All dimensions are to be verified on site before proceeding with the work.  
 All dimensions are in millimeters unless noted otherwise.  
 Purcell shall be notified in writing of any discrepancies.

Refer to NBS clause L20 / 411 for replica door joinery spec.  
 Refer to NBS clause P21 / 215 for replica door ironmongery spec.

Refer to drawing 8061 for typical ironmongery setting out dimensions.

ISSUE	DATE	DRAWN	CHECKED	DESCRIPTION
T01	10 Jan 2020	RH	RH	Ironmongery setting out note added
T00	27 Sep 2019			
	First Issue 27 Sep 2019	RH	RH	

**CLIENT** Lendlease

**PROJECT** Camden Town Hall

**DRAWING TITLE** New Door Type N06  
Applies to doors such as D2-06-1

**SIZE & SCALE** A3L As Noted

**DRAWING STATUS** ISSUED FOR TENDER

**JOB NUMBER** 238664

**DRAWING NO.** CTH-PUR-XXX-DR-31-A-8055

**REVISION** T01

