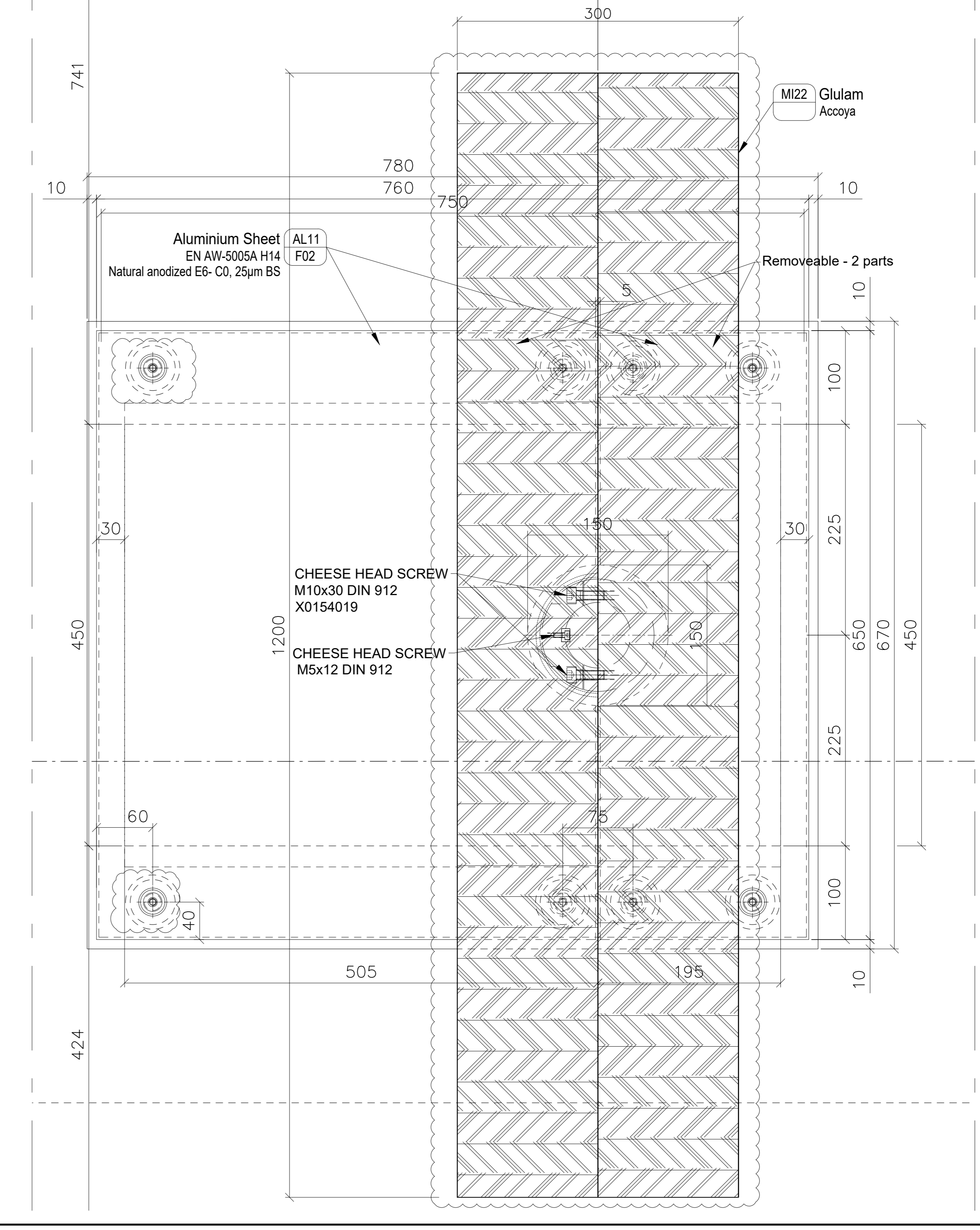
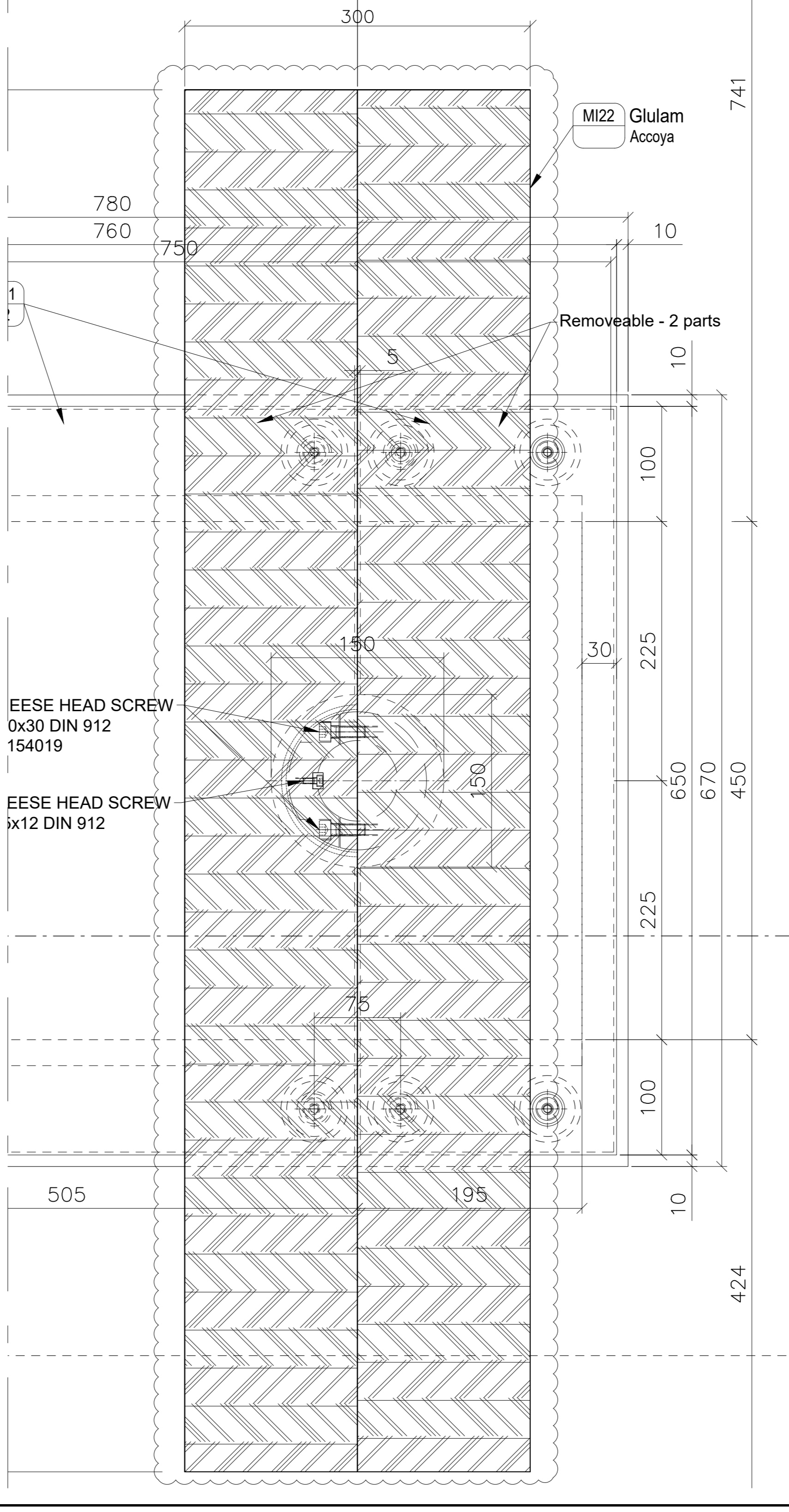
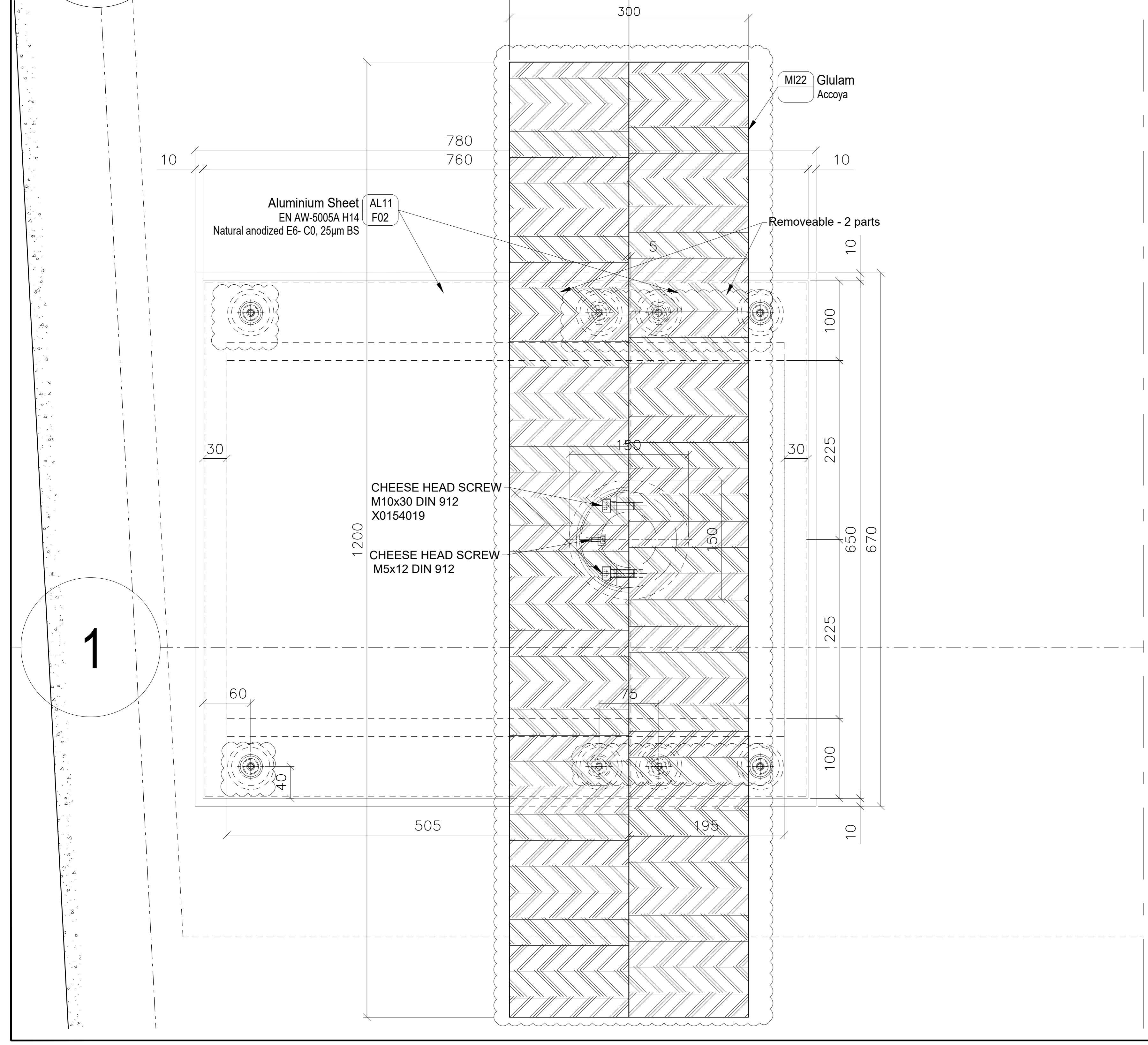
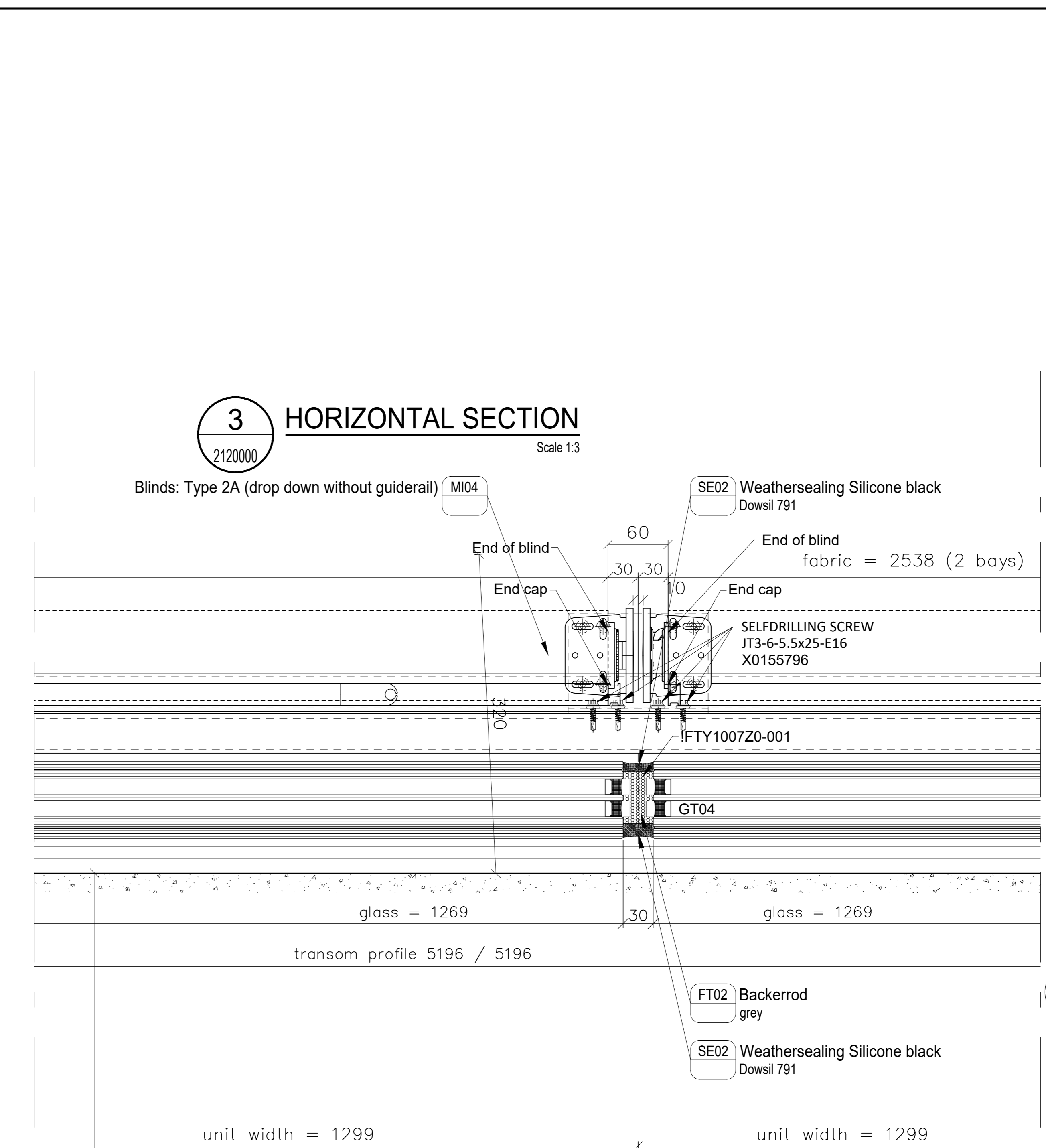
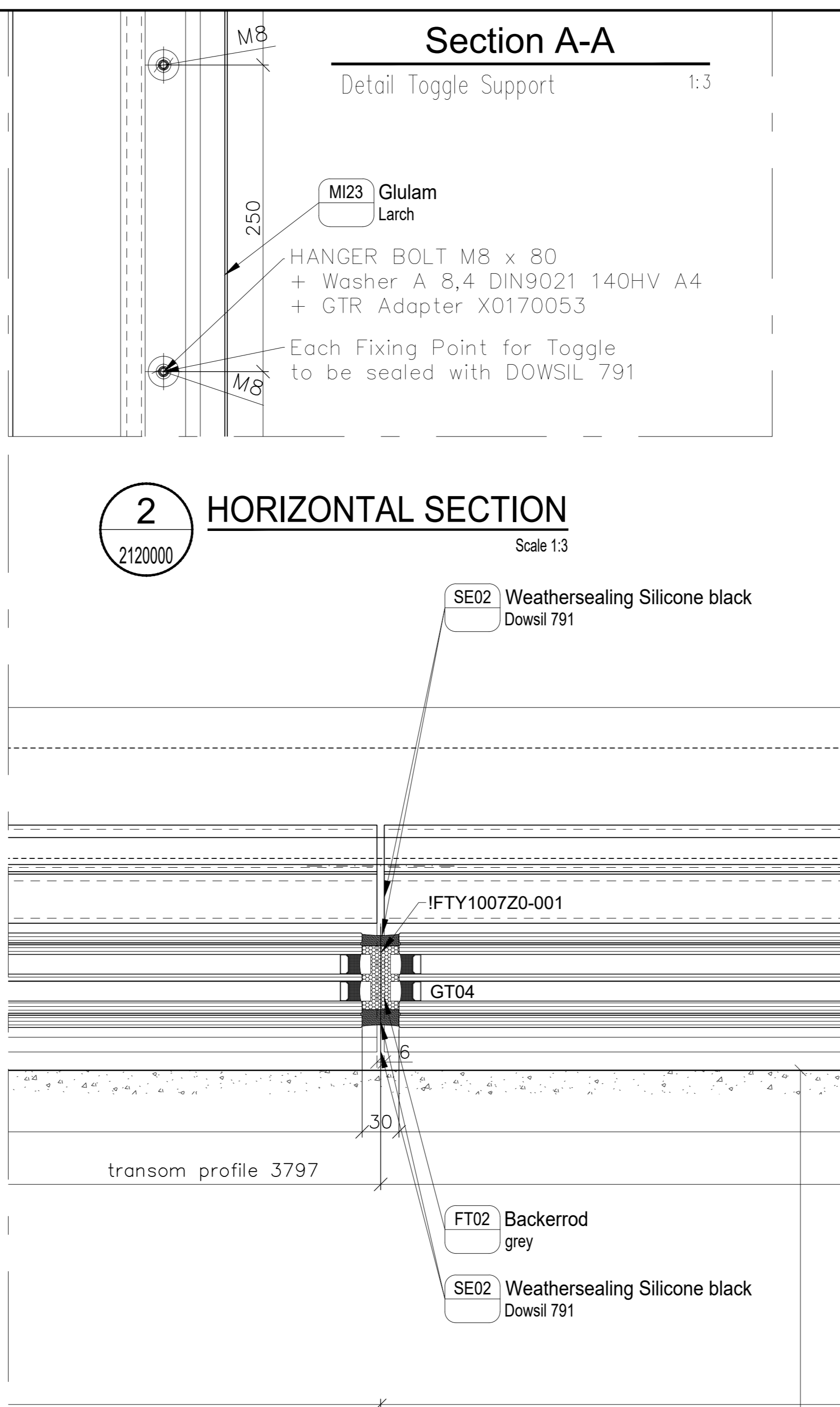
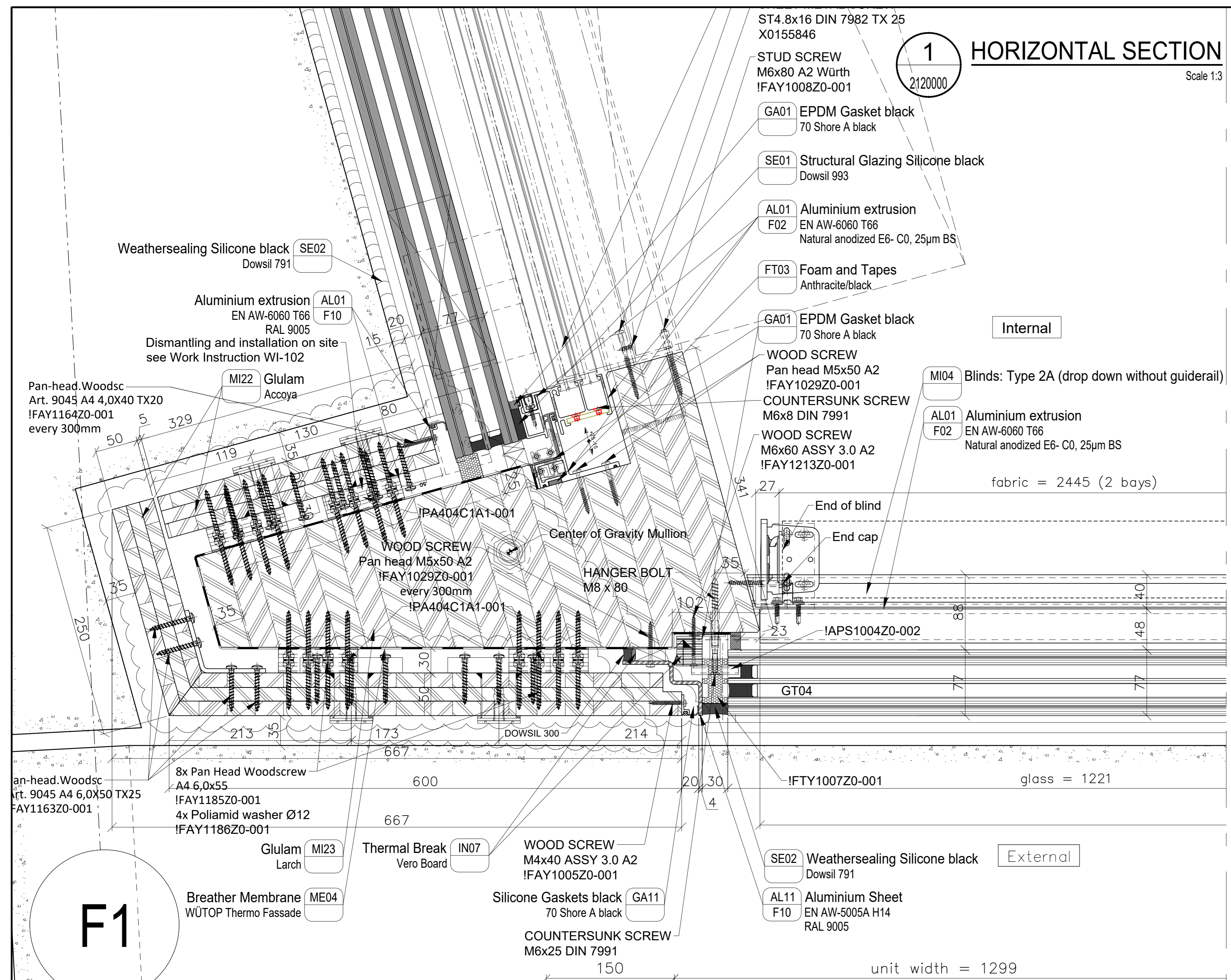


Proprietary Note:
The copyright of this drawing shall remain vested with Josef Gartner GmbH and only those parties who have received an irrevocable, royalty-free, non-exclusive license from Josef Gartner GmbH shall have the right to reproduce this drawing and the contents of the same for any purpose relating to the Contract Works for which it was prepared.

- Josef Gartner general notes:**
- Penetrations through membrane closed by sealing tape
 - Penetrations through profiles and sheets closed by silicone sealing
 - Glulam Larch:
 - glue: Face: Prefere 4546 (Melamine)
 - Block: Prefere 4094 (PRF)
 - Finger-joints: Loctite HB S039 Purbond surface: Induline LW-732 WF
 - Glulam Accoya:
 - glue: Face: Prefere 4040 (PRF)
 - Block: Prefere 4094 (PRF)
 - Finger-joints: Loctite HB S039 Purbond surface: no coating
 - Codes see on material & finish list KXC-A-001-X-GTR-3250-RP30002
 - For glazing system see KXC-A-001-X-GTR-3250-2110025
 - For precast windload bracket see KXC-A-001-X-GTR-3250-2110003
 - For windload & deadload brackets position see KXC-A-001-X-GTR-3250-2110003
 - Lamellas of timber mullion and sacrificial board shown only indicative
- Grills shown only indicative



NO.	REVISION	DATE	BY	CHKD.
1	ISSUE FOR CONSTRUCTION	28/09/17
2
3
4
5
6
7
8
9
10