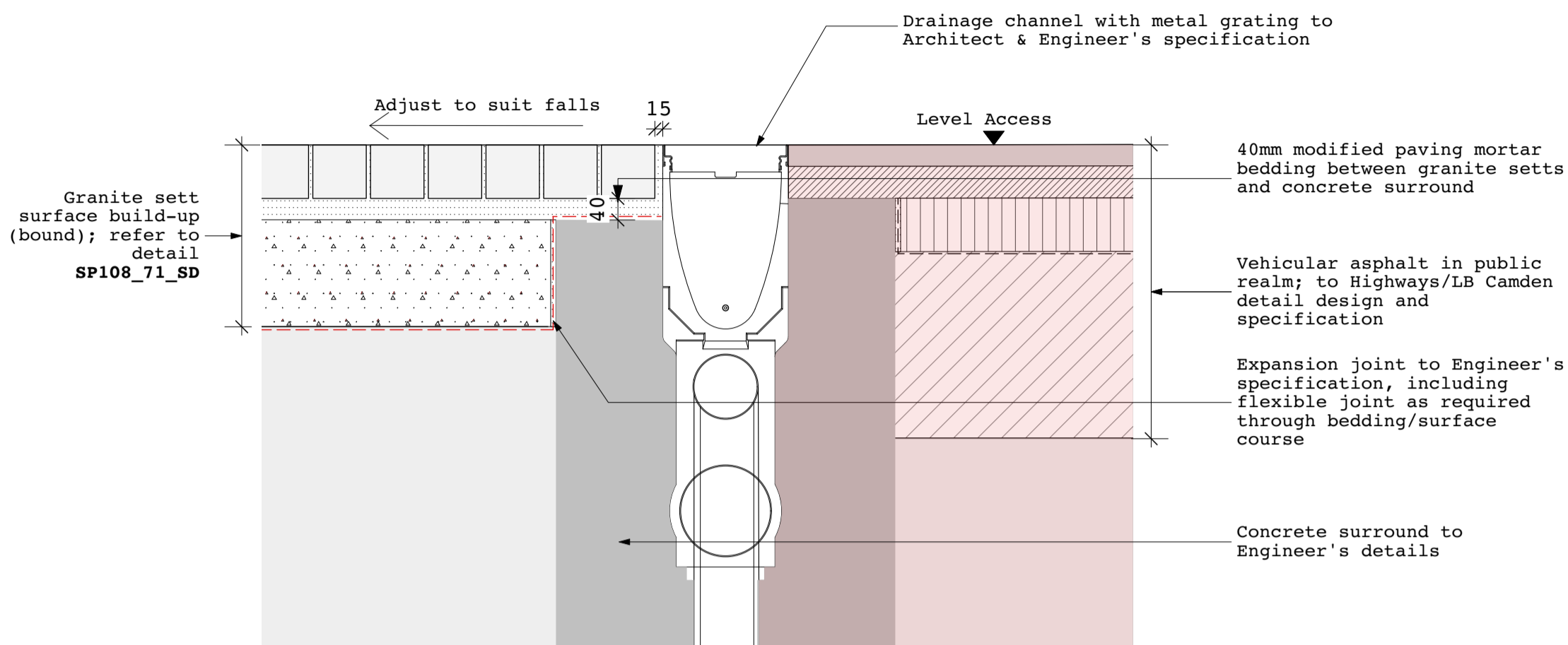


HARD LANDSCAPE EDGE DETAILS: refer to hard landscape plan SP108_04_HL & to relevant engineer's information
DRAINAGE CHANNEL EDGE DETAILS

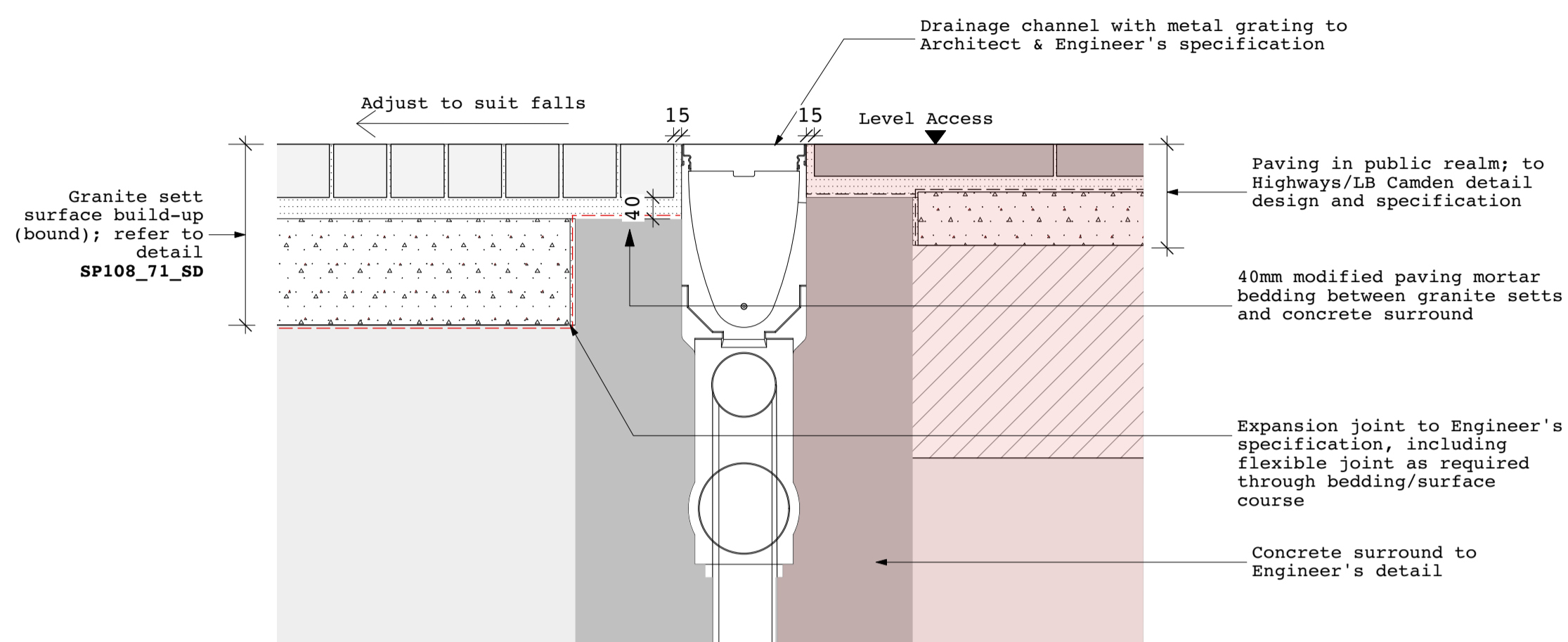
Drainage edges - ED6
 [Granite setts - Vehicular asphalt]

- Location: Entrances to public central landscape
- Material: Concrete channel drain with metal edging to Engineer's specification
- Finish: Grating to Architect's specification



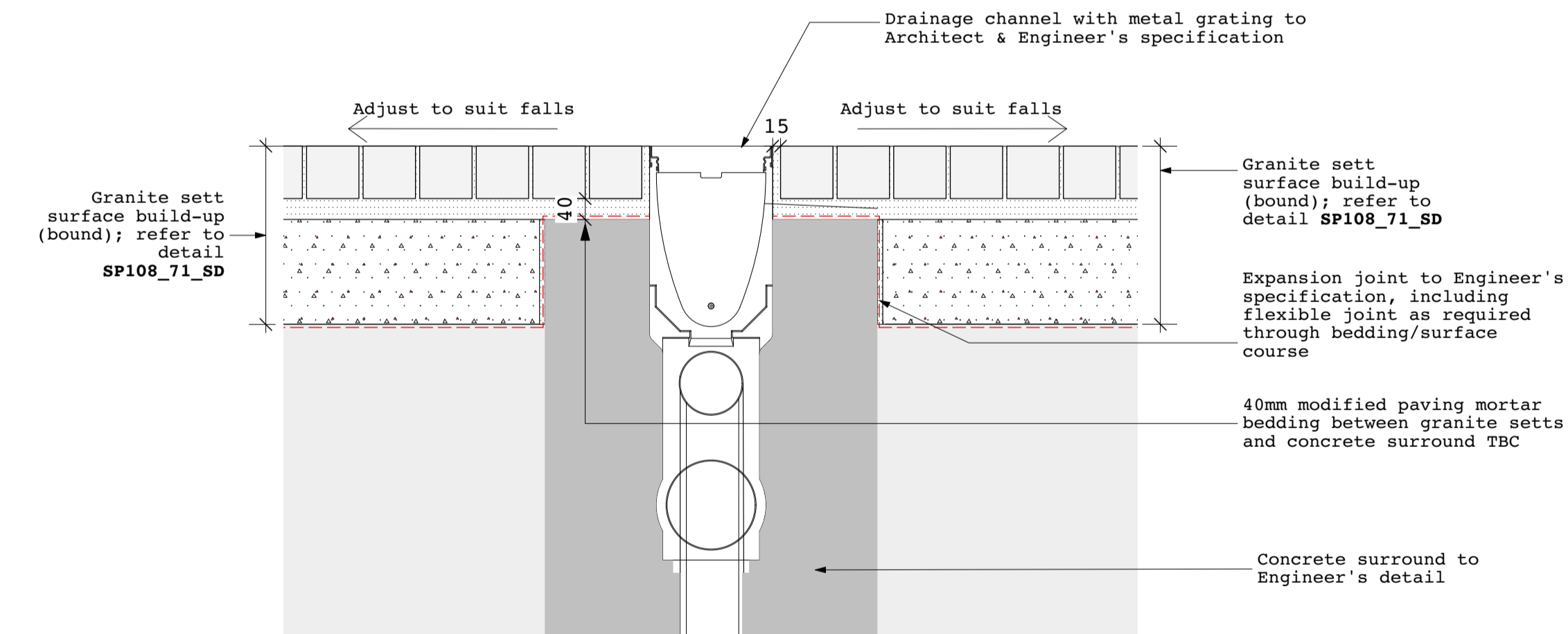
Drainage edges - ED8
 [Granite setts - Public realm paving]

- Location: Entrances to public central landscape
- Material: Concrete channel drain with metal edging to Engineer's specification
- Finish: Grating to Architect's specification



Drainage edges - ED9
 [Granite setts - granite setts]

- Location: Public central landscape
- Material: Concrete channel drain with metal edging to Engineer's specification
- Finish: Grating to Architect's specification



For surfaces key and areas, refer to hard landscape plan: SP108_04_HL

© JCLA
 Do not scale from this drawing. Any discrepancies or queries should be brought to the attention of the authors. Dimensions are to be verified on site prior to construction.
 All existing site, tree and building information has been compiled from different sources.
 Refer to current revisions of all referenced files.

Notes:

- Sub-base build-ups (where not above basement) are to engineer's specifications, based on the assumption that the CSR value is 2.0, subject to confirmation by the contractor on site
- For surfaces key and areas, refer to hard landscape plan: SP108_04_HL
- For edge detail ED07 refer to SP108-72-ED-2

Key:

Public realm surfaces & build-up to detail design by LB Camden according to S106/S278 agreement.

Rev	Date	Description
T1	18.02.22	New drawing

JCLA
 Jonathan Cook Landscape Architects Ltd
 3A Iliffe Yard
 LONDON SE17 3QA
 Tel +44 (0)207 703 3270
 www.jcla.co.uk

Client
 W.RE

Project
 SP108: St Pancras Commercial centre

Drawing Title
 Drainage channel edge detail

Drawing Number
 SP108-72-ED-3

Date 18.02.22	Revision T1
Scale (8 A1) 1:10	Drawing Status Stage 4