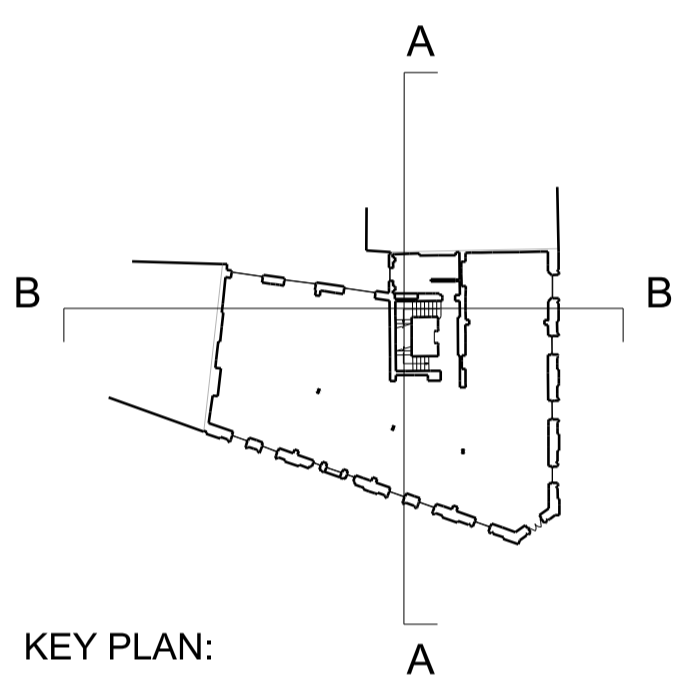
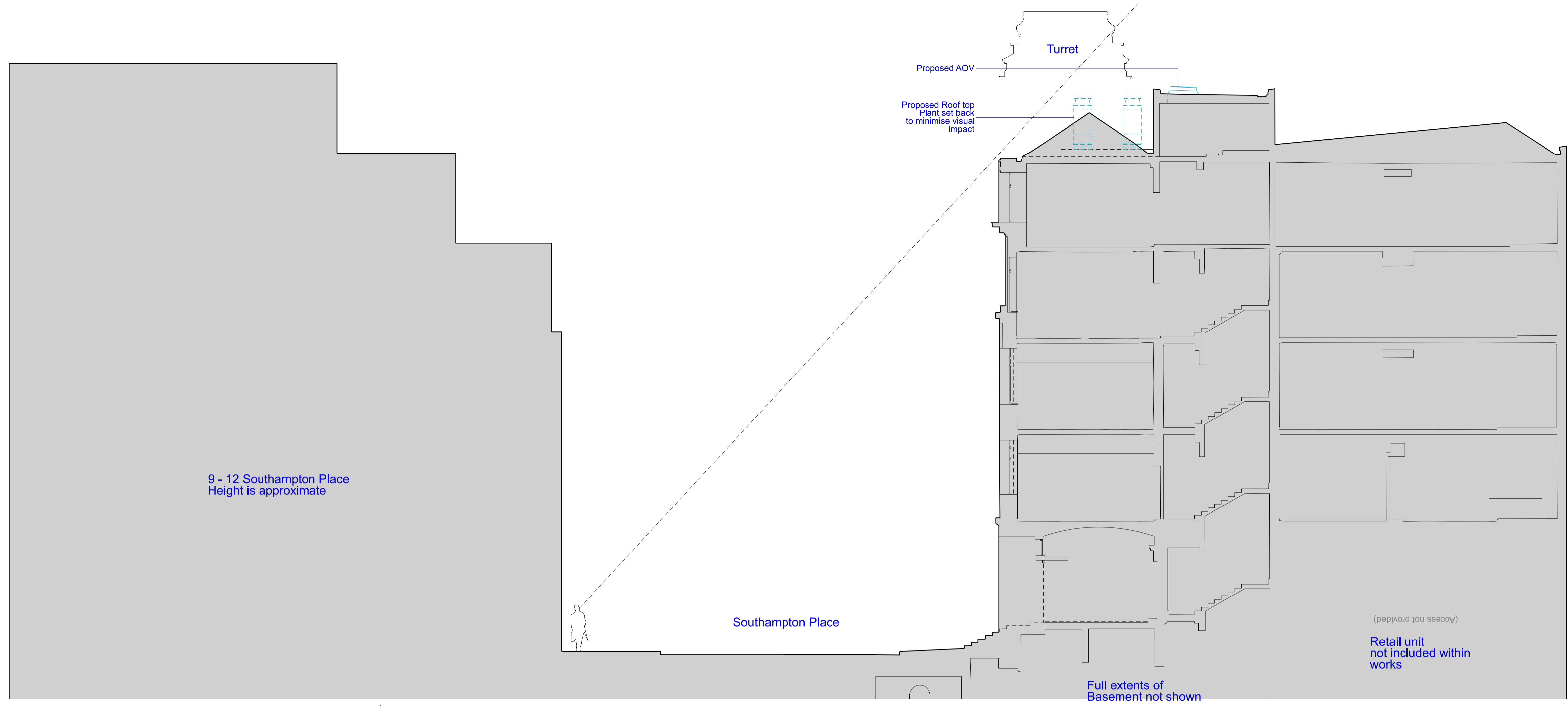
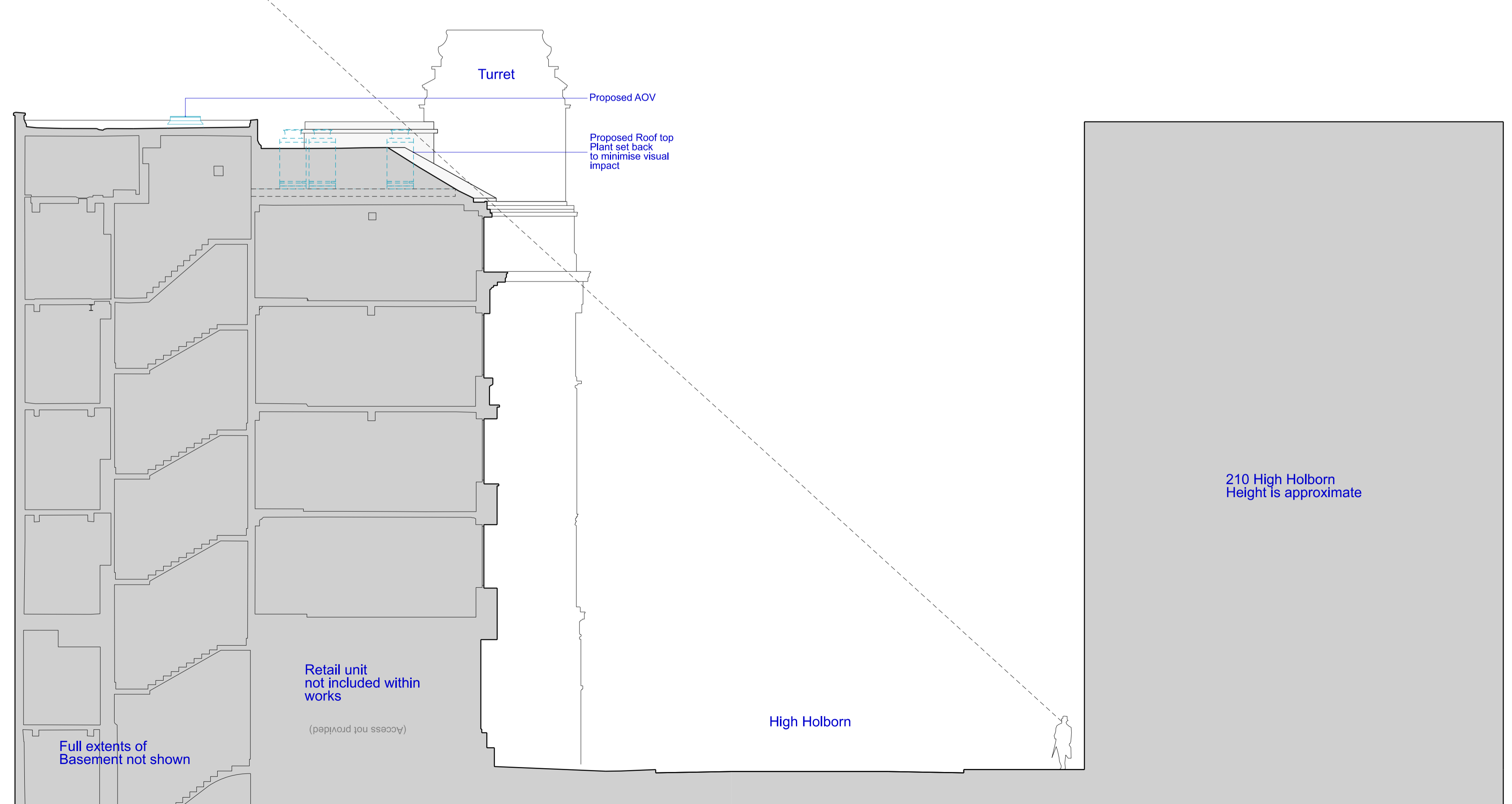


NOTES
 DO NOT SCALE FROM THIS DRAWING.
 CONTRACTOR TO CHECK ALL DIMENSIONS ON SITE.
 ANY DISCREPANCIES TO BE REPORTED TO THE ARCHITECT IMMEDIATELY.
 COPYRIGHT MICA ARCHITECTS LTD ©
 Text

----- Proposed



Section BB - Plant
 01 710-19213



Section AA - Plant
 02 710-19213

REVISIONS

REV	DATE	DESCRIPTION

KEY PLAN

STATUS
 PLANNING

MICA
 123 Camden High Street London NW1 7JR
 T: 020 7284 1727 F: 020 7267 7626
 info@micaarchitects.com www.micaarchitects.com

JOB
NORFOLK HOUSE
 13 Southampton Place
 Holborn

TITLE
Proposed
 Section A-A & BB
 Roof Top Plant Layout

DRG #
710-MICA-NH-AA-DR-A-19213 PL1

CHECKED	DRAWN	SCALE	SIZE	REV/DATE
GM	RM	1:100	A1	25.01.22