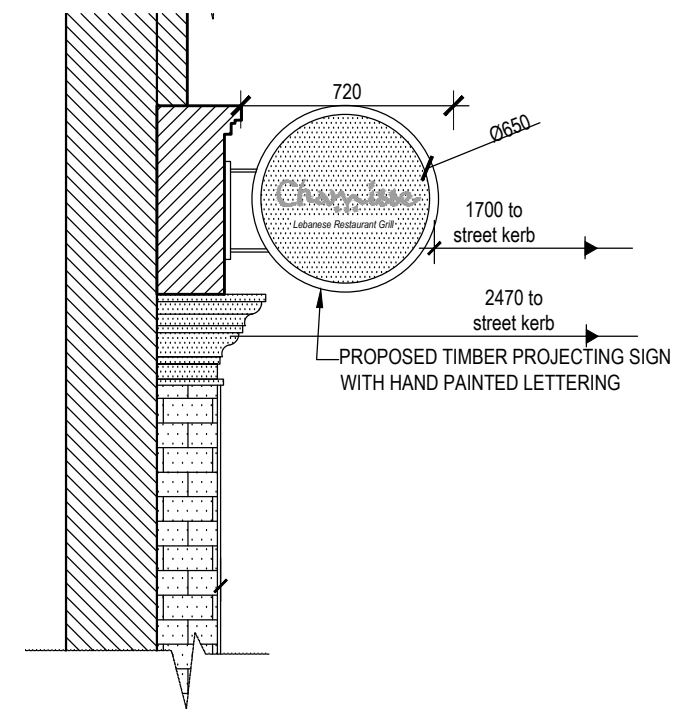
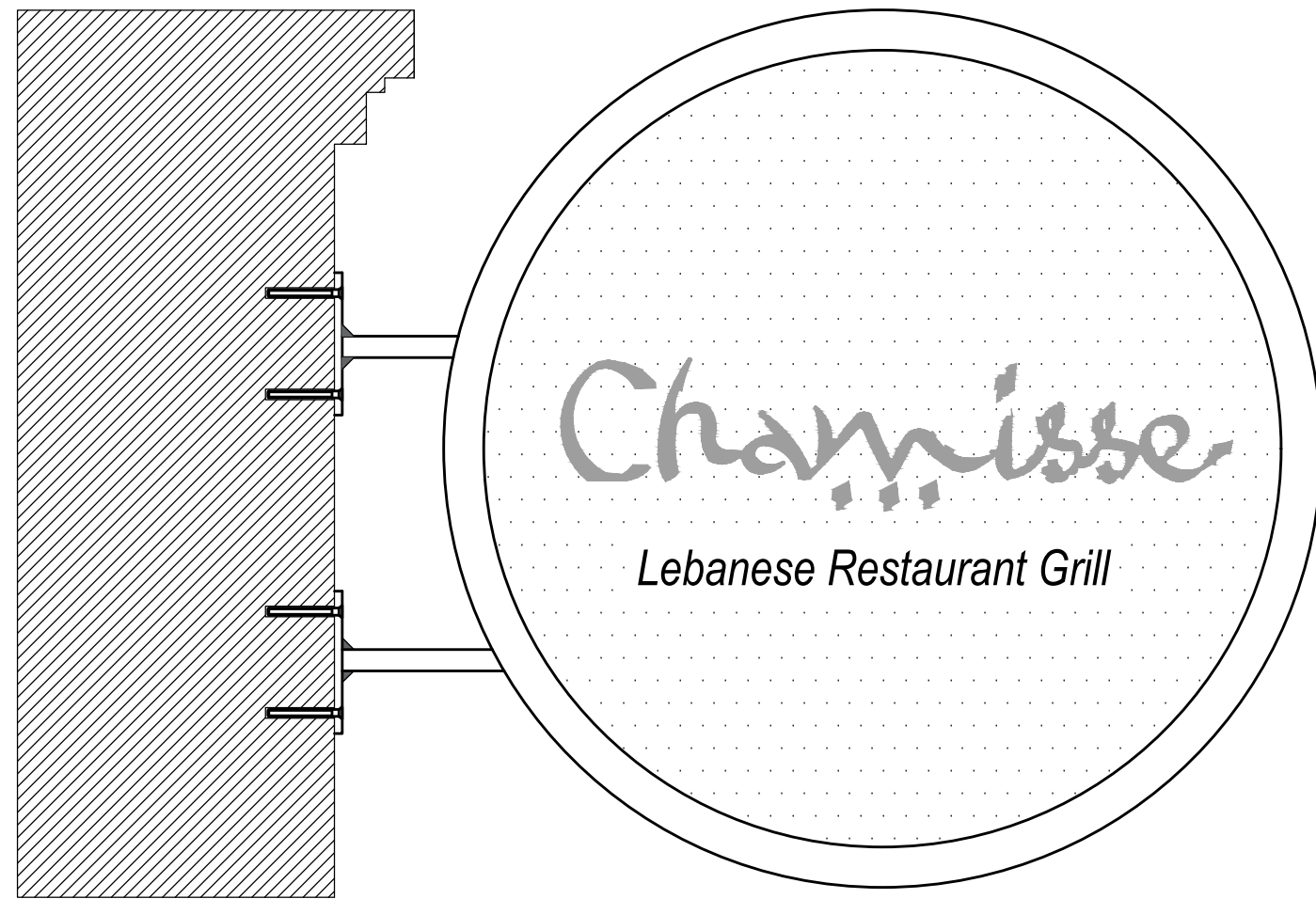


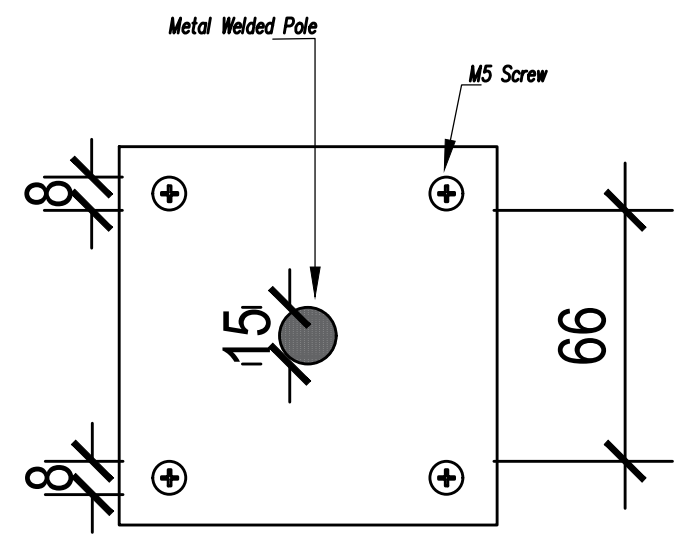
© This drawing remains the property of Siraf Associates and should not be reproduced whether hard copy or electronic without express permission from Siraf Associates.

**GENERAL NOTES**

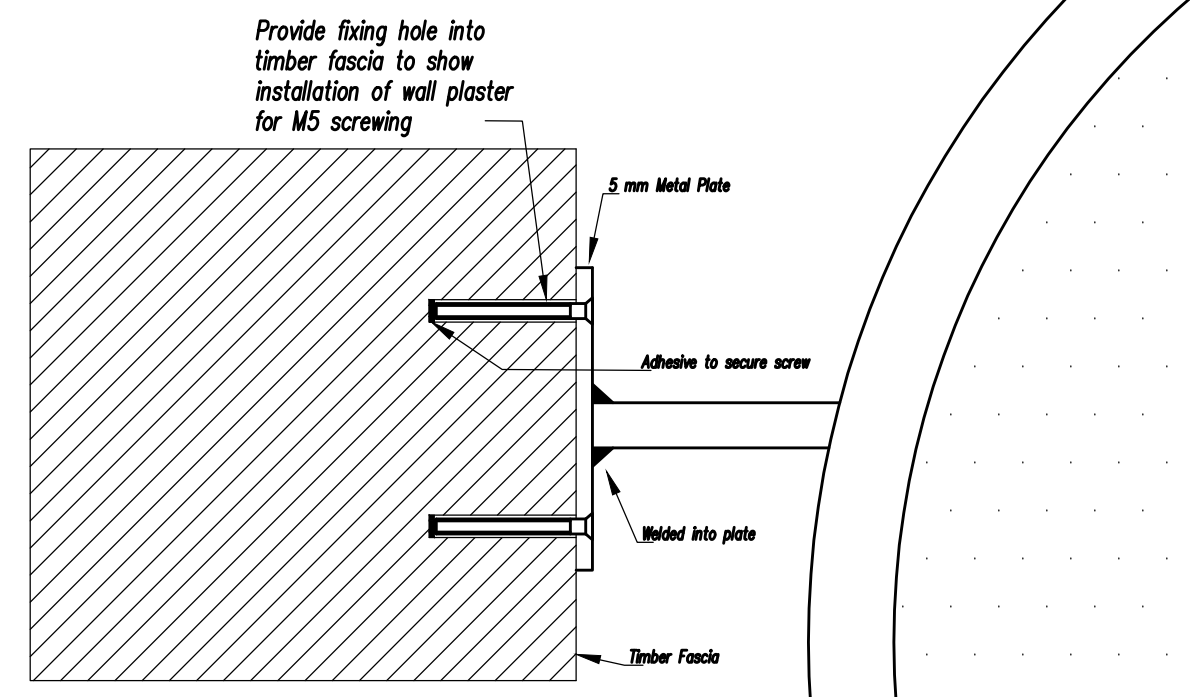
1. Contractor must verify all dimensions on site before commencing any work or shop drawings.
2. If this drawing exceeds the quantities taken in any way the Architects are to be informed before the work is initiated.
3. Only figured dimensions are to be taken from this drawing. Do not scale off this drawing. For dimensions that are not given, the Architects' agreement/clarification is to be sought before any work commences.
4. Design and drawing content is subject to Site Survey, Structural Survey, Site Investigations, Planning and Statutory Requirements and Approvals.
5. All workmanship and materials to be installed and carried out in accordance with latest and relevant British Standards as a minimum acceptable standard.
6. The Contractor is to check this drawing for errors and/or inconsistencies and inform the Architect immediately or seek clarification where there is any doubt as to the meaning and interpretation of the information provided.
7. Any discrepancy on the drawings General Arrangements, detail drawings or other contractor immediately to contact architect before any job started.





OVERALL FIXING DETAIL  
1:5 @ A3



METAL PLATE ELEVATION  
1:2 @ A3



FIXING DETAIL  
1:2 @ A3

Rev	Date	Description	By	Ch
<p><b>SIRAF ASSOCIATES Ltd</b> Chartered Architects Practice</p> <p><b>RIBA</b> </p> <p>Edgo House 186, Sloane Street London SW1X 9QR</p> <p>Tel + 44 (0) 208 617 3944 Mob + 44 (0) 77 4899 1942 E-mail: info@sirafassociates.com</p> <p></p>				
<p>Project: <b>55 GRAYS INN ROAD</b> LONDON WC1X 8PP</p>				
<p>Title: <b>PLANNING DRAWINGS</b> <b>FIXING DETAILS</b></p>				
Scale: AS INDICATED ON PLAN		Drawn by: EM		
Initial Date: 08.11.19		Checked by: FN		
Drawing No: 55 GIR - FD01		Rev: A		