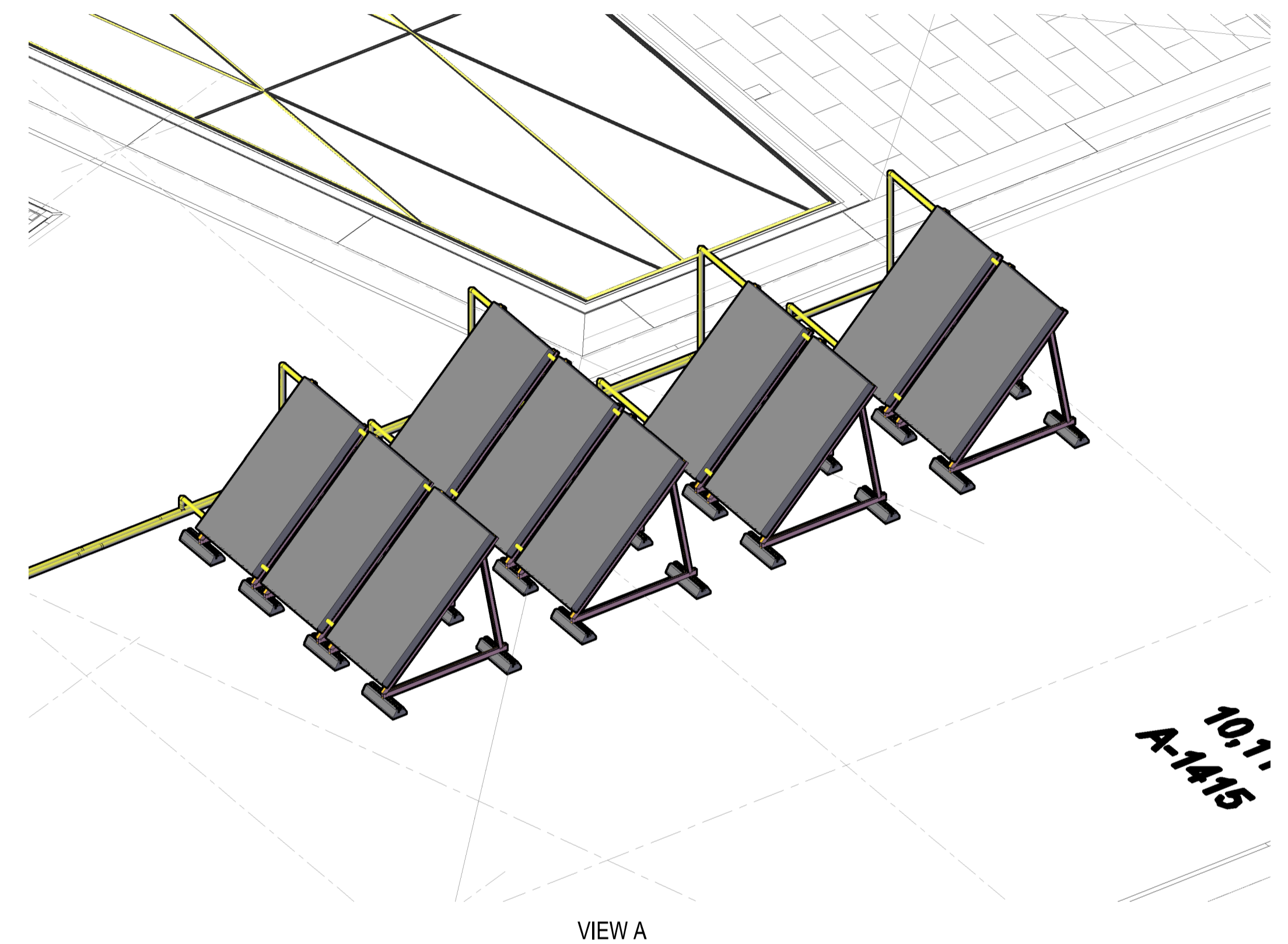
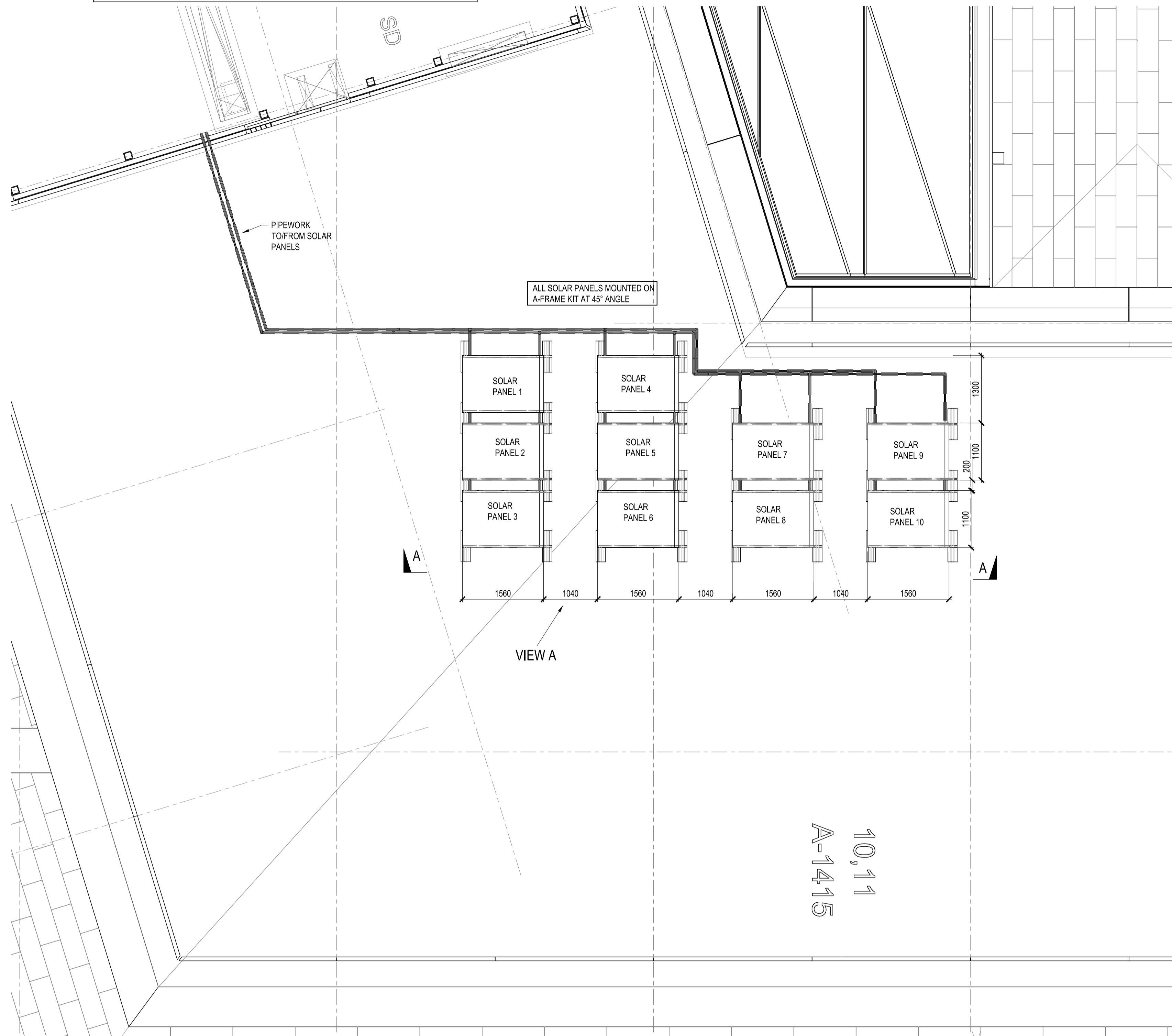


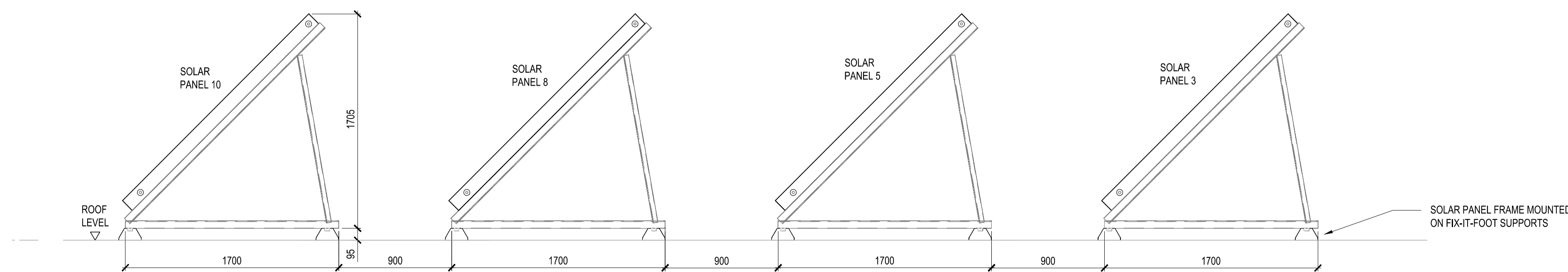
FOR CONTINUATION REFER TO DRAWING No. 8555-MALA-PR-RF-DR-X-7104

DO NOT SCALE FROM THIS DRAWING.
ALL DIMENSIONS TO BE CHECKED ON SITE.

- NOTES:
1. THIS DRAWING IS TO BE READ IN CONJUNCTION WITH THE ARCHITECTS AND STRUCTURAL ENGINEERS DRAWINGS AND WITH THE PROJECTS SCHEDULES AND SPECIFICATIONS.
 2. THIS DRAWING IS TO BE READ IN CONJUNCTION WITH THE RELEVANT DETAILS AND SCHEMATICS.



10.11
A-1415



SECTION A-A
(Scale 1:25)

Date	Description	Rev
07-02-2022	ISSUED FOR APPROVAL	C00
18-11-2021	ISSUED FOR APPROVAL	P00

CONTRACT
Stephenson House

TITLE
Residential Block
Roof Level
Solar Panel Layout

ARCHITECT
Marks Barfield Architects
CONSULTANT
GLP

MALA 9 Hewett Street
London EC2A 3NN
Tel: 0207 456 1200
Fax: 0207 456 1201
Email: mala@mala.co.uk

Drawing Status
ISSUED FOR CONSTRUCTION

SCALE 1:50 @ A1 DRAWN CAD DATE 18/11/21
DRG No. 8555-MALA-PR-RF-DR-X- 7110 P01