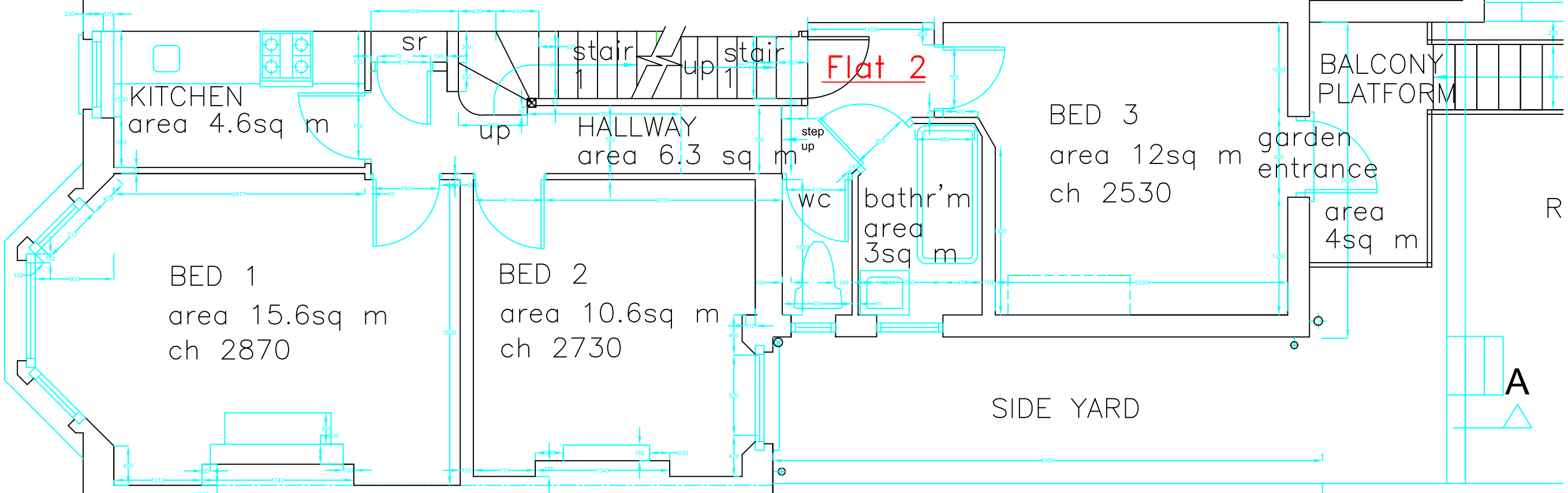


no. 85
no. 87
no. 89

3 storey
terrace
property

2 storey
rear
extension

flat roof



3 storey
terrace
property

3 storey
rear
extension

pitched
roof

87 CONSTANTINE ROAD, BELSIZE, LONDON NW3 2LP EXISTING - FIRST FLOOR / SITE LAYOUT PLAN FLAT 2

© PMRCA E-21 Revision 1

