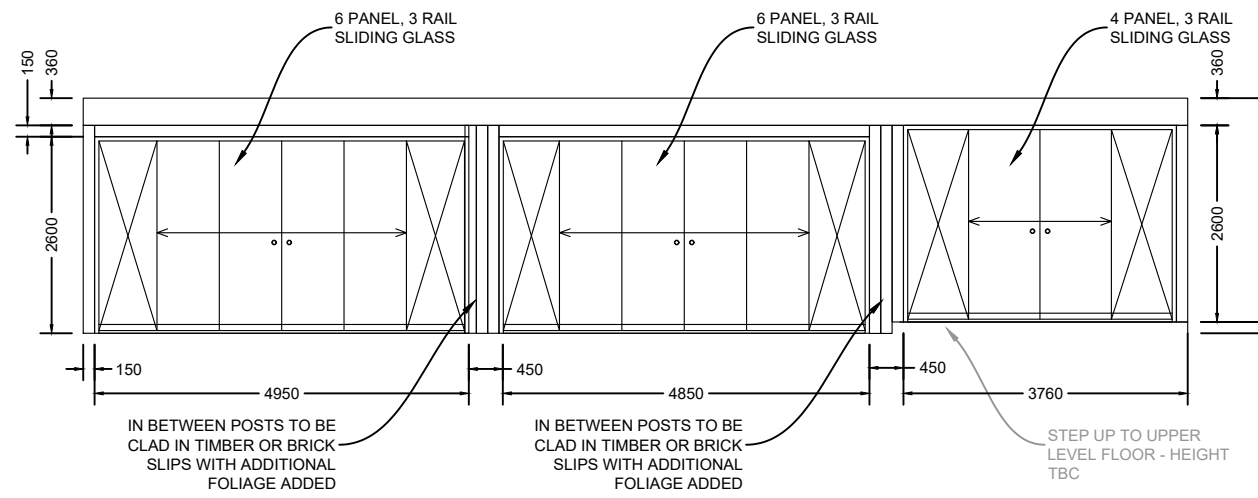
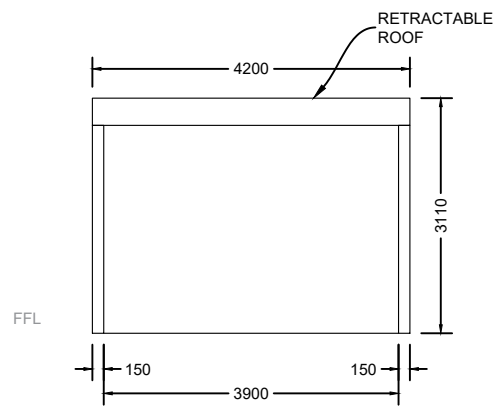
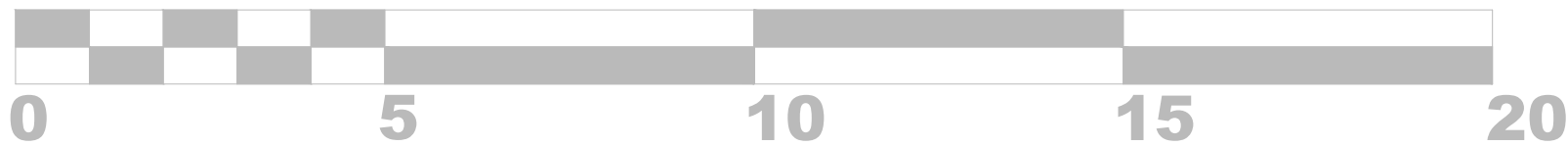


Pergola overview



Proposed Side Elevations
1:100

SCALE BAR 1:100



| Description | Date | |
|----------------------------------|---|----------|
| RTSAN | | |
| ricci@rt-san.com 07753 231265 | | |
| Site Address: | THE ENGINEER 65 GLOUCESTER AVENUE LONDON NW1 8JD | |
| Drawing Title: | EXTERNAL STRUCTURES | |
| Client Name: | M&B | |
| Project | Scale | Date |
| DT168 | 1:100@A3 | 24.01.22 |
| Revision | Drawing No. | Drawn By |
| A | 09 | RFT |