

M-Fab

CE

ME3000

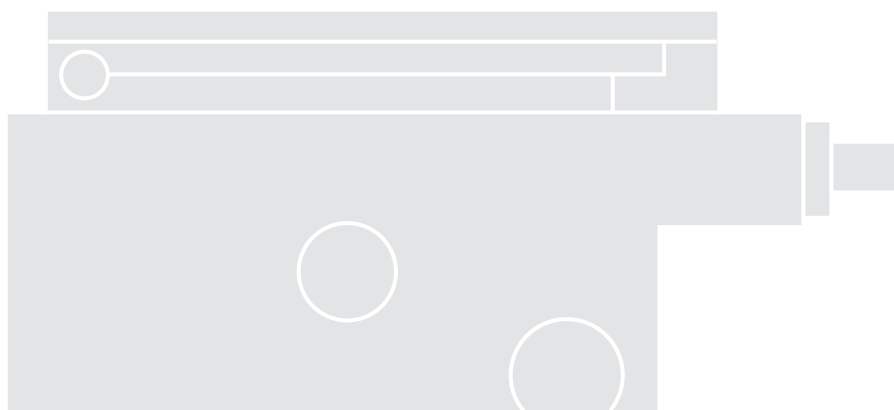
ME3010

ME3000L

ME3000/110

ME3024

ME3024HS



Swing gate opener

EN - Instructions and warnings for installation and use

IT - Istruzioni ed avvertenze per l'installazione e l'uso

FR - Instructions et avertissements pour l'installation et l'utilisation

ES - Instrucciones y advertencias para la instalación y el uso

DE - Installierungs-und Gebrauchsanleitungen und Hinweise

PL - Instrukcje i ostrzeżenia do instalacji i użytkowania

NL - Aanwijzingen en aanbevelingen voor installatie en gebruik

Nice

1 GENERAL SAFETY WARNINGS AND PRECAUTIONS

1.1 - Warnings

This manual contains important information regarding safety. Before you start installing the components, it is important that you read all the information contained herein. Store this manual safely for future use. • Due to the dangers which may arise during both the installation and use of the M-FAB, installation must be carried out in full respect of the laws, provisions and rules currently in force in order to ensure maximum safety. This chapter provides details of general warnings. Other, more specific warnings are detailed in Chapters "2.1 Preliminary Checks" and "5 Testing and Commissioning".

According to the most recent European legislation, the production of automatic doors or gates is governed by the provisions listed in Directive 98/37/CE (Machine Directive) and, more specifically, to provisions: EN 12445, EN 12453 and EN 12635, which enable manufacturers to declare the presumed conformity of the product.

Please access "www.niceforyou.com" for further information, and guidelines for risk analysis and how to draw up the Technical Documentation.

- This manual has been especially written for use by qualified fitters. Except for the enclosed specification "Instructions and Warnings for Users of the M-FAB gearmotor" which is to be removed by the installer, none of the information provided in this manual can be considered as being of interest to end users!
- Any use or operation of M-FAB which is not explicitly provided for in these instructions is not permitted. Improper use may cause damage and personal injury.
- Risk analysis must be carried out before starting installation, to include the list of essential safety requisites provided for in Enclosure I of the Machine Directive, indicating the relative solutions employed.

WARNING! – Risk analysis is one of the documents included in the "Technical Documentation" for this automation.

- Check whether additional devices are needed to complete the automation with M-FAB based on the specific application requirements and dangers present. The following risks must be considered: impact, crushing, shearing, dragging, etc. as well as other general dangers.
- Do not modify any components unless such action is specified in this manual. Operations of this type are likely to lead to malfunctions. NICE disclaims any liability for damage resulting from modified products.
- During installation and use, ensure that solid objects or liquids do not penetrate inside the control unit or other open devices. If necessary, please contact the NICE customer service department; the use of M-FAB in these conditions can be dangerous.
- The automation system must not be used until it has been commissioned as described in chapter 5: "Testing and commissioning".
- The packing materials of M-FAB must be disposed of in compliance with local regulations.
- If a fault occurs that cannot be solved using the information provided in this manual, refer to the NICE customer service department.
- In the event that any automatic switches are tripped or fuses blown, you must identify the fault and eliminate it before resetting the switches or replacing fuses.
- **Before accessing the M-FAB connection terminals, disconnect all power circuits.** If the disconnection device is not identifiable, post the following sign on it: "WARNING: MAINTENANCE WORK IN PROGRESS".

2 DESCRIPTION OF THE PRODUCT AND ENVISAGED USE

M-FAB is a gearmotor designed for the automation of single-leaf or double-leaf gates. **WARNING! – Any applications other than those described above or under different conditions from those specified in this manual are forbidden.**

M-FAB operates with electric power. In the event of a power failure, the gearmotor can be released using suitable keys in order to move the leaves manually.

3 INSTALLATION

3.1 - Preliminary Checks

Before proceeding with the installation, make sure that the structure is suitable and that it complies with the regulations in force. In particular, you need to make sure that: • there are no points of friction in the opening and closing travel of the gate; • the gate is well balanced, i.e., once it is stopped in any position it should not show a tendency to start moving again; • the gate opens and closes smoothly and noiselessly; • the area selected for gearmotor installation enables easy and safe manual manoeuvring; • check the integrity of the package; • make sure that the mounting area is compatible with the dimensions of the box (**fig.1**); • provide a closing strike and, if possible, also an opening strike.

WARNING! – Please keep in mind that M-FAB is designed to drive an efficient, safe gate (with one or two leaves), and is not intended to make up for defects resulting from improper installation or poor maintenance.

3.2 - Operating Limits

The shape and height of the gate (e.g. blind) and the weather conditions (e.g. strong winds) may significantly reduce the values shown in the **Graph A**.

Note – If any of the gate leaves is wider than 2.5 metres, we recommend the installation of an electric lock (PLA10 or PLA11).

3.3 - Mounting

3.3.1 - Overall Dimensions and Positioning of Foundation Box

1. Excavate the foundation hole based on the overall dimensions; provide good drainage in order to prevent water stagnation.
2. Fasten the accessory for the opening limit switch to the box, carefully observing the directions and measurements shown in the **fig. 6** to avoid incorrect installation.
3. Place the box inside the foundation hole; the stud must be aligned with the axis of the hinge (**fig. 2**).
4. Provide a duct for the electrical cables and a drainage pipe.
5. Bury the foundation box in concrete, making sure it is set level.
6. Mount the control bracket on the box's stud along with the ball.
7. Set the gate leaf on the release lever and weld them securely.
8. Grease using a suitable grease nozzle.

3.3.2 - Installation of M-FAB Gearmotor

1. Remove the nuts and washers shown in the **fig. 3**.
2. Place the gearmotor inside the foundation box making sure it faces the correct direction.
3. Slide the bracket for the closing limit switch into the appropriate hole (**fig. 6**).
4. Secure the gearmotor using the grower washers and the 4 self-locking nuts found in the accessories box.
5. Connect the gearmotor to the gate by means of the connecting lever (2) (**fig. 4**).

3.4 - Typical System (see fig. 5)

- 1 = Photocell post
- 2 = Pair of opening stops
- 3 = 230V line
- 4 = Control panel (electrical panel)
- 5 = Aerial
- 6 = Flashing light
- 7 = Photocell
- 8 = Box with M-FAB actuator
- 9 = Vertical electric lock
- 10 = Key-operated selector switch or digital keypad
- 11 = Connector block (not supplied)

4 ELECTRICAL CONNECTIONS

4.1(a) - For **ME3000** and **ME3010** connect the cables as follows:

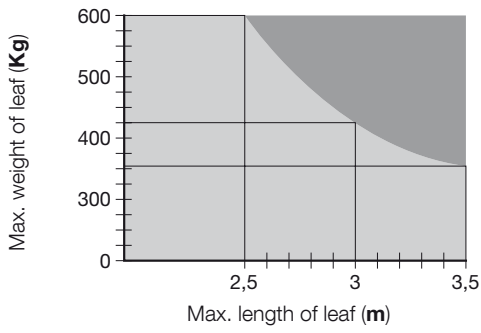
- Black** = "open" phase
- Brown** = "close" phase
- Blue** = Common
- Yellow/Green** = ⊕

4.1(b) - For **ME3024** connect the cables as follows:

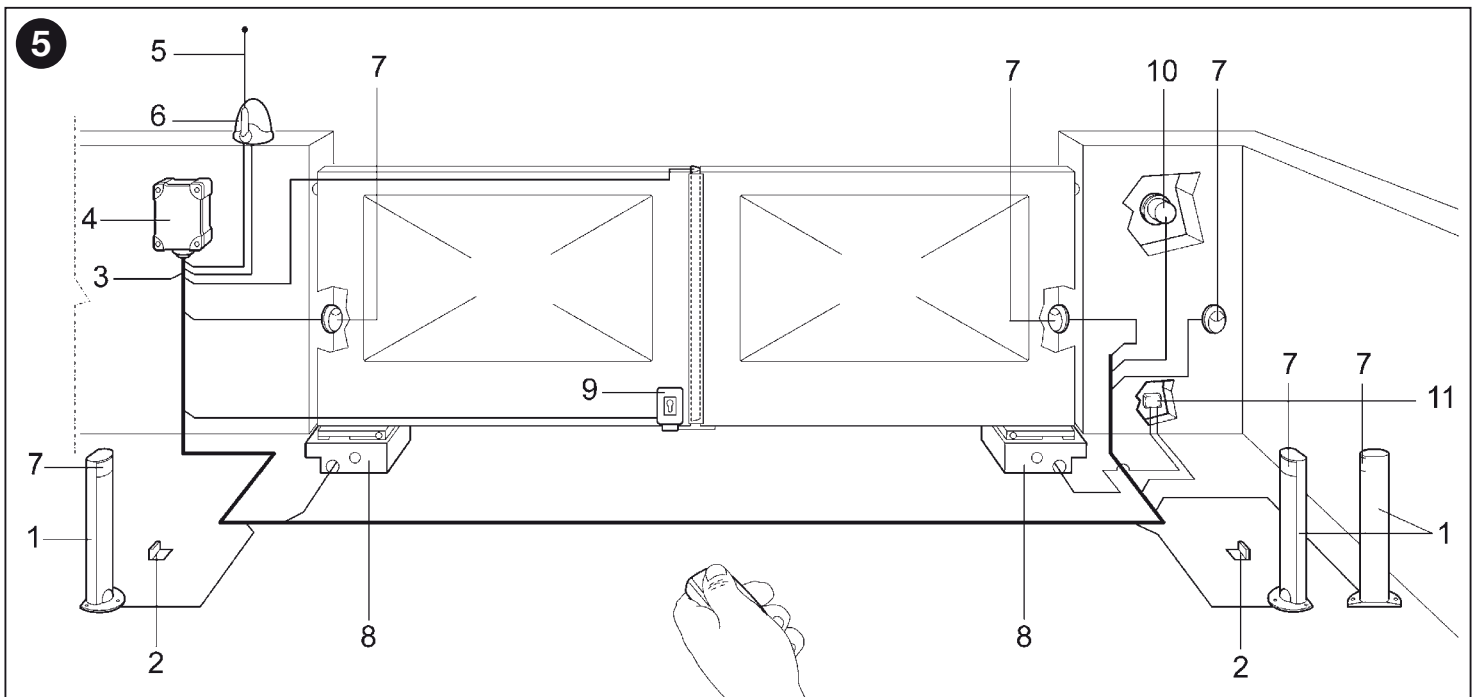
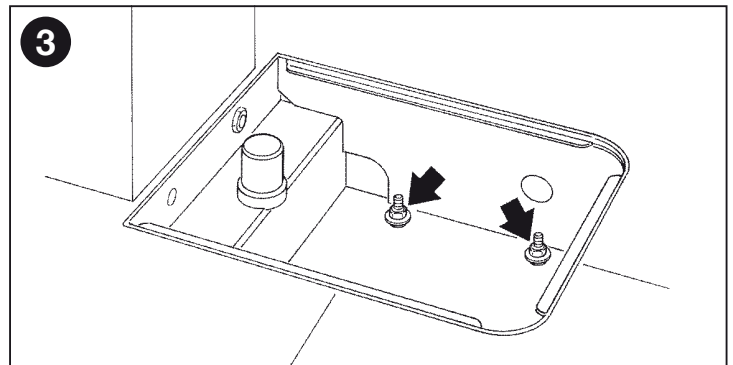
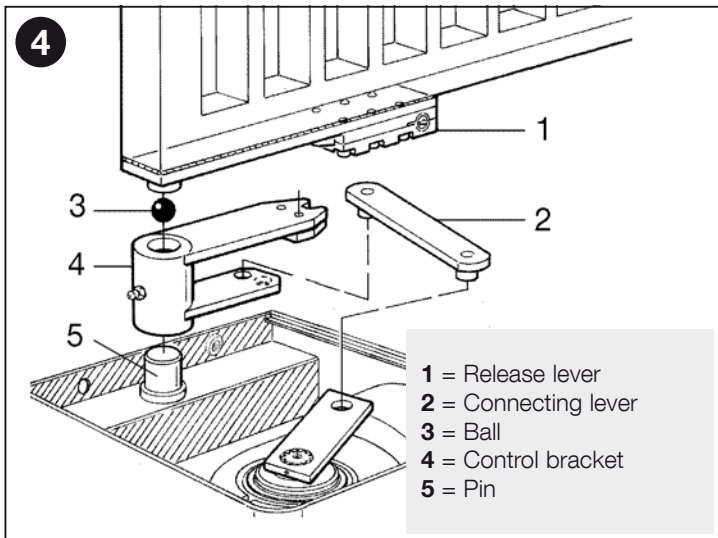
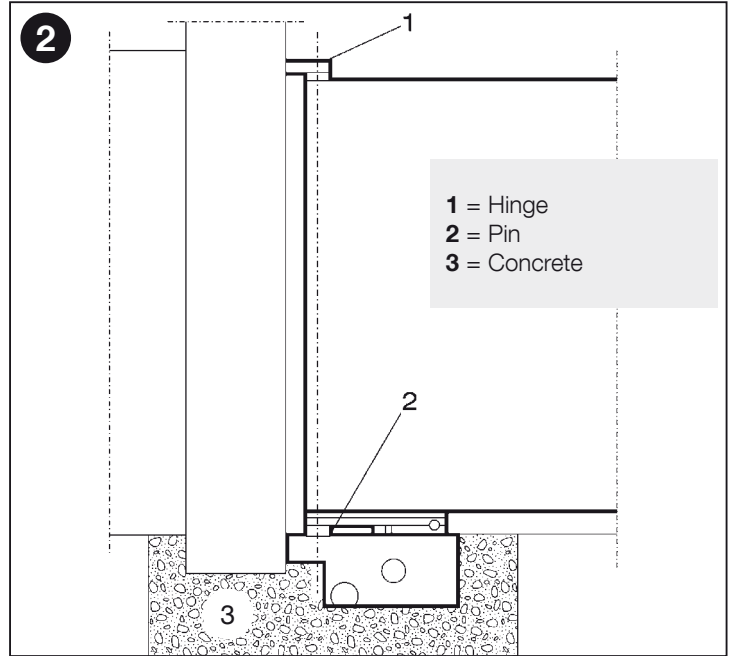
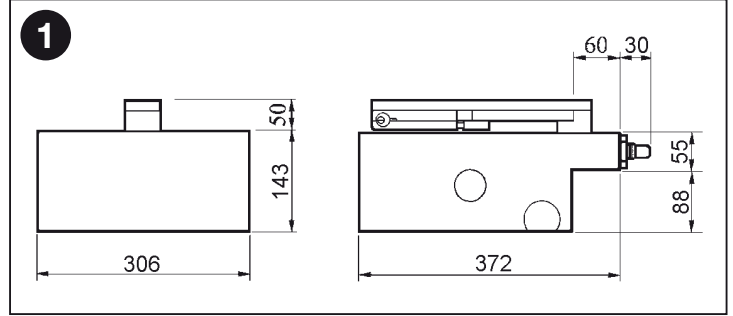
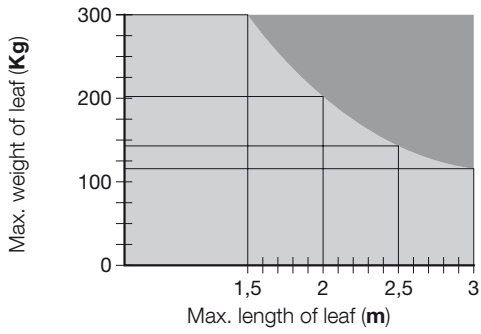
- Blue** = Motor power supply
- Brown** = Motor power supply

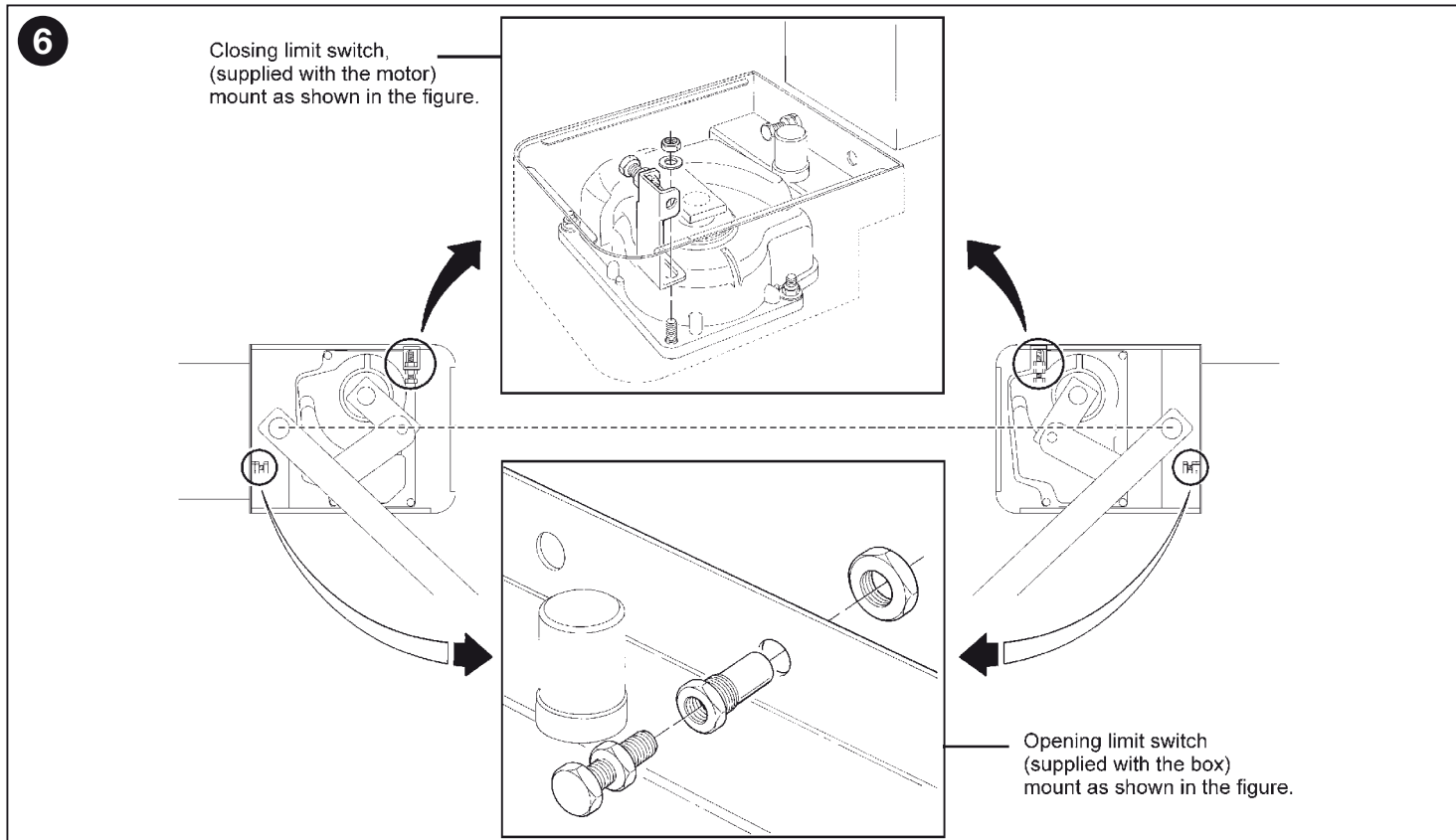
GRAPH A

ME3000 • ME3010 • ME3000L • ME3000/110 • ME3024



ME3024HS





Black = Encoder
Grey = Encoder
Yellow/Green = ⊕

WARNING! – The motors are equipped with a 2-meter cable. Making junctions inside the box IS FORBIDDEN. For any connections use only the appropriate connector block (not included) in order to ensure the safety of the system.

4.2 - Position of Limit Switches

See fig. 6.

5 INSPECTING THE AUTOMATION

Testing of the entire system must be conducted by experienced and qualified personnel, who must establish what tests are necessary depending on the risks involved. To test M-FAB proceed as follows:

- close the gate;
- disconnect the power supply to the control unit;
- release the gearmotor from the gate leaf as shown in paragraph “Manual release device (Key and Lever-Operated Release)” in Chapter “Instructions and Warnings for Users of the M-FAB Gearmotor”.
- open the gate manually all the way;
- make sure the gate opens and closes smoothly without any points of friction;
- make sure that the gate, when stopped in any position and released, does not display a tendency to start moving again;
- make sure that the safety systems and mechanical stops are in good working order;
- make sure that the screw connections are properly tightened;
- clean the inside of the box and make sure that the drain operates properly;
- when all the checks have been completed, re-connect the gearmotor and power the control unit;
- M-FAB is not equipped with any torque adjustment device, therefore this operation is performed by the control unit;
- measure the impact force as provided by the EN12453 and EN12445 standards.

6 PRODUCT MAINTENANCE

M-FAB does not require any special maintenance; however, routine checks conducted every six months at least will ensure the long life of the gearmotor as well as the correct and safe operation of the system.

Maintenance consists simply in repeating the testing procedure.

DISPOSAL OF THE PRODUCT

This product is an integral part of the automation, and therefore, they must be disposed of together.

As for the installation operations, at the end of the life of this product, the dismantling operations must be performed by qualified personnel.

This product is made from different types of materials: some can be recycled, others must be disposed of. Please inform yourselves on the recycling or disposal systems provided for by the laws in force in your area, for this category of product.

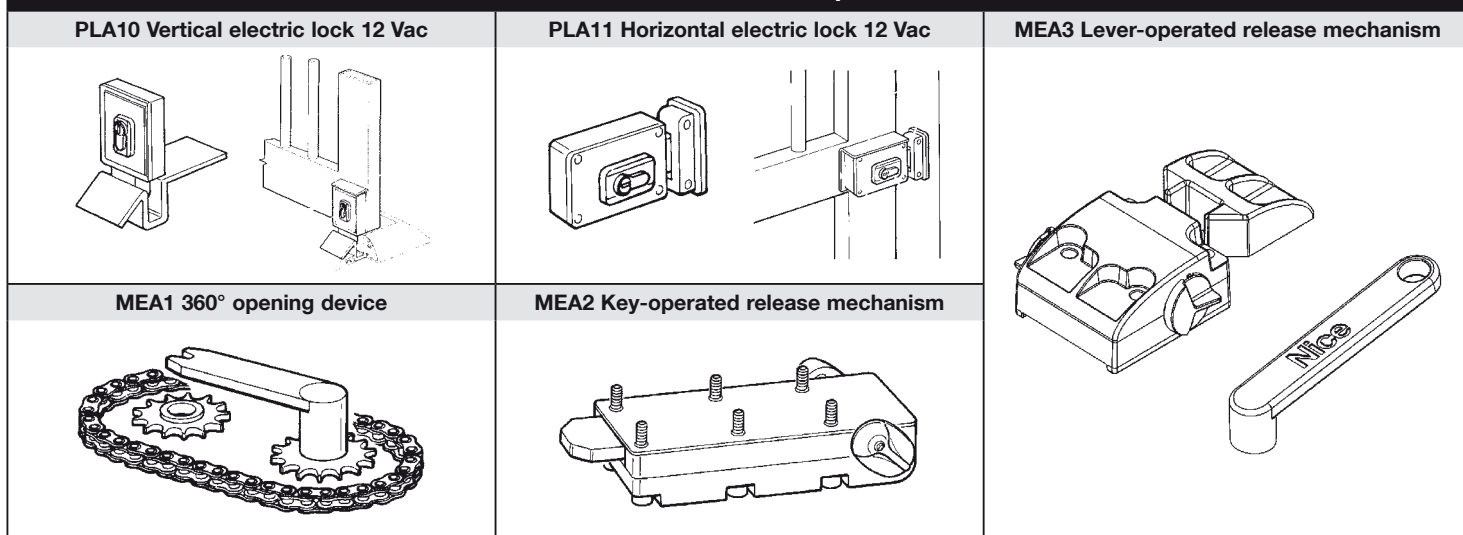
CAUTION! – some parts of the product can contain polluting or dangerous substances which, if dispersed in the environment, may cause serious harm to the environment and human health.

As indicated by the symbol at the side, it is forbidden to throw this product into domestic refuse. Therefore, follow the “separated collection” instructions for disposal, according to the methods provided for by local regulations in force, or redeliver the product to the retailer at the moment of purchase of a new, equivalent product.

CAUTION! – the regulations in force at local level may envisage heavy sanctions in case of abusive disposal of this product.



Accessories On Request



TECHNICAL FEATURES OF THE PRODUCT

CAUTIONS: • The technical features set out refer to an ambient temperature of 20°C (± 5°C). • Nice S.p.a. reserves the right to make alterations to the product any time it deems it necessary, keeping the same functionality and destination of use.

| | ME3000 | ME3010 | ME3000L | ME3000/110 | ME3024 | ME3024HS |
|-------------------------------|------------------|----------------|----------------|----------------|---------|----------|
| Power supply | 230 Vac; 50 Hz | 230 Vac; 50 Hz | 230 Vac; 50 Hz | 110 Vac; 60 Hz | 24 Vdc | 24 Vdc |
| Absorbed current | 1.2 A | 1.2 A | 1.3 A | 2.4 A | 5 A | 6 A |
| Absorbed power | 250 W | 250 W | 300 W | 250 W | 120 W | 170 W |
| Incorporated capacitor | 10 uF | 10 uF | 10 uF | 30 uF | — | — |
| Protection class | IP 67 | IP 67 | IP 67 | IP 67 | IP 67 | IP 67 |
| Speed | 1.14 Rpm | 1.14 Rpm | 0.8 Rpm | 1.4 Rpm | 1.4 Rpm | 2.6 Rpm |
| Torque | 300 Nm | 300 Nm | 250 Nm | 300 Nm | 250 Nm | 180 Nm |
| Operating temperature | -20 °C to +50 °C | | | | | |
| Thermal protection | 140 °C | 140 °C | 140 °C | 140 °C | — | — |
| Work cycle | 30 % | 40 % | 30 % | 30 % | 80 % | 80 % |
| Weight | 11 Kg | 11.5 Kg | 11 Kg | 11 Kg | 11 Kg | 11 Kg |

CE declaration of conformity and declaration of incorporation for a “quasi-machine”

Declaration in accordance with Directives: 2004/108/EC (EMC); 2006/42/EC (MD) annex II, part B.

Note - The content of this declaration corresponds to the declaration made in the official document filed in the offices of Nice S.p.a., and particularly the latest version thereof available prior to the printing of this manual. The text contained here has been adapted to meet editorial requirements. A copy of the original declaration may be requested from Nice S.p.a. (TV) I.

Declaration number: **134/METRO** Revision: **11** Language: **EN**

Name of manufacturer: NICE S.p.A.
Address: Via Pezza Alta N°13, 31046 Rustignè di Oderzo (TV) Italy.
Person authorized to provide technical documentation: NICE S.p.A. – Via Pezza Alta N°13, 31046 Rustignè di Oderzo (TV) Italy.
Product type: Electric gearmotor for swing gates.
Model / Type : ME3024, ME3000, ME3000L, ME3000/110, ME3010, ME3024HS
Accessories: No accessory.

The undersigned Mauro Sordini, as Chief Executive Officer, hereby declares under his own responsibility that the products identified above comply with the provisions of the following directives:

- DIRECTIVE 2004/108/EC OF THE EUROPEAN PARLIAMENT AND COUNCIL of December 15 2004 concerning alignment of Member States' legislation regarding electromagnetic compatibility and abrogating directive 89/336/EEC, according to the following harmonized standards: EN 61000-6-2:2005; EN 61000-6-3:2007 + A1:2011.

The product also complies with the following directive in accordance with the requirements for “quasi-machines”:

- Directive 2006/42/EC OF THE EUROPEAN PARLIAMENT AND COUNCIL of May 17 2006 regarding machines and amending directive 95/16/EC (consolidated text).
- I declare that the pertinent technical documentation has been prepared in accordance with Annex VII B to Directive 2006/42/EC and that the following essential requirements have been met:

1.1.1 - 1.1.2 - 1.1.3 - 1.2.1 -1.2.6 - 1.5.1 -1.5.2 - 1.5.5 - 1.5.6 - 1.5.7 - 1.5.8 - 1.5.10 - 1.5.11.

- The manufacturer agrees to send the national authorities pertinent information on the “quasi-machine” in response to a motivated request without affecting its intellectual property rights.
- If the “quasi-machine” is operated in a European country with an official language other than the language used in this declaration, the importer must associate a translation with this declaration.
- The “quasi-machine” must not be operated until the final machine in which it is to be incorporated is declared to conform to the provisions of Directive 2006/42/EC, if applicable to it.

The product also complies with the following standards: EN 60335-1:2002 + A1:2004 + A11:2004 + A12:2006 + A2:2006 + A13:2008 + A14:2010 + A15:2011; EN 60335-2-103:2003 + A11:2009.

The parts of the product which are subject to the following standards comply with them: EN 13241-1:2003 + A1:2011; EN 12445:2002; EN 12453:2002; EN 12978:2003 + A1:2009.

Oderzo, 30 April 2015

Eng. **Mauro Sordini**
(Chief Executive Officer)

1

AVVERTENZE E PRECAUZIONI GENERALI
PER LA SICUREZZA

1.1 - Avvertenze

Questo manuale di istruzioni contiene importanti informazioni riguardanti la sicurezza per l'installazione, è necessario leggere tutte le istruzioni prima di procedere all'installazione. Conservare con cura questo manuale anche per utilizzi futuri. • Considerando i pericoli che si possono verificare durante l'installazione e l'uso di M-FAB, per la massima sicurezza è necessario che l'installazione avvenga nel pieno rispetto di leggi, norme e regolamenti. In questo capitolo verranno riportate avvertenze di tipo generico; altre importanti avvertenze sono presenti nei capitoli "2.1 Verifiche preliminari"; "5 Collaudo e messa in servizio". **Secondo la più recente legislazione europea, la realizzazione di una porta o cancello automatico ricade in quanto previsto dalla Direttiva 98/37/CE (Direttiva Macchine) e nel particolare, alle norme: EN 12445; EN 12453 ed EN 12635, che consentono di dichiarare la presunzione di conformità.**

Ulteriori informazioni, linee guida all'analisi dei rischi ed alla realizzazione del Fascicolo Tecnico, sono disponibili su: "www.niceforyou.com".

- Il presente manuale è destinato solamente al personale tecnico qualificato per l'installazione. Salvo lo specifico allegato da staccare a cura dell'installatore "Istruzioni ed avvertenze destinate all'utilizzatore del motoriduttore M-FAB" nessuna altra informazione contenuta nel presente fascicolo può essere considerata d'interesse per l'utilizzatore finale!
- L'uso di M-FAB diverso da quanto previsto in queste istruzioni è vietato; usi impropri possono essere causa pericoli o danni a persone e cose.
- Prima di iniziare l'installazione è necessario eseguire l'analisi dei rischi che comprende l'elenco dei requisiti essenziali di sicurezza previsti nell'allegato I della Direttiva Macchine, indicando le relative soluzioni adottate.

ATTENZIONE! – Si ricorda che l'analisi dei rischi è uno dei documenti che costituiscono il "fascicolo tecnico" dell'automazione.

- Verificare la necessità di ulteriori dispositivi per completare l'automazione con M-FAB in base alla specifica situazione d'impiego ed ai pericoli presenti; devono essere considerati ad esempio i rischi di impatto, schiacciamento, cesoiamento, convogliamento, ecc., ed altri pericoli in genere.
- Non eseguire modifiche su nessuna parte se non previste nelle presenti istruzioni; operazioni di questo tipo possono solo causare malfunzionamenti; NICE declina ogni responsabilità per danni derivati da prodotti modificati.
- Durante l'installazione e l'uso evitare che parti solide o liquidi possano penetrare all'interno della centrale e di altri dispositivi aperti; eventualmente rivolgersi al servizio di assistenza NICE; l'uso di M-FAB in queste situazioni può causare situazioni di pericolo
- L'automatismo non può essere utilizzato prima di aver effettuato la messa in servizio come specificato nel capitolo: "5 Collaudo e messa in servizio".
- Il materiale dell'imballaggio di M-FAB deve essere smaltito nel pieno rispetto della normativa locale.
- Nel caso di guasto non risolvibile facendo uso delle informazioni riportate nel presente manuale, interpellare il servizio di assistenza NICE.
- Qualora si verificano interventi di interruttori automatici o di fusibili, prima di ripristinarli è necessario individuare ed eliminare il guasto.
- **Prima di accedere ai morsetti delle connessioni di M-FAB scollegare tutti i circuiti di alimentazione;** se il dispositivo di sconnessione non è a vista apporvi un cartello: "ATTENZIONE MANUTENZIONE IN CORSO".

2

DESCRIZIONE DEL PRODOTTO E
DESTINAZIONE D'USO

M-FAB è un motoriduttore destinato all'automazione di un cancello ad una o due ante battenti. **ATTENZIONE! – Ogni uso, diverso da quanto sopra descritto, e in condizioni diverse da quanto previsto nel presente manuale è vietato.**

M-FAB funziona mediante energia elettrica, in caso di mancanza di alimentazione elettrica, è possibile sbloccare il cancello con apposite chiavi e muovere manualmente le ante.

4

COLLEGAMENTI ELETTRICI

4.1(a) - Per il **ME3000** e **ME3010** collegare i cavi nel seguente modo:

Nero = Fase "apre"
Marrone = Fase "chiude"
Blu = Comune
Giallo-Verde = ⊕

3.1 - Verifiche preliminari

Prima di procedere all'installazione è necessario verificare che la struttura sia idonea, in altre parole, conforme alle norme vigenti ed in particolare verificare che: • il cancello non presenti punti d'attrito sia in chiusura sia in apertura; • il cancello sia ben bilanciato, ossia, una volta fermato in una qualsiasi posizione non accenni a riprendere il moto; • il cancello, nella sua corsa, sia silenzioso e regolare; • la zona individuata per il fissaggio del motoriduttore consenta una manovra manuale facile e sicura; • la confezione sia integra; • verificare che la zona di fissaggio sia compatibile con l'ingombro della cassa (**fig.1**); • prevedere una battuta di arresto in chiusura e possibilmente anche in apertura.

ATTENZIONE! – Si ricorda che M-FAB motorizza un cancello (ad una o due ante) di per sé efficiente e sicuro e non sopprime difetti causati da una sbagliata installazione, o da una cattiva manutenzione.

3.2 - Limiti d'impiego

La forma, l'altezza del cancello (es. cieco) e le condizioni climatiche (es. vento forte) possono ridurre anche notevolmente i valori riportati nel **Grafico A**.

Nota - Qualora il cancello superi i 2,5 m di lunghezza per ogni singola anta, si consiglia di installare una serratura elettrica (PLA10 oppure PLA11).

3.3 - Fissaggio

3.3.1 - Dimensioni d'ingombro e posizionamento della cassa di fondazione

1. Eseguire in base alle dimensioni d'ingombro, uno scavo di fondazione, si consiglia di prevedere un buon drenaggio, in modo da evitare il ristagno dell'acqua.
2. Fissare alla cassa l'accessorio per il finecorsa di apertura seguendo attentamente le istruzioni della **fig. 6**, al fine di evitare un fissaggio errato.
3. Collocare la cassa all'interno dello scavo, con il perno allineato all'asse della cerniera (es. **fig. 2**).
4. Prevedere un condotto per i cavi elettrici ed uno per il drenaggio.
5. Annegare nel calcestruzzo la cassa di fondazione, curandone la messa in bolla ed il livello.
6. Inserire sul perno della cassa la staffa di comando, avendo cura di interporre la sfera in dotazione.
7. Appoggiare l'anta del cancello sulla leva di sblocco, e fissare con saldatura robusta.
8. Ingrassare mediante apposito ugello ingrassatore.

3.3.2 - Installazione del motoriduttore M-FAB

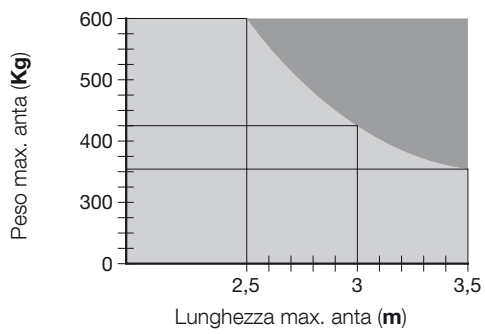
1. Togliere i dadi e le rondelle indicati nella **fig. 3**.
2. Collocare il motoriduttore all'interno della cassa di fondazione assicurandosi che sia inserito nel verso giusto.
3. Fissare la staffa per il finecorsa di chiusura nell'apposito foro (**fig. 6**).
4. Bloccare il motoriduttore con le rondelle grower e i 4 dadi autobloccanti presenti nella scatola accessori.
5. Collegare con la leva di collegamento (2) il motoriduttore al cancello (**fig. 4**).

3.4 - Impianto tipico (vedere la **fig. 5**)

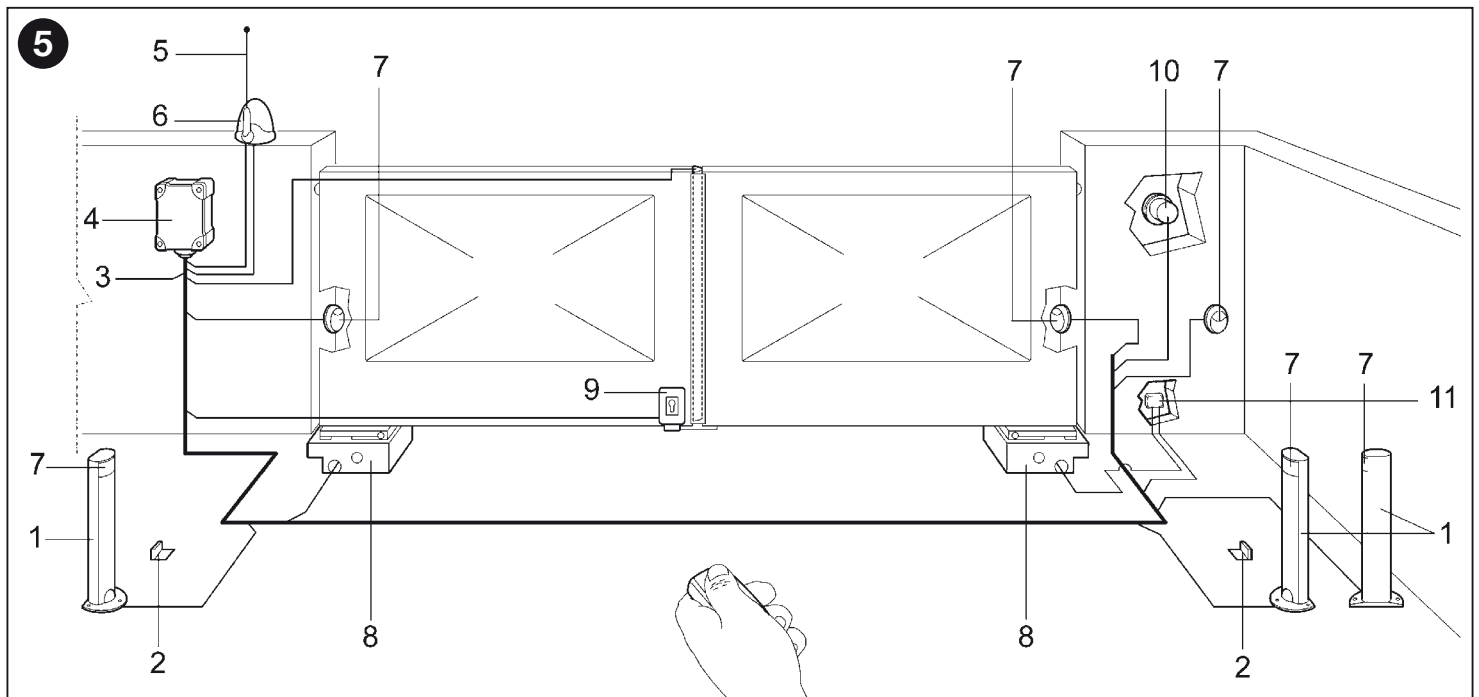
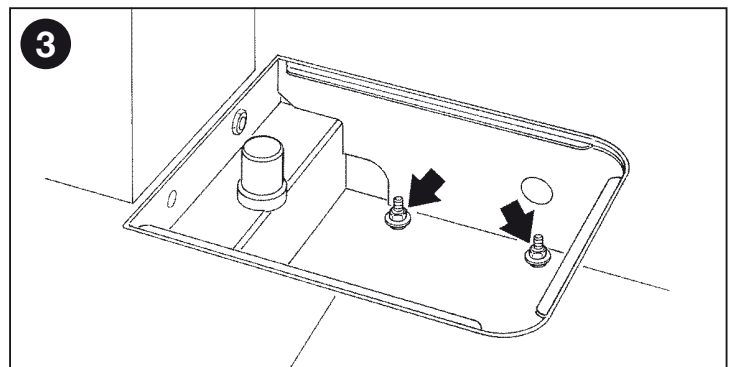
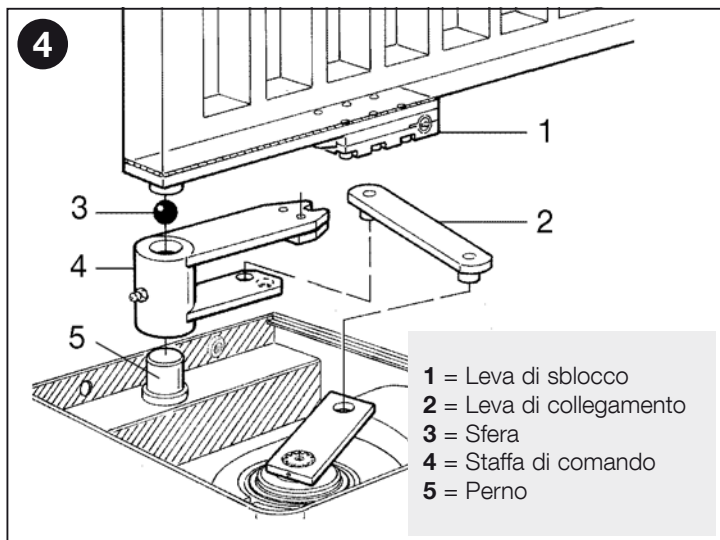
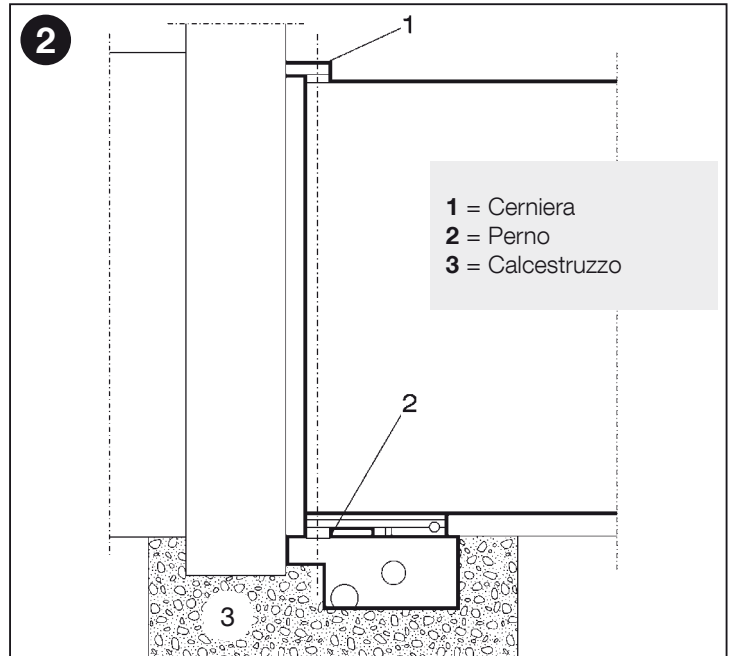
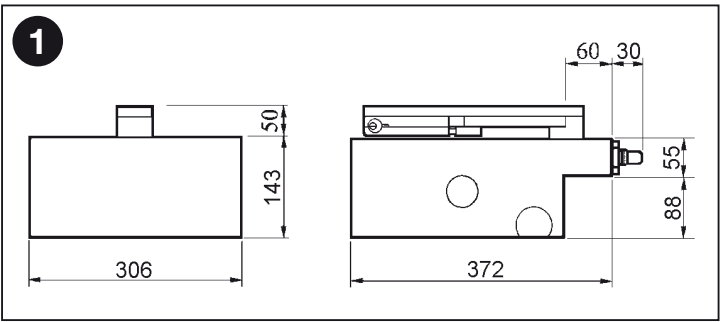
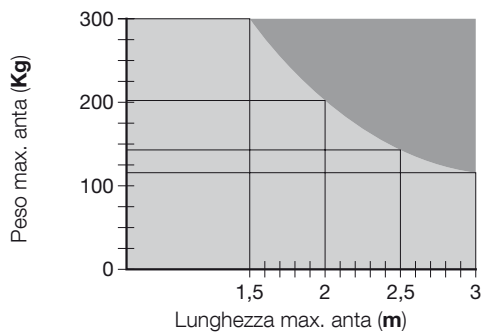
- 1 = Colonnina per fotocellula
- 2 = Coppia di arresti in apertura
- 3 = Linea 230V
- 4 = Quadro di comando (centralina elettrica)
- 5 = Antenna
- 6 = Lampeggiante
- 7 = Fotocellula
- 8 = Cassa con attuatore M-FAB
- 9 = Elettroserratura verticale
- 10 = Selettore a chiave o tastiera digitale
- 11 = Scatola di derivazione (non fornita)

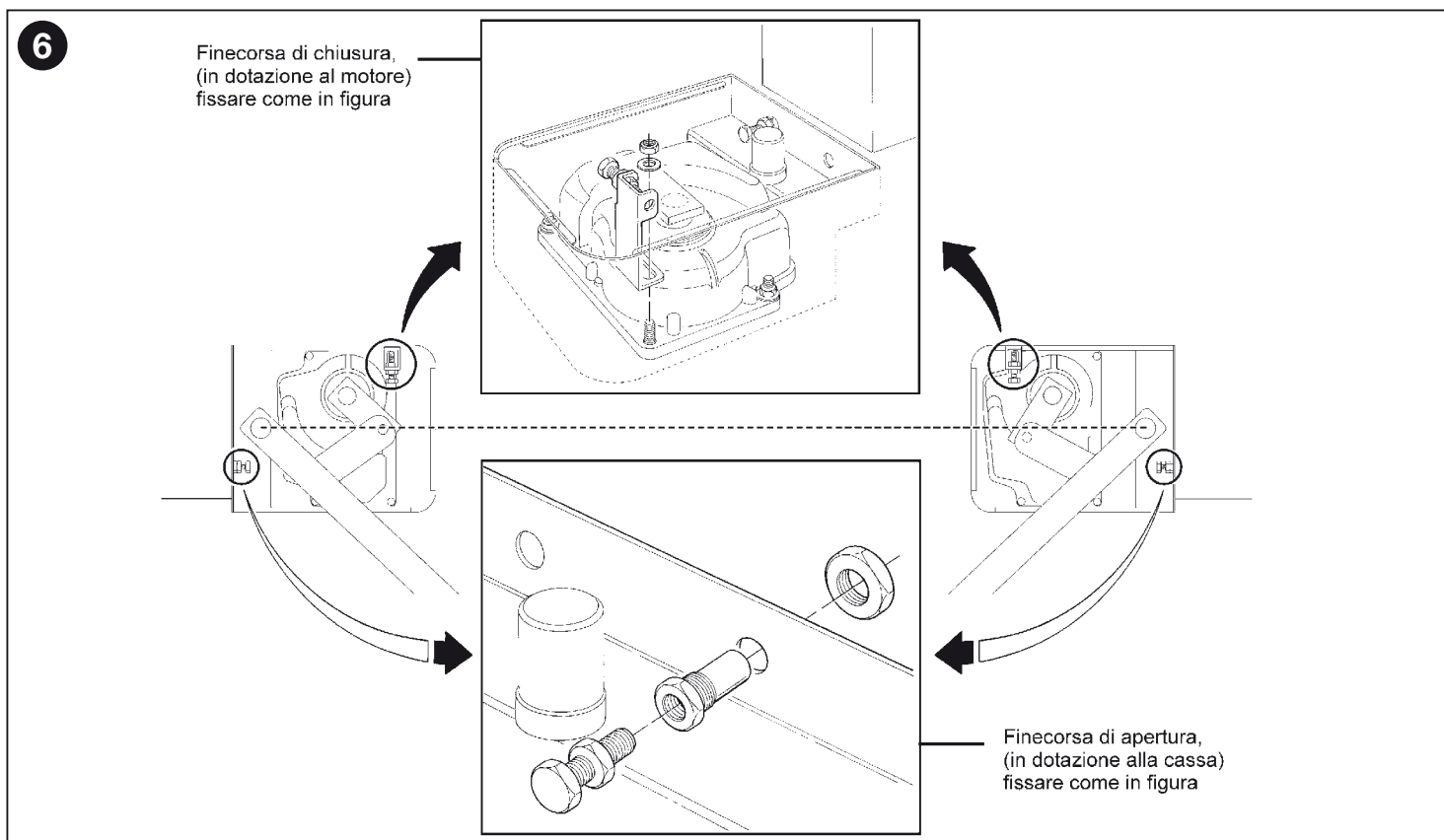
GRAFICO A

ME3000 • ME3010 • ME3000L • ME3000/110 • ME3024



ME3024HS





4.1(b) - Per il **ME3024** collegare i cavi nel seguente modo:

- Blu** = Alimentazione motore
- Marrone** = Alimentazione motore
- Nero** = Encoder
- Grigio** = Encoder
- Giallo-Verde** = \oplus

ATTENZIONE! - I motori dispongono di un cavo lungo 2 metri. E' **VIETATO** eseguire giunte all'interno della cassa, per eventuali collegamenti usare solamente l'apposita scatola di derivazione (non fornita), al fine di preservare la sicurezza dell'impianto.

4.2 - Posizionamento dei finecorsa

Vedere la **fig. 6**.

5 COLLAUDO DELL'AUTOMAZIONE

Il collaudo dell'intero impianto deve essere eseguito da personale esperto e qualificato che deve farsi carico delle prove richieste, in funzione del rischio presente.

Per il collaudo di M-FAB seguire questa procedura:

- chiudere il cancello;
- togliere alimentazione alla centrale;
- sbloccare il motoriduttore dall'anta come indicato nel paragrafo "Sblocco manuale (sblocco a chiave e a leva) sul capitolo "Istruzioni ed avvertenze destinate all'utilizzatore del motoriduttore M-FAB;
- aprire manualmente il cancello per tutta la sua corsa;
- verificare che il cancello durante il moto non abbia punti d'attrito;
- verificare che il cancello fermato in qualsiasi punto e sbloccato, non accenni a muoversi;
- verificare che i sistemi di sicurezza e gli arresti meccanici siano in buono stato;
- verificare che i collegamenti a vite siano ben stretti;
- ripulire l'interno della cassa e verificare che lo scarico dell'acqua funzioni correttamente;
- terminate le verifiche ribloccare il motoriduttore e rialimentare la centrale;
- M-FAB è sprovvisto di dispositivo di regolazione di coppia, pertanto tale regolazione è affidata alla centrale di comando;
- misurare la forza d'impatto come previsto dalla normativa EN12453 ed EN12445.

6 MANUTENZIONE DEL PRODOTTO

La manutenzione di M-FAB non necessita di accorgimenti particolari, ma un controllo programmato almeno ogni sei mesi permette di ottenere una maggiore vita del motoriduttore ed un corretto e sicuro funzionamento del sistema. **La manutenzione consiste semplicemente nel ripetere la procedura di collaudo.**

SMALTIMENTO DEL PRODOTTO

Questo prodotto è parte integrante dell'automazione, e dunque, deve essere smaltito insieme con essa.

Come per le operazioni d'installazione, anche al termine della vita di questo prodotto, le operazioni di smantellamento devono essere eseguite da personale qualificato.

Questo prodotto è costituito da vari tipi di materiali: alcuni possono essere riciclati, altri devono essere smaltiti. Informatevi sui sistemi di riciclaggio o smaltimento previsti dai regolamenti vigenti sul vostro territorio, per questa categoria di prodotto.

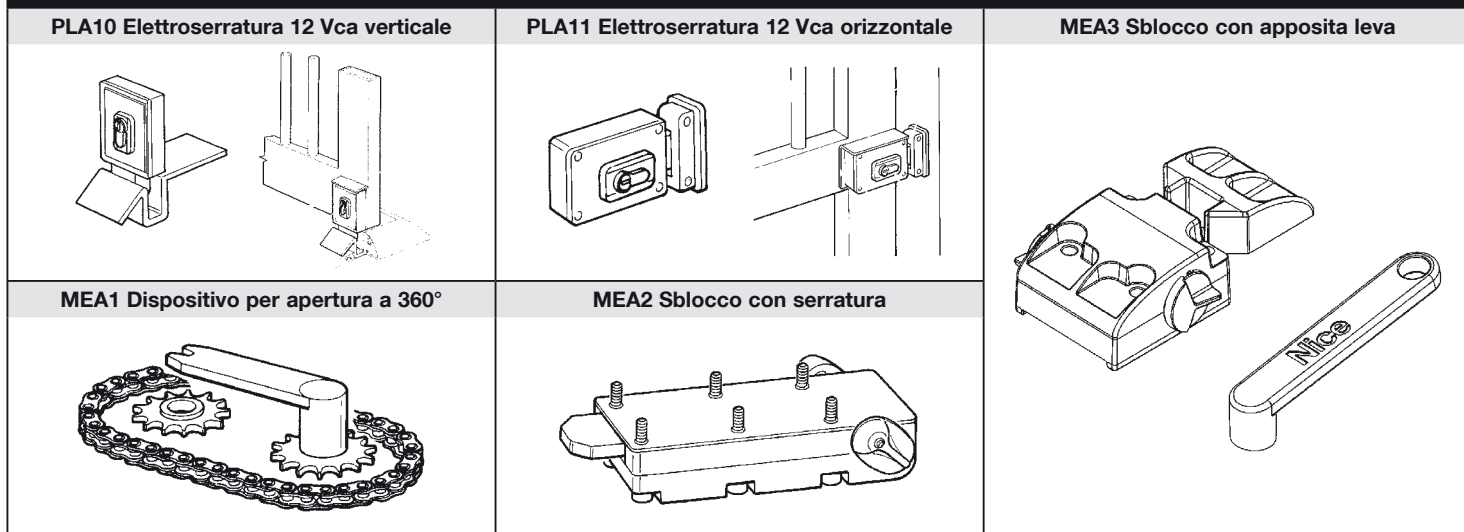
Attenzione! – alcune parti del prodotto possono contenere sostanze inquinanti o pericolose che, se disperse nell'ambiente, potrebbero provocare effetti dannosi sull'ambiente stesso e sulla salute umana.

Come indicato dal simbolo a lato, è vietato gettare questo prodotto nei rifiuti domestici. Eseguire quindi la "raccolta separata" per lo smaltimento, secondo i metodi previsti dai regolamenti vigenti sul vostro territorio, oppure riconsegnare il prodotto al venditore nel momento dell'acquisto di un nuovo prodotto equivalente.

Attenzione! – i regolamenti vigenti a livello locale possono prevedere pesanti sanzioni in caso di smaltimento abusivo di questo prodotto.



Accessori a richiesta



CARATTERISTICHE TECNICHE DEL PRODOTTO

AVVERTENZE: • Tutte le caratteristiche tecniche riportate, sono riferite ad una temperatura ambientale di 20°C (± 5°C). • Nice S.p.a. si riserva il diritto di apportare modifiche al prodotto in qualsiasi momento lo riterrà necessario, mantenendone comunque la stessa funzionalità e destinazione d'uso.

| | ME3000 | ME3010 | ME3000L | ME3000/110 | ME3024 | ME3024HS |
|-------------------------------------|--------------------|----------------|----------------|----------------|---------|----------|
| Alimentazione | 230 Vac; 50 Hz | 230 Vac; 50 Hz | 230 Vac; 50 Hz | 110 Vac; 60 Hz | 24 Vdc | 24 Vdc |
| Corrente assorbita | 1.2 A | 1.2 A | 1.3 A | 2.4 A | 5 A | 6 A |
| Potenza assorbita | 250 W | 250 W | 300 W | 250 W | 120 W | 170 W |
| Condensatore incorporato | 10 uF | 10 uF | 10 uF | 30 uF | — | — |
| Grado di protezione | IP 67 | IP 67 | IP 67 | IP 67 | IP 67 | IP 67 |
| Velocità | 1.14 Rpm | 1.14 Rpm | 0.8 Rpm | 1.4 Rpm | 1.4 Rpm | 2.6 Rpm |
| Coppia | 300 Nm | 300 Nm | 250 Nm | 300 Nm | 250 Nm | 180 Nm |
| Temperatura di funzionamento | da -20 °C a +50 °C | | | | | |
| Termoprotezione | 140 °C | 140 °C | 140 °C | 140 °C | — | — |
| Ciclo di lavoro | 30 % | 40 % | 30 % | 30 % | 80 % | 80 % |
| Peso | 11 Kg | 11.5 Kg | 11 Kg | 11 Kg | 11 Kg | 11 Kg |

Dichiarazione CE di conformità e dichiarazione di incorporazione di "quasi macchina"

Dichiarazione in accordo alle Direttive: 2004/108/CE (EMC); 2006/42/CE (MD) allegato II, parte B.

Nota - Il contenuto di questa dichiarazione corrisponde a quanto dichiarato nel documento ufficiale depositato presso la sede di Nice S.p.a., e in particolare, alla sua ultima revisione disponibile prima della stampa di questo manuale. Il testo qui presente è stato riadattato per motivi editoriali. Copia della dichiarazione originale può essere richiesta a Nice S.p.a. (TV) I.

Numero dichiarazione: **134/METRO** Revisione: **11** Lingua: **IT**

Nome produttore: NICE s.p.a.

Indirizzo: Via Pezza Alta N°13, 31046 Rustignè di Oderzo (TV) Italia.

Persona autorizzata a costituire la documentazione tecnica: NICE s.p.a. - Via Pezza Alta N°13, 31046 Rustignè di Oderzo (TV) Italia.

Tipo di prodotto: Motoriduttore elettromeccanico per cancelli a battente.

Modello / Tipo: ME3024, ME3000, ME3000L, ME3000/110, ME3010, ME3024HS

Accessori: Nessun accessorio.

Il sottoscritto Mauro Sordini, in qualità di Amministratore delegato, dichiara sotto la propria responsabilità che i prodotti sopra indicati risultano conformi alle disposizioni imposte dalle seguenti direttive:

- DIRETTIVA 2004/108/CE DEL PARLAMENTO EUROPEO E DEL CONSIGLIO del 15 dicembre 2004 concernente il ravvicinamento delle legislazioni degli Stati membri relative alla compatibilità elettromagnetica e che abroga la direttiva 89/336/CEE, secondo le seguenti norme armonizzate: EN 61000-6-2:2005; EN 61000-6-3:2007 + A1:2011.

Inoltre il prodotto risulta essere conforme alla seguente direttiva secondo i requisiti previsti per le "quasi macchine":

- Direttiva 2006/42/CE DEL PARLAMENTO EUROPEO E DEL CONSIGLIO del 17 maggio 2006 relativa alle macchine e che modifica la direttiva 95/16/CE (rifusione)
- Si dichiara che la documentazione tecnica pertinente è stata compilata in conformi-

tà all'allegato VII-B della direttiva 2006/42/CE e che sono stati rispettati i seguenti requisiti essenziali:

1.1.1 - 1.1.2 - 1.1.3 - 1.2.1 - 1.2.6 - 1.5.1 - 1.5.2 - 1.5.5 - 1.5.6 - 1.5.7 - 1.5.8 - 1.5.10 - 1.5.11.

- Il produttore si impegna a trasmettere alle autorità nazionali, in risposta ad una motivata richiesta, le informazioni pertinenti sulla "quasi macchina", mantenendo impregiudicati i propri diritti di proprietà intellettuale.
- Qualora la "quasi macchina" sia messa in servizio in un paese europeo con lingua ufficiale diversa da quella usata nella presente dichiarazione, l'importatore ha l'obbligo di associare alla presente dichiarazione la relativa traduzione.
- Si avverte che la "quasi macchina" non dovrà essere messa in servizio finché la macchina finale in cui sarà incorporata non sarà a sua volta dichiarata conforme, se del caso, alle disposizioni della direttiva 2006/42/CE.

Inoltre il prodotto risulta conforme alle seguenti norme: EN 60335-1:2002 + A1:2004 + A11:2004 + A12:2006 + A2:2006 + A13:2008 + A14:2010 + A15:2011; EN 60335-2-103:2003 + A11:2009.

Il prodotto risulta conforme, limitatamente alle parti applicabili, alle seguenti norme: EN 13241-1:2003 + A1:2011; EN 12445:2002; EN 12453:2002; EN 12978:2003 + A1:2009.

Oderzo, 30 Aprile 2015

Ing. **Mauro Sordini**
(Amministratore delegato)



1 CONSIGNES ET PRÉCAUTIONS GÉNÉRALES DE SÉCURITÉ

1.1 - Avertissements

Ce manuel d'instructions contient des informations importantes concernant la sécurité pour l'installation, il faut lire toutes les instructions avant de procéder à l'installation. Conserver avec soin ce manuel également pour des consultations futures. • Compte tenu des dangers qui peuvent se vérifier durant l'installation et l'utilisation de M-FAB, pour le maximum de sécurité il faut que l'installation soit faite dans le plein respect des lois, normes et règlements. Dans ce chapitre, nous donnons des recommandations d'ordre général; d'autres recommandations importantes se trouvent dans les chapitres "2.1 Contrôles préliminaires"; "5 Essai et mise en service".

D'après la législation européenne la plus récente, la réalisation d'une porte ou d'un portail automatique possède les caractéristiques prévues par la Directive 98/37/CE (Directive Machines) et en particulier par les normes EN 12445, EN 12453 et EN 12635 qui permettent de déclarer la présomption de conformité.

D'autres informations et les conseils pour l'analyse des risques et la réalisation du dossier technique sont disponibles sur le site: "www.niceforyou.com".

- Le présent manuel est destiné uniquement au personnel technique qualifié pour l'installation. À part l'encart spécifique "Instructions et recommandations destinées à l'utilisateur de l'opérateur M-FAB" qui sera détaché par l'installateur, aucune autre information contenue dans la présente notice ne peut être considérée comme intéressante pour l'utilisateur final!
- Une utilisation de M-FAB différente de ce qui est prévu dans cette notice est interdite; des utilisations impropres peuvent être source de dangers ou de dommages aux personnes et aux choses.
- Avant de commencer l'installation, il faut effectuer l'analyse des risques comprenant la liste des conditions de sécurité requises par l'annexe I de la Directive Machines, en indiquant les solutions adoptées.

ATTENTION ! – Nous rappelons que l'analyse des risques est l'un des documents qui constituent le "dossier technique" de l'automatisation.

- Vérifier la nécessité d'autres dispositifs pour compléter l'automatisation avec M-FAB suivant les conditions spécifiques de l'application et les risques présents; il faut considérer par exemple les risques d'impact, écrasement, cisaillement, coincement, etc., et d'autres dangers en général.
- Ne pas effectuer de modifications sur aucune des parties si elles ne sont pas prévues dans le présent manuel. Des opérations de ce type entraîneront obligatoirement des problèmes de fonctionnement. NICE décline toute responsabilité pour les dommages dérivant de produits modifiés.
- Pendant l'installation et l'utilisation, éviter que des parties solides ou liquides puissent pénétrer à l'intérieur de la logique de commande ou d'autres composants ouverts; s'adresser éventuellement au service d'assistance NICE; l'utilisation de M-FAB dans de telles circonstances peut créer des situations de danger.
- L'automatisme ne peut pas être utilisé avant d'avoir effectué la mise en service comme l'explique le chapitre: "5 Essai et mise en service".
- L'emballage de M-FAB doit être mis au rebut dans le plein respect de la réglementation locale.
- Dans le cas de panne qui ne peut pas être résolue avec les informations données dans ce manuel, contacter le service après-vente NICE.
- Si l'intervention de disjoncteurs ou de fusibles se vérifie, avant de les réarmer, il faut identifier et éliminer la panne.
- **Avant d'accéder aux bornes des connexions de M-FAB, déconnecter tous les circuits d'alimentation;** si le dispositif de déconnexion n'est pas visible, accrocher un panneau: "ATTENTION MAINTENANCE EN COURS".

2 DESCRIPTION DU PRODUIT ET UTILISATION

M-FAB est un opérateur destiné à l'automatisation d'un portail à un ou deux battants. **ATTENTION ! – Toute utilisation autre que celle qui est décrite et dans des conditions différentes de celles qui sont prévues dans le présent manuel est interdite.**

M-FAB fonctionne au moyen de l'énergie électrique ; en cas de coupure de courant, il est possible de débrayer l'opérateur grâce aux clés prévues à cet effet et de déplacer manuellement les battants.

3 INSTALLATION

3.1 - Contrôles préliminaires

Avant de procéder à l'installation, vérifier que la structure est adaptée, en d'autres termes, vérifier qu'elle est conforme aux normes en vigueur, en particulier, vérifier que: • le portail ne présente pas de points de frottement aussi bien en fermeture qu'en ouverture; • le portail est bien équilibré, c'est-à-dire que, quelle que soit la position dans laquelle il s'arrête, il n'a pas tendance à redémarrer; • le portail, durant sa course, est silencieux et que le mouvement est régulier; • la zone identifiée pour la fixation de l'opérateur permet une manœuvre facile et sûre ; • l'emballage est intègre ; • vérifier que la zone de fixation est compatible avec l'encombrement de la caisse (**fig.1**) ; • prévoir une butée d'arrêt en fermeture mais aussi, si possible, en ouverture.

ATTENTION ! – Rappelons que M-FAB motorise un portail (à un ou deux battants) en état de marche et sûr di et ne résout pas les défauts causés par une installation incorrecte ou par une maintenance insuffisante.

3.2 - Limites d'utilisation

La forme et la hauteur du portail (ex. plein) ainsi que les conditions climatiques (ex.: vent fort) peuvent parfois réduire considérablement les valeurs indiquées sur le **Graphique A**.

Note – Si le portail dépasse 2,5 m de longueur pour chaque battant, il est conseillé d'installer une serrure électrique (PLA10 ou PLA11).

3.3 - Fixation

3.3.1 - Dimensions d'encombrement et positionnement de la caisse de fondation

1. Réaliser, en fonction des dimensions d'encombrement, une tranchée de fondation; il est conseillé de prévoir un bon drainage de manière à éviter toute stagnation d'eau.
2. Fixer à la caisse l'accessoire pour le fin de course d'ouverture en suivant attentivement les instructions de la **fig. 6**, afin d'éviter toute erreur dans la fixation.
3. Placer la caisse à l'intérieur du trou avec le pivot aligné avec l'axe de la charnière (**fig. 2**).
4. Prévoir un conduit pour les câbles électriques et un autre pour le drainage.
5. Noyer dans le béton la caisse de fondation en vérifiant sa mise à niveau.
6. Positionner sur le pivot de la caisse le etrier de commande en veillant à interposer la bille fournie.
7. Poser la battant du portail sur le levier de débrayage et fixer avec une soudeuse robuste.
8. Graisser au moyen de la buse de graissage.

3.3.2 - Installation de l'opérateur M-FAB

1. Enlever les écrous et les rondelles indiqués sur la **fig. 3**.
2. Placer l'opérateur à l'intérieur de la caisse de fondation en veillant à le positionner dans le bon sens.
3. Fixer la patte pour le fin de course de fermeture dans le trou prévu à cet effet (**fig. 6**).
4. Bloquer l'opérateur avec les rondelles Grower et les 4 écrous autofreinés présents dans la boîte des accessoires.
5. Raccorder l'opérateur au portail avec le levier de raccordement (2) (**fig. 4**).

3.4 - Installation typique (voir la fig. 5)

- 1 = Colonne pour photocellule
- 2 = Couple d'arrêts en ouverture
- 3 = Ligne 230 V
- 4 = Armoire de commande (armoire électrique)
- 5 = Antenne
- 6 = Clignotant
- 7 = Photocellule
- 8 = Caisse avec opérateur M-FAB
- 9 = Serrure électrique verticale
- 10 = Sélecteur à clef ou clavier numérique.
- 11 = Boîte de dérivation (non fournie).

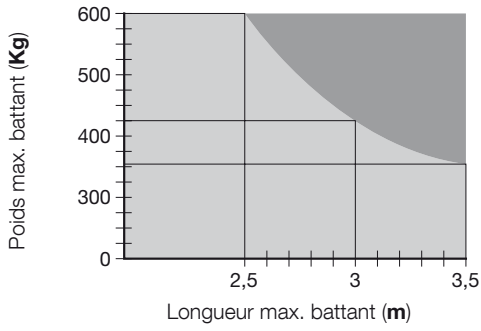
4 BRANCHEMENTS ÉLECTRIQUES

4.1(a) - Pour les modèles ME3000 et ME3010, brancher les câbles comme suit:

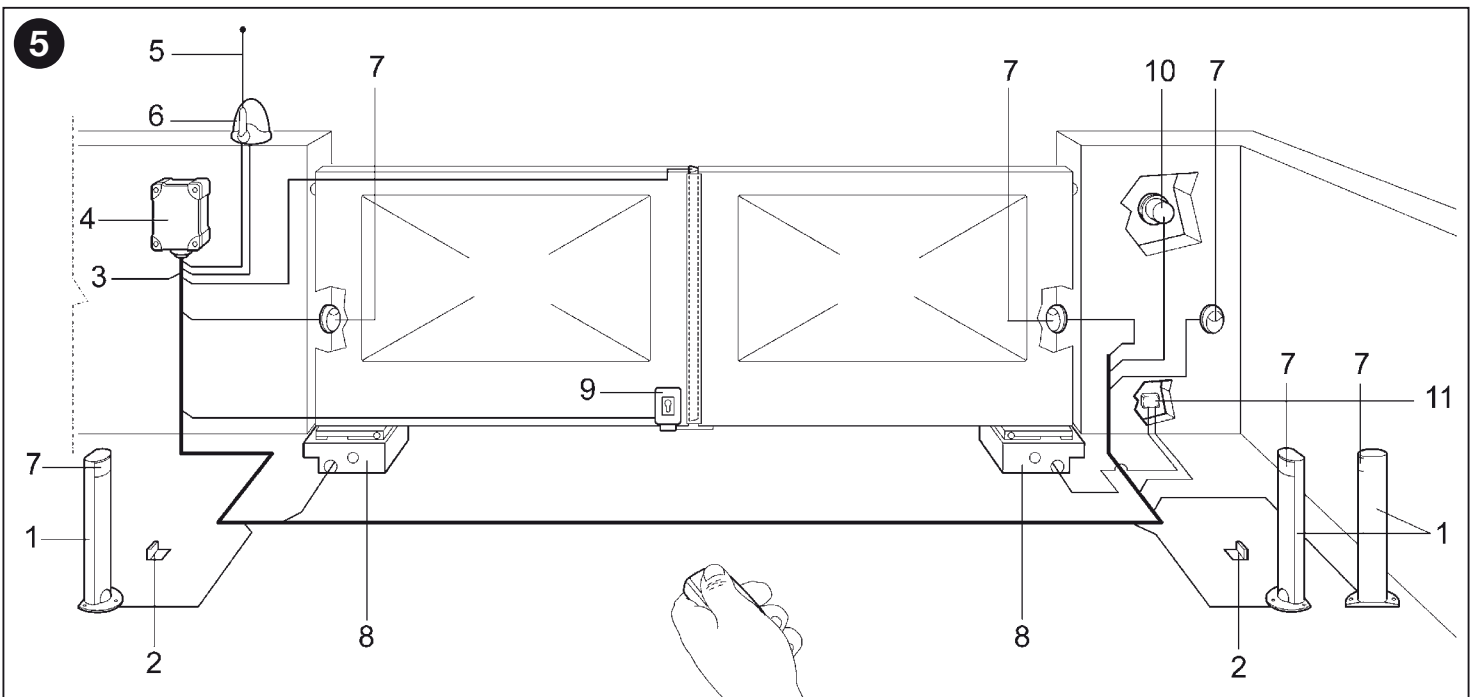
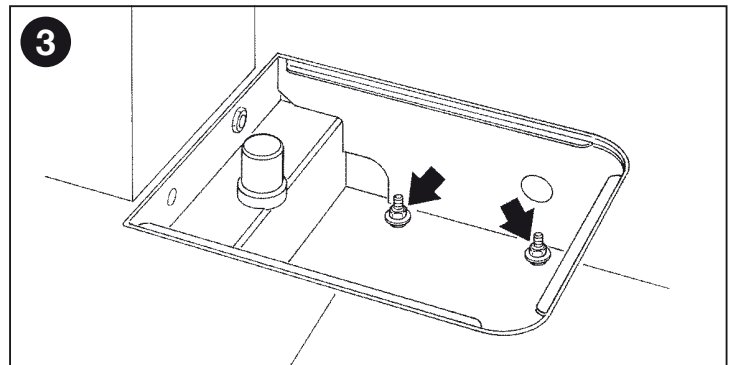
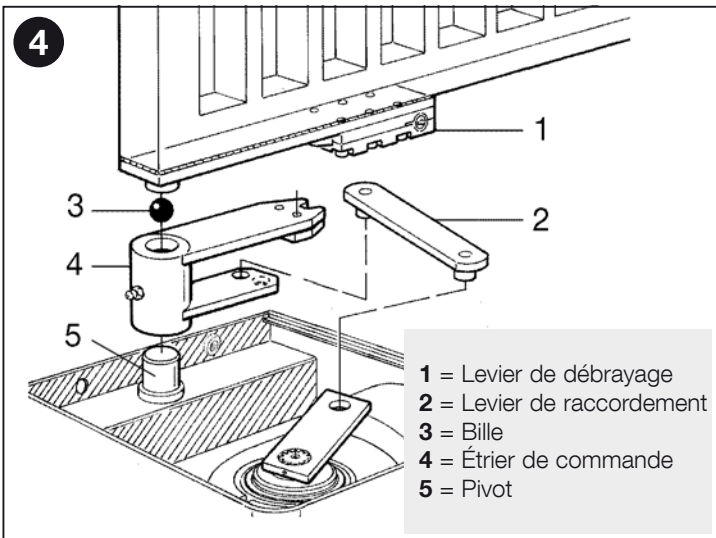
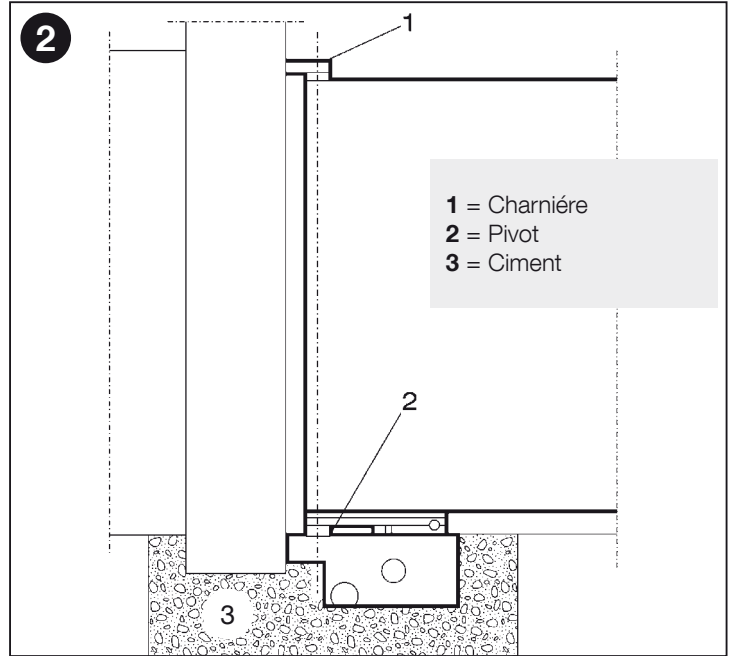
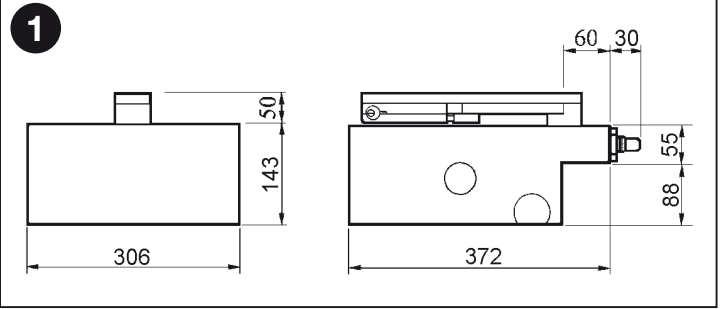
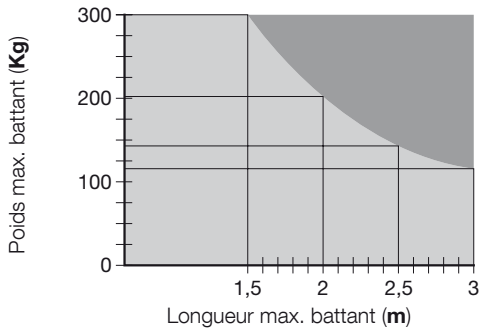
- Noir** = phase « ouverture »
Marron = phase « fermeture »

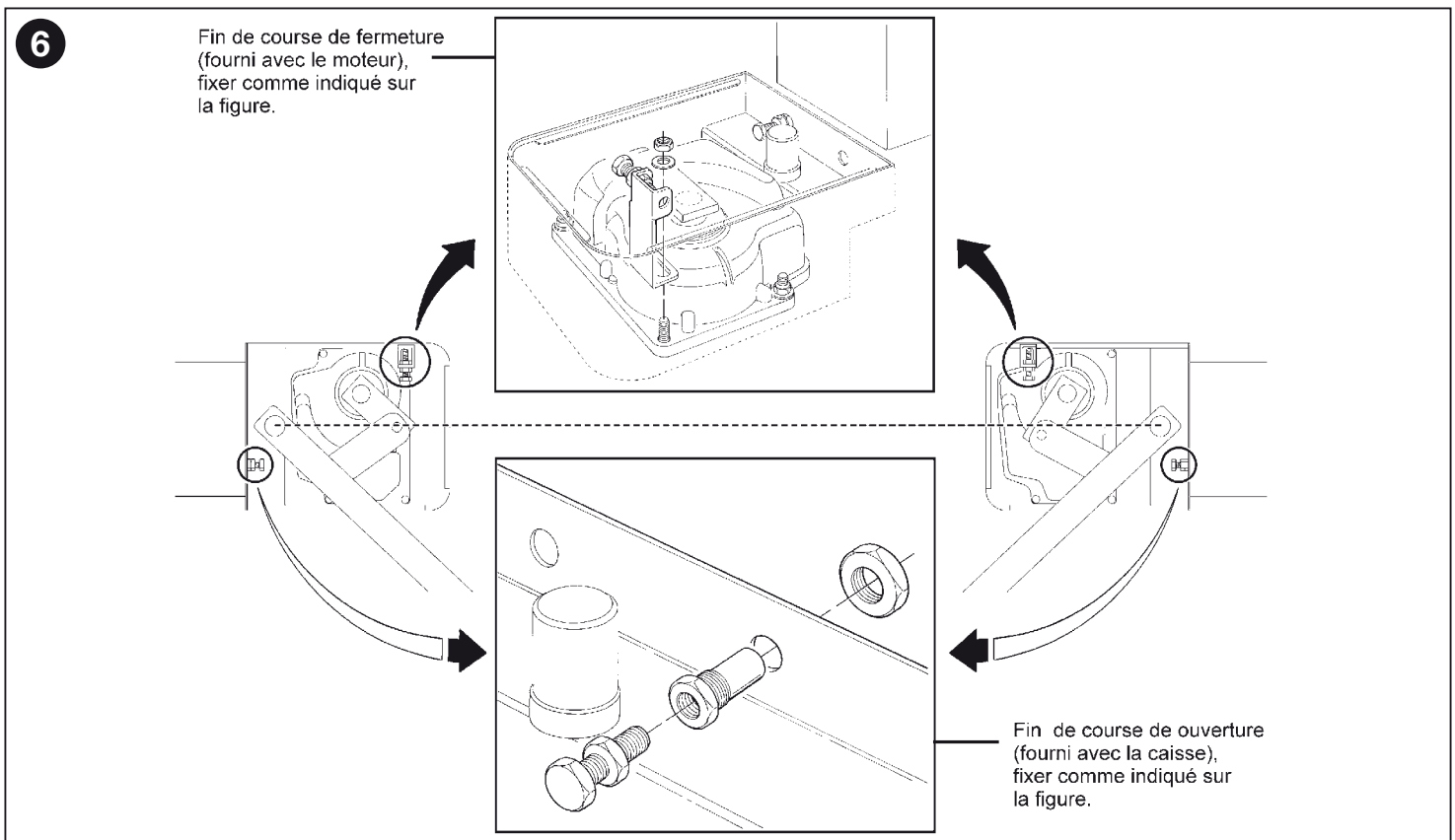
GRAPHIQUE A

ME3000 • ME3010 • ME3000L • ME3000/110 • ME3024



ME3024HS





Bleu = commun
Jaune-Vert = ⊕

4.1(b) - Pour le modèle ME3024, brancher les câbles comme suit:

Bleu = alimentation moteur
Marron = alimentation moteur
Noir = encodeur
Gris = encodeur
Jaune-Vert = ⊕

ATTENTION ! - Les moteurs disposent d'un câble de 2 mètres de longueur. **IL EST INTERDIT** d'effectuer des jonctions à l'intérieur de la caisse; pour les éventuels branchements, utiliser uniquement la boîte de dérivation (non fournie) afin de garantir la sécurité de l'installation.

4.2 - Positionnement des fins de course

Voir la fig. 6.

5 ESSAI DE L'AUTOMATISME

L'essai de toute l'installation doit être effectuée par du personnel qualifié et expérimenté qui devra se charger d'établir les essais prévus en fonction des risques présents. Pour l'essai de M-FAB, suivre cette procédure:

- fermer le portail;
- couper l'alimentation sur la logique de commande;
- Débrayer l'opérateur en libérant le battant comme l'indique le paragraphe "Débrayage manuel (débrayage avec clé et levier)" dans le chapitre "Instructions et recommandations destinées à l'utilisateur de l'opérateur M-FAB".
- ouvrir manuellement le portail sur toute sa course;
- vérifier que le portail ne présente pas de points de frottement durant le mouvement;
- vérifier que le portail arrêté dans n'importe quelle position et débrayé n'a pas tendance à se déplacer;
- vérifier que les systèmes de sécurité et les arrêts mécaniques sont en bon état;
- vérifier que les raccordements à vis sont bien serrés;
- nettoyer l'intérieur de la caisse et vérifier que l'évacuation de l'eau fonctionne correctement;
- quand les vérifications sont terminées, rebloquer l'opérateur et réalimenter la logique de commande;
- M-FAB n'est pas équipé du dispositif de réglage du couple, ce réglage est donc assuré par la logique de commande;

- Mesurer la force d'impact comme le prévoit la réglementation EN12453 et EN12445.

6 ENTRETIEN DU PRODUIT

La maintenance de M-FAB ne requiert pas d'opérations particulières mais un contrôle programmé au moins tous les six mois permet de garantir à l'opérateur une plus longue durée et d'assurer un fonctionnement correct et sûr du système.

La maintenance consiste simplement à répéter la procédure de contrôle.

ÉLIMINATION DU PRODUIT

Ce produit fait partie intégrante de l'automatisme et comme tel doit être éliminé avec celui-ci.

Comme pour les opérations d'installation, à la fin de la vie de ce produit, les opérations de démantèlement doivent elles aussi être accomplies par un personnel qualifié.

Ce produit est composé de différents types de matériaux: certains peuvent être recyclés alors que d'autres doivent être éliminés. Informez-vous à propos des systèmes de recyclage ou d'élimination prévus par les règlements en vigueur sur votre territoire pour cette catégorie de produit.

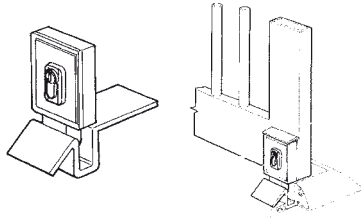
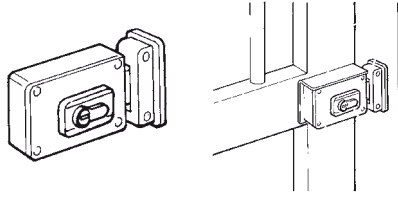
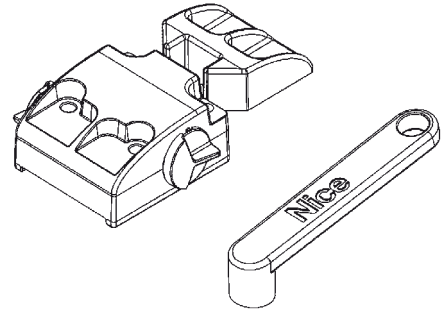
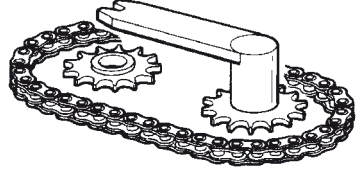
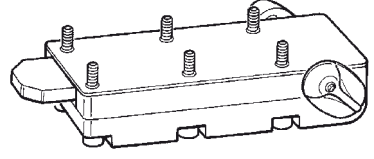
Attention! - certaines parties du produit peuvent présenter des substances polluantes ou dangereuses qui, si elles sont jetées dans la nature, pourraient avoir des effets nuisibles sur l'environnement et la santé humaine.

Comme cela est indiqué par le symbole ci-contre, il est interdit de jeter ce produit avec les déchets ménagers. Procédez donc à un "tri sélectif" en vue de son élimination en respectant les méthodes prévues par les règlements en vigueur sur votre territoire ou bien remettre le produit au vendeur lors de l'achat d'un nouveau produit équivalent.

Attention! - les règlements en vigueur au niveau local peuvent prévoir de lourdes sanctions en cas d'élimination abusive de ce produit.



Accessoires sur demande

| | | |
|---|---|---|
| <p>PLA10 Serrure électrique 12 Vca verticale</p>  | <p>PLA11 Serrure électrique 12 Vca horizontale</p>  | <p>MEA3 Débrayage à levier</p>  |
| <p>MEA1 Dispositif pour ouverture à 360°</p>  | <p>MEA2 Débrayage à serrure</p>  | |

CARACTÉRISTIQUES TECHNIQUES DU PRODUIT

AVERTISSEMENT: • Toutes les caractéristiques techniques indiquées se réfèrent à une température ambiante de 20°C (± 5°C). • Nice S.p.a. se réserve le droit d'apporter des modifications à ce produit à tout moment dès lors qu'elle le jugera nécessaire, à condition que sa fonctionnalité et sa finalité d'utilisation restent inchangées.

| | ME3000 | ME3010 | ME3000L | ME3000/110 | ME3024 | ME3024HS |
|-------------------------------|--------------------|----------------|----------------|----------------|---------|----------|
| Alimentation | 230 Vac; 50 Hz | 230 Vac; 50 Hz | 230 Vac; 50 Hz | 110 Vac; 60 Hz | 24 Vdc | 24 Vdc |
| Courant absorbé | 1.2 A | 1.2 A | 1.3 A | 2.4 A | 5 A | 6 A |
| Puissance absorbée | 250 W | 250 W | 300 W | 250 W | 120 W | 170 W |
| Condensateur incorporé | 10 uF | 10 uF | 10 uF | 30 uF | — | — |
| Degré de protection | IP 67 | IP 67 | IP 67 | IP 67 | IP 67 | IP 67 |
| Vitesse | 1.14 Rpm | 1.14 Rpm | 0.8 Rpm | 1.4 Rpm | 1.4 Rpm | 2.6 Rpm |
| Couple | 300 Nm | 300 Nm | 250 Nm | 300 Nm | 250 Nm | 180 Nm |
| Température de service | de -20 °C à +50 °C | | | | | |
| Protection thermique | 140 °C | 140 °C | 140 °C | 140 °C | — | — |
| Cycle de travail | 30 % | 40 % | 30 % | 30 % | 80 % | 80 % |
| Poids | 11 Kg | 11.5 Kg | 11 Kg | 11 Kg | 11 Kg | 11 Kg |

Déclaration CE de conformité et déclaration d'incorporation de « quasi-machine »

Déclaration conforme aux Directives : 2004/108/CE (EMC); 2006/42/CE (MD) annexe II, partie B.

Note - Le contenu de cette déclaration correspond à ce qui a été déclaré dans le document officiel déposé au siège social de Nice S.p.A. et, en particulier, à la dernière mise à jour disponible avant l'impression de ce manuel. Le présent texte a été réadapté pour raisons d'édition. Une copie de la déclaration originale peut être demandée à Nice S.p.a. (TV) - Italie.

Numéro de déclaration : **134/METRO** Révision : **11** Langue : **FR**

Nom du fabricant : NICE s.p.a.
Adresse : Via Pezza Alta N°13, 31046 Rustignè di Oderzo (TV) Italie.
Personne autorisée à constituer la documentation technique : NICE s.p.a. - Via Pezza Alta N°13, 31046 Rustignè di Oderzo (TV) Italie.
Type de produit : Opérateur électromécanique pour portails battants.
Modèle / Type : ME3024, ME3000, ME3000L, ME3000/110, ME3010, ME3024HS
Accessoires : Aucun accessoire.

Le soussigné Mauro Sordini, en qualité de Chief Executive Officer, déclare sous son entière responsabilité que les produits sus-indiqués sont conformes aux dispositions prescrites par les directives suivantes :

- DIRECTIVE 2004/108/CE du PARLEMENT EUROPÉEN ET DU CONSEIL du 15 décembre 2004 relative au rapprochement des législations des États membres concernant la compatibilité électromagnétique et abrogeant la Directive 89/336/CEE, selon les normes harmonisées suivantes : EN 61000-6-2:2005; EN 61000-6-3:2007 + A1:2011.

En outre, le produit s'avère conforme à la Directive ci-après selon les conditions essentielles requises pour les « quasi-machines » :

- Directive 2006/42/CE du PARLEMENT EUROPÉEN ET DU CONSEIL du 17 mai 2006 relative aux machines et modifiant la Directive 95/16/CE (refonte)
- Nous déclarons que la documentation technique pertinente a été remplie confor-

mément à l'Annexe VII B de la Directive 2006/42/CE et que les conditions essentielles suivantes ont été respectées :

1.1.1 - 1.1.2 - 1.1.3 - 1.2.1 - 1.2.6 - 1.5.1 - 1.5.2 - 1.5.5 - 1.5.6 - 1.5.7 - 1.5.8 - 1.5.10 - 1.5.11.

- Le fabricant s'engage à transmettre aux autorités nationales, en réponse à une demande motivée, les renseignements pertinents sur la « quasi-machine », sans préjudice de ses droits de propriété intellectuelle.
- Si la « quasi-machine » est mise en service dans un pays européen dont la langue officielle est différente de celle employée dans la présente déclaration, l'importateur est tenu d'accompagner la présente déclaration de la traduction y afférente.
- Nous avertissons que la « quasi-machine » ne devra pas être mise en service tant que la machine finale à laquelle elle sera incorporée n'aura pas à son tour été déclarée conforme, s'il y a lieu, aux dispositions de la Directive 2006/42/CE.

En outre, le produit s'avère conforme aux normes suivantes : EN 60335-1:2002 + A1:2004 + A11:2004 + A12:2006 + A2:2006 + A13:2008 + A14:2010 + A15:2011; EN 60335-2-103:2003 + A11:2009.

Le produit s'avère conforme, limitativement aux parties applicables, aux normes suivantes : EN 13241-1:2003 + A1:2011; EN 12445:2002; EN 12453:2002; EN 12978:2003 + A1:2009.

Oderzo, le 30 avril 2015

Ing. **Mauro Sordini**
(Chief Executive Officer)



1 ADVERTENCIAS Y PRECAUCIONES GENERALES PARA LA SEGURIDAD

1.1 - Advertencias

Este manual de instrucciones contiene informaciones importantes en materia de seguridad para la instalación; es necesario leer detenidamente todas las instrucciones antes de comenzar la instalación. Conserve este manual en buenas condiciones para su consultación posterior. • Considerando las situaciones de peligro que pueden generarse durante la instalación y el uso de M-FAB es oportuno que también la instalación sea realizada respetando plenamente las leyes, normas y reglamentos. En este capítulo se indicarán las advertencias de tipo general; otras advertencias importantes están presentes en los capítulos "2.1 Controles preliminares" y "5 Ensayo y puesta en servicio".

Según la legislación europea más reciente, la realización de una puerta o cancela automática entra en el ámbito de las disposiciones de la Directiva 98/37/CE (Directiva de Máquinas) y, en particular, de las normas: EN 12445; EN 12453 y EN 12635 que permiten declarar la presunción de conformidad.

Más informaciones, directrices para el análisis de los riesgos y para la realización del Expediente Técnico están disponibles en: "www.niceforyou.com".

- Este manual está destinado exclusivamente a personal técnico cualificado para la instalación. Salvo el anexo específico que el instalador se encargará de separar, "Instrucciones y advertencias destinadas al usuario del motorreductor M-FAB", ninguna de las informaciones aquí incluidas puede ser de interés para el usuario final.
- Está prohibido utilizar el M-FAB con una finalidad diferente de aquella dispuesta en estas instrucciones; un uso inadecuado puede causar peligros o daños a las personas o bienes.
- Antes de comenzar la instalación es oportuno efectuar un análisis de los riesgos que incluya la lista de los requisitos esenciales de seguridad previstos en el anexo I de la Directiva de Máquinas, indicando las soluciones correspondientes adoptadas.

¡ATENCIÓN! – Recuérdese que el análisis de los riesgos es uno de los documentos que forman el "expediente técnico" del automatismo.

- Compruebe si es necesario incorporar otros dispositivos que puedan servir para completar el automatismo con M-FAB según la situación de empleo específica y los peligros presentes: por ejemplo, deben considerarse los peligros de impacto, aplastamiento, corte, arrastre, etc. y otros peligros en general.
- No modifique ninguna parte salvo que esté previsto en estas instrucciones; los trabajos de este tipo pueden causar solamente desperfectos; NICE no es responsable de los daños que deriven de productos modificados.
- Durante la instalación y el uso procure que no puedan entrar elementos sólidos o líquidos dentro de la central o de otros dispositivos abiertos; de ser oportuno, diríjase al servicio de asistencia NICE; el uso de M-FAB en situaciones análogas puede originar peligros.
- El automatismo no puede utilizarse antes de haberlo puesto en servicio tal como especificado en el capítulo "5 Ensayo y puesta en servicio".
- El material de embalaje de M-FAB debe eliminarse respetando la normativa local.
- Si el desperfecto no pudiera resolverse utilizando las informaciones indicadas en este manual, diríjase al servicio de asistencia NICE.
- Si se desconectaran los interruptores automáticos o los fusibles, antes de restablecerlos hay que localizar y eliminar la avería.
- **Antes de acceder a los bornes de las conexiones de M-FAB desconecte todos los circuitos de alimentación;** si el dispositivo de desconexión no queda a la vista colóquelo un cartel que diga "ATENCIÓN MANTENIMIENTO EN CURSO".

2 DESCRIPCIÓN DEL PRODUCTO Y DESTINO DE USO

M-FAB es un motorreductor destinado a la automatización de una puerta de batiente de una o dos hojas.

¡ATENCIÓN! – Queda prohibido un empleo diferente de aquel antedicho y en condiciones diferentes de aquellas previstas en el manual.

M-FAB funciona con energía eléctrica, si se corta la alimentación eléctrica, es posible desbloquear el motorreductor con llaves específicas y mover las hojas manualmente.

3.1 - Controles preliminares

Antes de proceder con la instalación, es necesario comprobar que la estructura sea adecuada, es decir, que respete las normas vigentes; controle especialmente que: • la puerta no tenga puntos de fricción tanto durante el cierre como durante la apertura; • la puerta esté compensada correctamente, es decir que al detenerla en cualquier posición no tienda a moverse. • la carrera de la puerta sea silenciosa y regular; • la zona de fijación del motorreductor permita una maniobra manual fácil y segura; • el embalaje esté íntegro; • controle que la zona de fijación sea compatible con el tamaño de la caja (**fig.1**); • prevea un tope de parada de cierre y uno, si fuera posible, de apertura.

¡ATENCIÓN! – Recuerde que M-FAB motoriza una puerta (de una o dos hojas) que es eficiente y segura y no remedia los defectos procurados por una instalación inadecuada o por un mantenimiento carente.

3.2 - Límites de empleo

La forma, la altura de la puerta (ej. ciega) y las condiciones climáticas (ej. viento fuerte) pueden disminuir notablemente los valores indicados en el **Gráfico A**.

Nota – Si la puerta mide más de 2,5 m de longitud por cada hoja, se aconseja instalar una cerradura eléctrica (PLA10 o bien PLA11).

3.3 - Fijación

3.3.1 - Medidas y colocación de la caja de cimentación

1. Realice un pozo de cimentación según las medidas del motorreductor; se aconseja realizar un buen drenaje para que el agua no se estanque.
2. Fije a la caja el accesorio para el fin de carrera de apertura siguiendo con atención las instrucciones dadas en la **fig. 6**, para evitar una fijación incorrecta.
3. Coloque la caja adentro de la excavación, con el perno alineado con el eje de la bisagra (**fig. 2**).
4. Haga llegar un tubo para que pasen los cables eléctricos y uno para el drenaje.
5. Sumerja en el hormigón la caja de cimentación, nivelándola correctamente.
6. Introduzca en el perno de la caja la brida de mando, interponiendo la bola suministrada.
7. Apoye la hoja de la puerta sobre la palanca de desbloqueo y suéldela perfectamente.
8. Engrase mediante la boquilla de engrase.

3.3.2 - Instalación del motorreductor M-FAB

1. Quite las tuercas y arandelas indicadas en la **fig. 3**.
2. Coloque el motorreductor en el interior de la caja de cimentación, controlando que quede montado en el sentido exacto.
3. Fije el estribo para el fin de carrera de cierre en el agujero correspondiente (**fig. 6**).
4. Bloquee el motorreductor con las arandelas grower y con las 4 tuercas de bloqueo que se encuentran en la caja de los accesorios.
5. Conecte el motorreductor a la puerta, utilizando la palanca de conexión (2). (**fig. 4**).

3.4 - Instalación típica (véase la fig. 5)

- 1 = Columna para fotocélula
- 2 = Par de topes de apertura
- 3 = Línea 230V
- 4 = Cuadro de mando (central eléctrica)
- 5 = Antena
- 6 = Luz intermitente
- 7 = Fotocélula
- 8 = Caja con actuador M-FAB
- 9 = Electrocerradura vertical
- 10 = Selector de llave o teclado digital
- 11 = Caja de derivación (no suministrada)

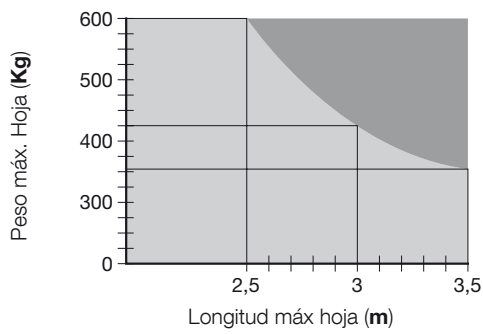
4 CONEXIONES ELÉCTRICAS

4.1(a) - Para el **ME3000** y **ME3010** conecte los cables de la siguiente manera:

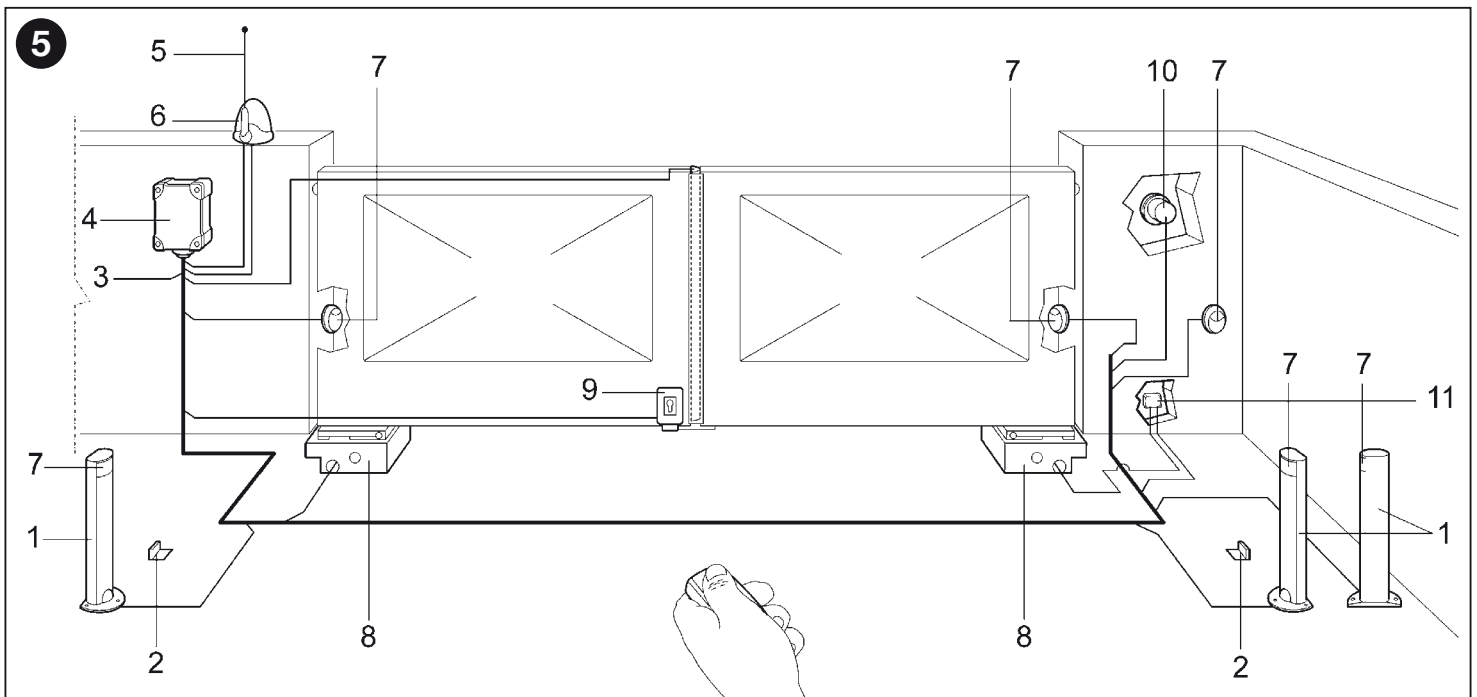
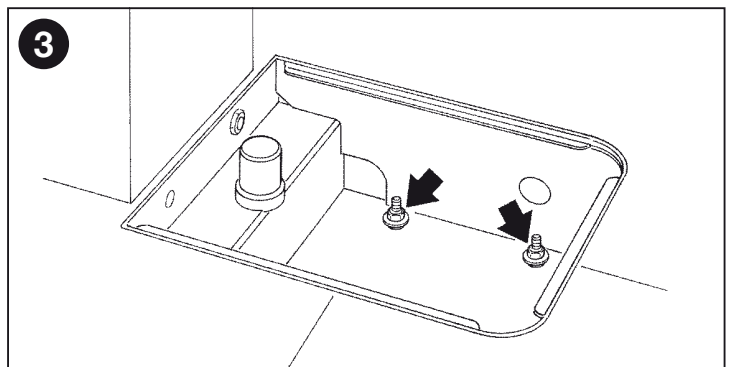
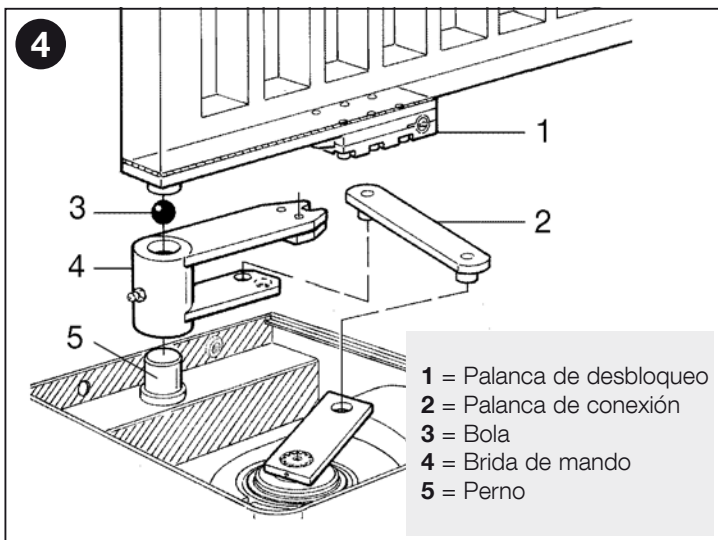
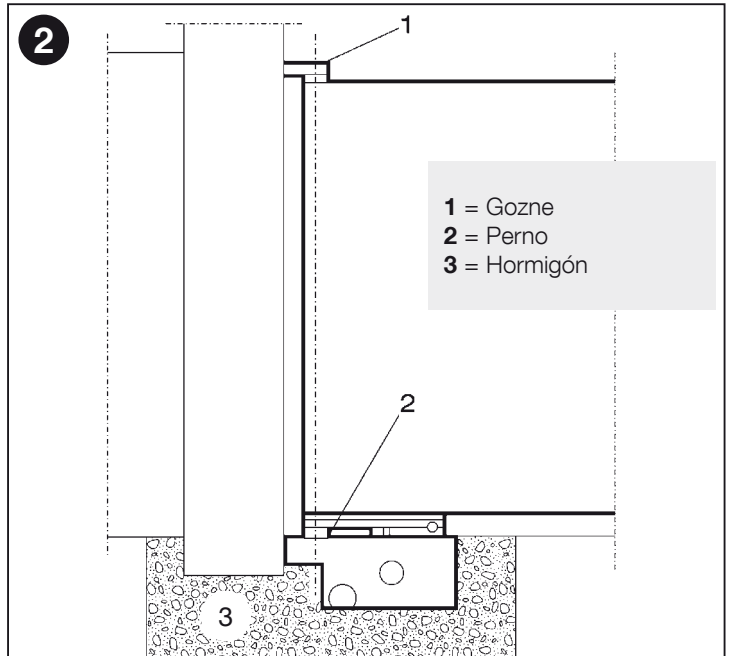
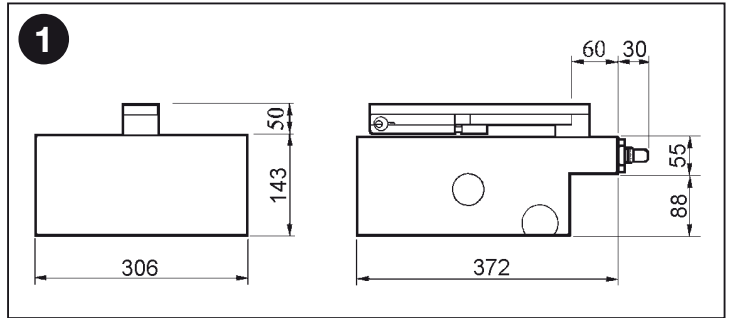
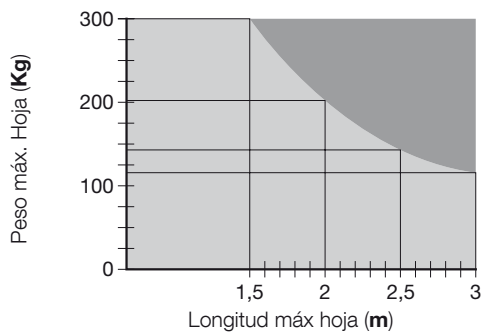
- Negro = Fase "abrir"
- Marrón = Fase "cerrar"
- Azul = Común
- Amarillo-Verde = ⊕

GRÁFICO A

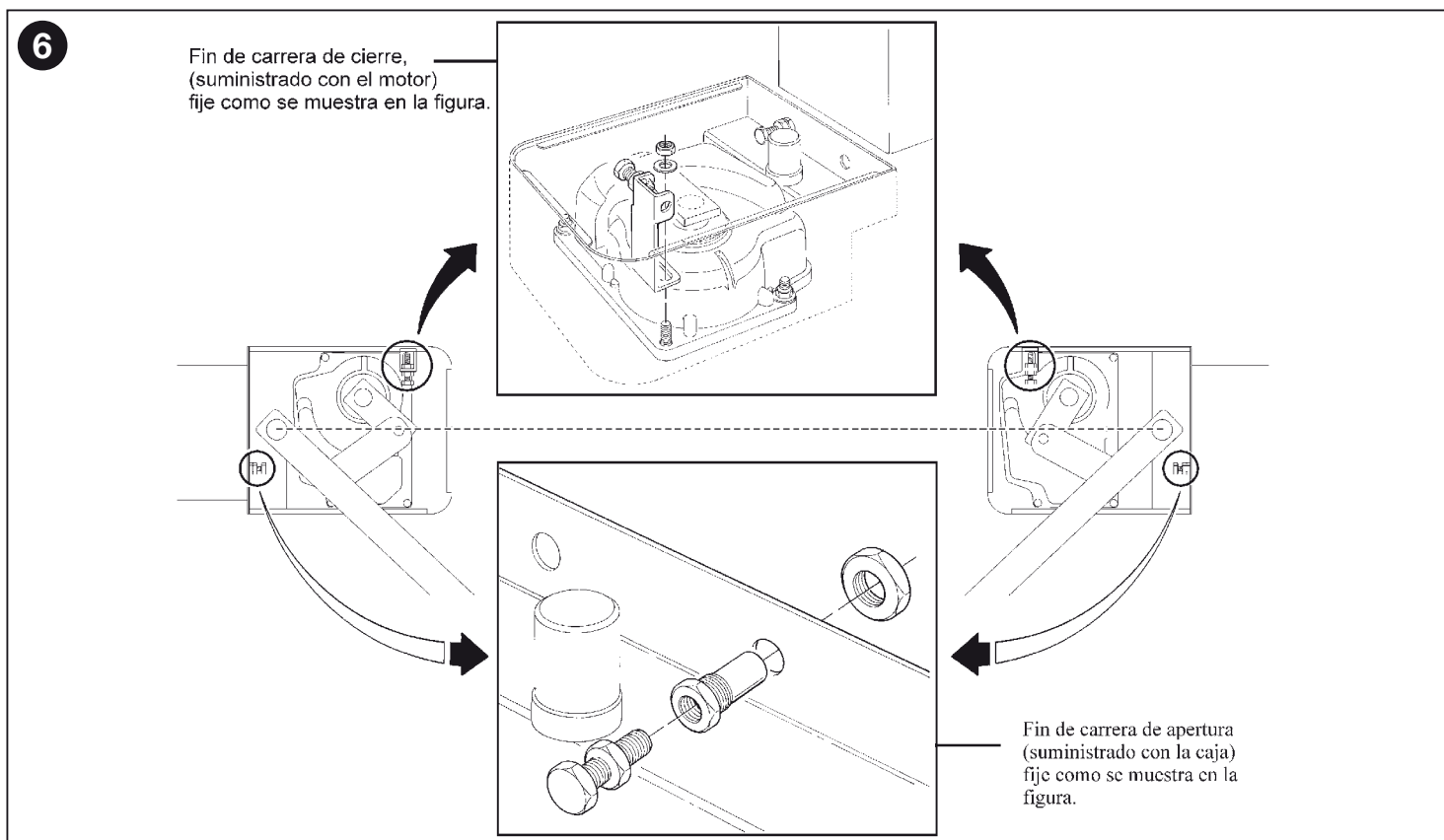
ME3000 • ME3010 • ME3000L • ME3000/110 • ME3024



ME3024HS



ES



4.1(b) - Para el **ME3024** conecte los cables de la siguiente manera:

- Azul** = Alimentación motor
- Marrón** = Alimentación motor
- Negro** = Encoder
- Gris** = Encoder
- Amarillo-Verde** = \oplus

¡ATENCIÓN! – Los motores están dotados de un cable de 2 M-FABs de longitud. **ESTÁ PROHIBIDO** realizar uniones en el interior de la caja; si tuviera que realizar conexiones, use únicamente la caja de derivación específica (no suministrada) para mantener la seguridad de la instalación.

4.2 - Instalación de los fines de carrera

Véase la **fig. 6**.

5 ENSAYO DEL AUTOMATISMO

El ensayo de toda la instalación debe ser efectuado por personal experto y cualificado, que debe realizar los ensayos requeridos en función del riesgo presente.

Para el ensayo de M-FAB siga este procedimiento:

- cierre la puerta;
- corte la alimentación de la central;
- Desbloquee el motorreductor de la hoja tal como indicado en el párrafo "Desbloqueo manual (desbloqueo con llave y con palanca)" en el capítulo "Instrucciones y advertencias destinadas al usuario del motorreductor M-FAB";
- mueva manualmente la puerta hasta el final de su carrera;
- controle que la puerta durante el movimiento no presente puntos de fricción;
- controle que la puerta detenida en cualquier punto y desbloqueada, no tienda a moverse;
- controle que los sistemas de seguridad y los topes mecánicos estén en buenas condiciones;
- controle que las conexiones roscadas estén bien apretadas;
- limpie el interior de la caja y controle que el drenaje del agua funcione correctamente;
- al concluir los controles, bloquee nuevamente el motorreductor y conecte la alimentación eléctrica de la central;
- M-FAB no está dotado de dispositivo de regulación de par; por lo tanto, dicha regulación la realiza la central de mando;
- mida la fuerza de choque, tal como previsto por las normas EN12453 y EN12445.

6 MANTENIMIENTO DEL PRODUCTO

El mantenimiento de M-FAB no requiere grandes trabajos; un control programado cada seis meses permite una mayor duración del motorreductor y un funcionamiento correcto y seguro del sistema.

El mantenimiento consiste simplemente en repetir el procedimiento de ensayo.

ELIMINACIÓN DEL PRODUCTO

Este producto es parte integrante del automatismo, y por lo tanto, debe eliminarse junto con éste.

Como para las operaciones de instalaciones, también al final de la vida de este producto, las operaciones de eliminación deben ser efectuadas por personal calificado.

Este producto está formado por varios tipos de materiales: algunos pueden reciclarse, otros deben eliminarse. Infórmese sobre los sistemas de reciclaje o eliminación previstos por los reglamentos vigentes en el territorio, para esta categoría de producto.

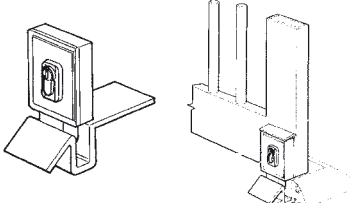
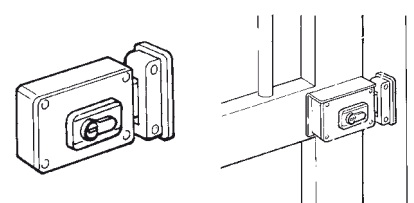
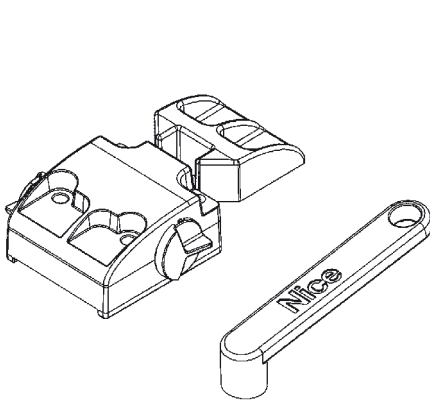
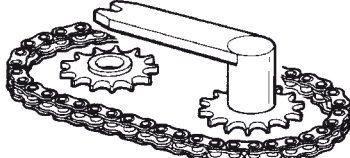
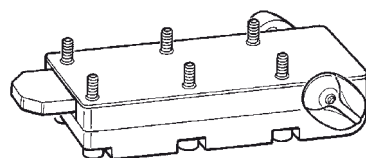
¡ATENCIÓN! – Algunas partes del producto pueden contener sustancias contaminantes o peligrosas que, si se abandonan en el medio ambiente, podrían provocar efectos dañinos en el mismo medio ambiente y en la salud humana.

Como se indica en el símbolo de al lado, se prohíbe echar este productos en los residuos domésticos. Efectúe por lo tanto la "recogida separada" para la eliminación según los métodos previstos por los reglamentos vigentes en su territorio, o entregue de nuevo el producto al vendedor en el momento de la compra de un nuevo producto equivalente.

¡ATENCIÓN! – las reglas vigentes a nivel local pueden prever importantes sanciones en caso de eliminación abusiva de este producto.



Accesorios bajo pedido

| | | |
|--|---|--|
| PLA10 Electrocerradura 12 Vca vertical  | PLA11 Electrocerradura 12 Vca horizontal  | MEA3 Desbloqueo con palanca específica  |
| MEA1 Dispositivo para apertura a 360°  | MEA2 Desbloqueo con cerradura  | |

CARACTERÍSTICAS TÉCNICAS DEL PRODUCTO

ADVERTENCIAS: • Todas las características técnicas indicadas se refieren a una temperatura ambiental de 20°C (± 5°C). • Nice s.p.a. se reserva el derecho de aportar modificaciones al producto en cualquier momento que considere necesario, manteniendo las mismas funciones y destino de uso.

| | ME3000 | ME3010 | ME3000L | ME3000/110 | ME3024 | ME3024HS |
|--------------------------------------|-----------------------|----------------|----------------|----------------|---------|----------|
| Alimentación | 230 Vac; 50 Hz | 230 Vac; 50 Hz | 230 Vac; 50 Hz | 110 Vac; 60 Hz | 24 Vdc | 24 Vdc |
| Corriente absorbida | 1.2 A | 1.2 A | 1.3 A | 2.4 A | 5 A | 6 A |
| Potencia absorbida | 250 W | 250 W | 300 W | 250 W | 120 W | 170 W |
| Condensador incorporado | 10 uF | 10 uF | 10 uF | 30 uF | — | — |
| Grado de protección | IP 67 | IP 67 | IP 67 | IP 67 | IP 67 | IP 67 |
| Velocidad | 1.14 Rpm | 1.14 Rpm | 0.8 Rpm | 1.4 Rpm | 1.4 Rpm | 2.6 Rpm |
| Par | 300 Nm | 300 Nm | 250 Nm | 300 Nm | 250 Nm | 180 Nm |
| Temperatura de funcionamiento | desde -20 °C a +50 °C | | | | | |
| Protección térmica | 140 °C | 140 °C | 140 °C | 140 °C | — | — |
| Ciclo de trabajo | 30 % | 40 % | 30 % | 30 % | 80 % | 80 % |
| Peso | 11 Kg | 11.5 Kg | 11 Kg | 11 Kg | 11 Kg | 11 Kg |

Declaración CE de conformidad y declaración de incorporación de una "cuasi máquina"

Declaración de conformidad con las Directivas: 2004/108/CE (CEM); 2006/42/CE (DM), anexo II, parte B.

Nota: el contenido de la presente declaración se corresponde con cuanto se declara en el documento oficial presentado en la sede de Nice S.p.a. y, en particular, con la última revisión disponible antes de la impresión de este manual. El texto aquí contenido se ha adaptado por cuestiones editoriales. No obstante, se puede solicitar una copia de la declaración original a Nice S.p.a. (TV) I.

Número de declaración: **134/METRO** Revisión: **11** Idioma: **ES**

Nombre del fabricante: NICE S.p.a.
Dirección: Via Pezza Alta N°13, 31046 Rustignè di Oderzo (TV), Italia.
Persona autorizada para elaborar la documentación técnica: NICE S.p.a. - Via Pezza Alta N°13, 31046 Rustignè di Oderzo (TV), Italia.
Tipo de producto: Motorreductor electromecánico para puertas batientes.
Modelo/Tipo: ME3024, ME3000, ME3000L, ME3000/110, ME3010, ME3024HS
Accesorios: Ninguno accesorio.

El abajo firmante Mauro Sordini, en calidad de Chief Executive Officer, bajo su propia responsabilidad, declara que los productos arriba indicados cumplen con las disposiciones contempladas en las siguientes Directivas:

- DIRECTIVA 2004/108/CE DEL PARLAMENTO EUROPEO Y DEL CONSEJO, de 15 de diciembre de 2004, relativa a la aproximación de las legislaciones de los Estados miembros en materia de compatibilidad electromagnética y por la que se deroga la Directiva 89/336/CEE, según las siguientes normas armonizadas: EN 61000-6-2:2005; EN 61000-6-3:2007 + A1:2011.

Asimismo, el producto también cumple con la siguiente Directiva de conformidad con los requisitos previstos para las "cuasi máquinas":

- Directiva 2006/42/CE DEL PARLAMENTO EUROPEO Y DEL CONSEJO de 17 de mayo de 2006 relativa a las máquinas y por la que se modifica la Directiva 95/16/CE (refundición)

- Se declara que la documentación técnica correspondiente se ha elaborado de conformidad con el anexo VII B de la Directiva 2006/42/CE y que se han respetado los siguientes requisitos fundamentales: 1.1.1 - 1.1.2 - 1.1.3 - 1.2.1 - 1.2.6 - 1.5.1 - 1.5.2 - 1.5.5 - 1.5.6 - 1.5.7 - 1.5.8 - 1.5.10 - 1.5.11.
- El fabricante se compromete a remitir a las autoridades nacionales, previa solicitud justificada, la información pertinente acerca de la "cuasi máquina", sin perjudicar en ningún momento los propios derechos de propiedad intelectual.
- En caso de que la "cuasi máquina" se ponga en funcionamiento en un país europeo cuya lengua oficial difiera de la que se utiliza en la presente declaración, el importador tiene la obligación de asociar la traducción correspondiente a esta declaración.
- Se advierte que la "cuasi máquina" no debe ponerse en funcionamiento hasta que, si procede, no se declare la conformidad con las disposiciones contempladas en la Directiva 2006/42/CE de la máquina final en que será incorporada.

El producto también cumple con las siguientes normas: EN 60335-1:2002 + A1:2004 + A11:2004 + A12:2006 + A2:2006 + A13:2008 + A14:2010 + A15:2011; EN 60335-2-103:2003 + A11:2009.

El producto, con limitación a las partes aplicables, también cumple con las siguientes normas: EN 13241-1:2003 + A1:2011; EN 12445:2002; EN 12453:2002; EN 12978:2003 + A1:2009.

Oderzo, 30 de abril 2015

Ing. **Mauro Sordini**
(Chief Executive Officer)



1 ALLGEMEINE SICHERHEITSHINWEISE UND VORSICHTSMASSNAHMEN

1.1 - Hinweise

Die vorliegenden Anweisungen enthalten wichtige Sicherheitsinformationen für die Installation; vor der Installation alle Anweisungen lesen und dieses Handbuch auch für die Zukunft sorgfältig aufbewahren.

Unter Berücksichtigung der Gefahren, die bei Installation und Bedienung von M-FAB auftreten können, muss die Installation für größte Sicherheit unter voller Einhaltung von Gesetzen, Vorschriften und Verordnungen erfolgen. In diesem Kapitel sind Hinweise allgemeiner Art gegeben; weitere wichtige Hinweise befinden sich in den Kapiteln "2.1 Vorprüfungen"; "5 Endprüfung und Inbetriebsetzung".

Nach der neuesten europäischen Gesetzgebung, gehört die Realisierung einer automatischen Tür oder eines automatischen Tors zu den Verordnungen der Richtlinie 98/37/CE (Maschinenrichtlinie) und insbesondere zu den Vorschriften: EN 12445; EN 12453 und EN 12635, die es erlauben, die vermutliche Konformität zu erklären.

Ulteriori informazioni, linee guida all'analisi dei rischi ed alla realizzazione Weitere Auskünfte und Hinweise zur Analyse der Risiken und der Realisierung der Technischen Unterlagen stehen in www.niceforyou.com zur Verfügung.

- Die vorliegende Anleitung ist nur für technisches Personal bestimmt, das für die Installation qualifiziert ist. Mit Ausnahme der Anlage „Anweisungen und Hinweise für den Benutzer des Toröffners M-FAB“, die der Installateur abtrennen muss, ist keine im vorliegenden Heft enthaltene Information als interessant für den Endbenutzer zu betrachten!
- Ein Gebrauch von M-FAB, der anders als in diesen Anweisungen vorgesehen ist, ist verboten; Ein unsachgemäßer Gebrauch kann Gefahren und Personen- oder Sachschäden verursachen.
- Vor der Installation ist die Risikoanalyse auszuführen, welche die Liste der wesentlichen Sicherheitsanforderungen, vorgesehen in Anlage I der Maschinenrichtlinie einschließen und die jeweiligen, angewendeten Lösungen angeben muss.

ACHTUNG! – Es wird daran erinnert, dass die Risikoanalyse einer der Unterlagen ist, die Bestandteil der „Technischen Dokumentation“ der Automatisierung sind.

- Je nach Einsatzbedingungen und vorhandenen Gefahren prüfen, ob weitere Vorrichtungen und Materialien erforderlich sind, um die Automatisierung mit M-FAB zu vervollständigen; berücksichtigt werden müssen zum Beispiel Aufprallgefahr, Quetsch- und Mitnehmgefahr usw. und sonstige Gefahren allgemein.
- Keine Änderungen an keinem Teil ausführen, falls nicht im vorliegenden Handbuch vorgesehen. Vorgänge dieser Art können nur Betriebsstörungen verursachen. NICE lehnt jegliche Haftung für Schäden aufgrund geänderter Produkte ab.
- Während Installation und Gebrauch vermeiden, dass Festteile oder Flüssigkeiten in die Steuerung und sonstige geöffnete Vorrichtungen eindringen können; wenden Sie sich ggf. an den NICE Kundendienst; der Gebrauch von M-FAB in solchen Situationen kann Gefahren verursachen.
- Der Automatismus darf erst verwendet werden, nachdem die Inbetriebsetzung ausgeführt wurde, wie in Punkt „5 Endprüfung und Inbetriebsetzung“ vorgesehen.
- Das Verpackungsmaterial von M-FAB muss unter voller Einhaltung der örtlichen Vorschriften entsorgt werden.
- Wenden ein Defekt mit dem im vorliegenden Handbuch gegebenen Infos nicht beseitigt werden kann, wenden Sie sich bitte an den NICE Kundendienst.
- Wenn Automatikschalter oder Sicherungen ausgelöst werden, muss vor ihrer Rückstellung der Defekt festgestellt und beseitigt werden.
- **Alle Versorgungskreisläufe vor dem Zugriff auf die Klemmen der Verbindungen von M-FAB abtrennen;** falls die Abtrennvorrichtung nicht sichtbar ist, ein Schild mit der Aufschrift :“ACHTUNG – WARTUNG IM GANG“ anbringen.

2 BESCHREIBUNG DES PRODUKTS UND BESTIMMUNGSZWECK

M-FAB ist ein Toröffner für die Automatisierung eines ein- oder zweiteiligen Drehtors. **ACHTUNG! – Jeder andere Gebrauch, der anders ist als oben beschrieben und unter anderen Bedingungen als in der vorliegenden Anleitung vorgesehen ist unzulässig.**

M-FAB funktioniert mit elektrischer Energie; bei Stromausfall kann der Toröffner

mit den speziellen Schlüsseln entriegelt werden; danach kann man die Torflügel von Hand bewegen.

3 INSTALLATION

3.1 - Vorprüfungen

Vor der Installation ist zu prüfen, ob sich die Torstruktur eignet, anders gesagt, ob sie mit den gültigen Vorschriften konform ist. Insbesondere prüfen, ob: • das Tor in Schließung sowie in Öffnung keine Reibungen aufweist; • das Tor gut ausgeglichen ist. Das heißt, dass es sich nicht bewegen darf, wenn es in beliebiger Stellung stillsteht; • das Tor einen leisen und regulären Lauf hat; • der Befestigungsbereich des Toröffners eine einfache und sichere Bewegung von Hand ermöglicht.; • die Verpackung unbeschädigt ist; • der Befestigungsbereich dem Platzbedarf des Kastens entspricht (**Abb.1**); • einen Endanschlag in Schließung und möglichst auch in Öffnung vorsehen.

ACHTUNG! – Es wird daran erinnert, dass M-FAB ein bereits effizientes und sicheres Tor (ein- oder zweiteilig) motorisiert; M-FAB kann Probleme aufgrund falscher Installation oder schlechter Wartung nicht lösen.

3.2 - Einsatzgrenzen

Form und Höhe des Tors (z.B. ausgefacht) sowie starker Wind können die Werte in der **Schaubild A** zeigen.

Anmerkung – Sollte jeder Torflügel länger als 2,5 m sein, wird der Einbau eines Elektroschlusses (PLA10 oder PLA11) empfohlen.

3.3 - Befestigung

3.3.1 - Gesamtabmessungen und Positionieren des Fundamentkastens

1. Je nach den Gesamtabmessungen eine Ausgrabung für den Fundamentkasten ausführen; eine gute Drainage vorsehen, um Wasserrückstau zu vermeiden.
2. Das Zubehör für den Endschalter in Öffnung am Fundamentkasten befestigen; die genau befolgen Anweisungen in der **Abb. 6**, um eine falsche Befestigung zu vermeiden.
3. Den Fundamentkasten in der Ausgrabung anbringen; der Zapfen muss mit der Achse des Scharniers fluchten (**Abb. 2**).
4. Eine Leitung für die Elektrokabel und eine für die Drainage vorsehen.
5. Den Fundamentkasten im Beton versenken, genau nivellieren und die Höhe beachten.
6. Den Steuerbügel auf den Zapfen des Kastens stecken; die mitgelieferte Kugel zwischenlegen.
7. Den Torflügel auf den Entriegelungshebel stützen und fest anschweißen.
8. Mit der speziellen Fettbüchse einfetten.

3.3.2 - Installation des Toröffners M-FAB

1. Entfernen Sie die Muttern und Unterlegscheiben, in **Abb. 3** dargestellt.
2. Den Toröffner im Fundamentkasten anbringen; sicher stellen, dass er im richtigen Sinn eingebaut wird.
3. Den Bügel für den Endschalter in Schließung in der dazu vorgesehenen Bohrung befestigen (**Abb 6**).
4. Den Toröffner mit den Grower-Unterlegscheiben und den 4 selbstsperrenden Muttern in der Zubehörschachtel befestigen.
5. Den Toröffner mit dem Verbindungsbügel (2) mit dem Tor verbinden (**Abb. 4**).

3.4 - Typische Anlage (siehe Abb. 5)

- 1 = Standsäule für Photozelle
- 2 = Paar Endanschläge in Öffnung
- 3 = 230V Linie
- 4 = Steuerung
- 5 = Antenne
- 6 = Blinkleuchte
- 7 = Photozelle
- 8 = Fundamentkasten mit Toröffner M-FAB
- 9 = Elektroschloss, vertikal
- 10 = Schlüsseltaster oder digitales Codeschloss
- 11 = Abzweigkasten (nicht mitgeliefert)

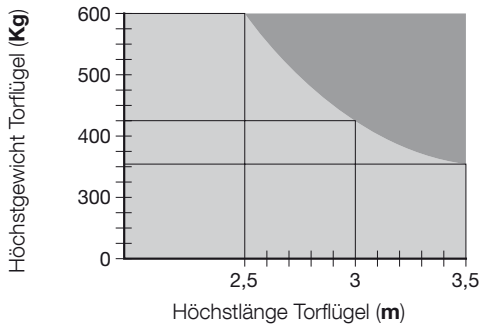
4 ELEKTRISCHE ANSCHLÜSSE

4.1(a) - Für **ME3000** und **ME3010**, die Kabel wie folgt anschließen:

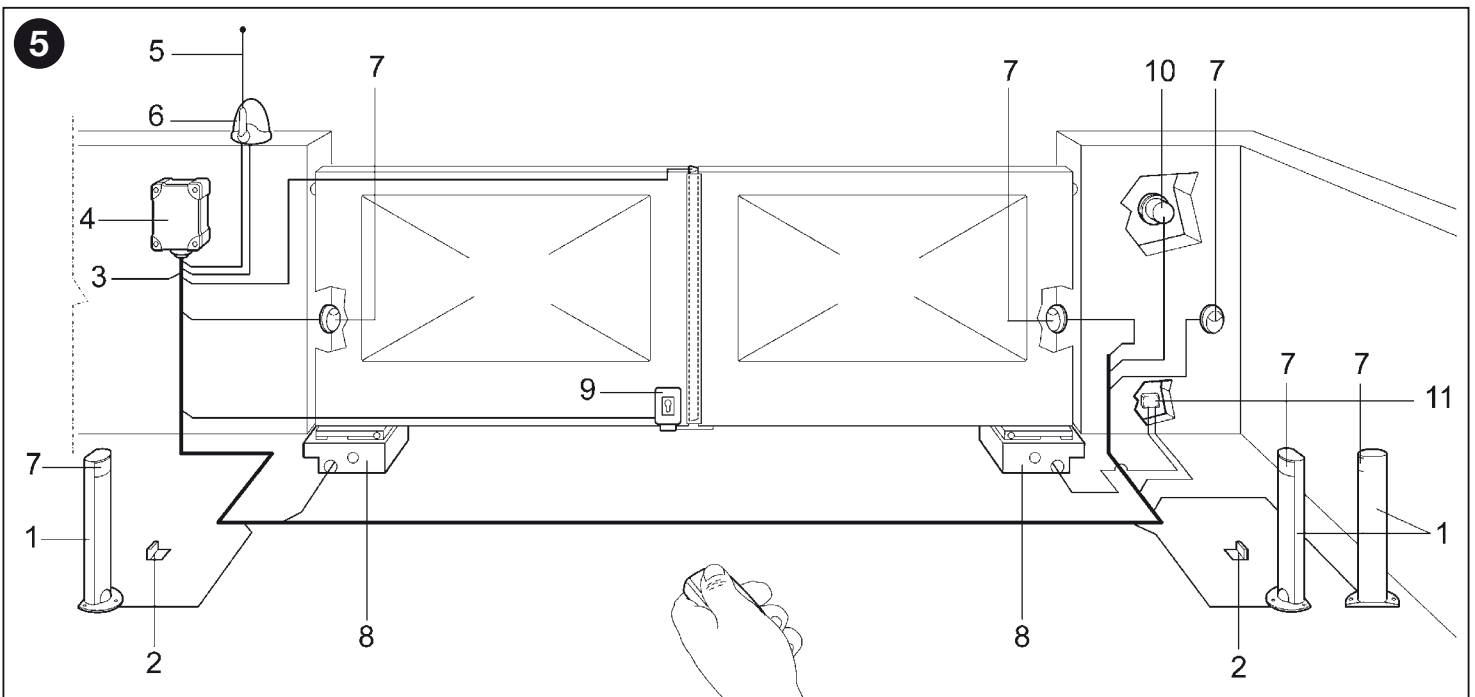
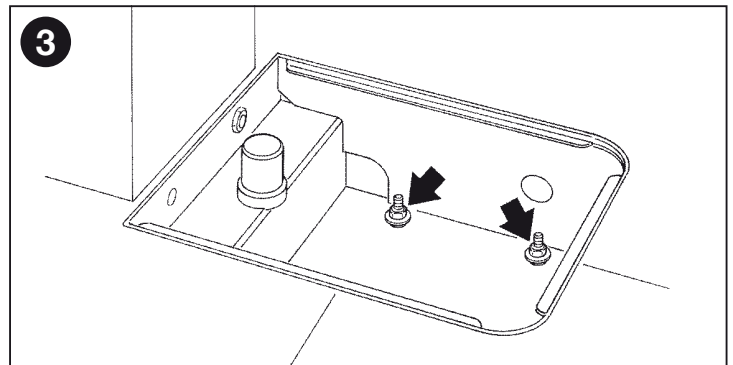
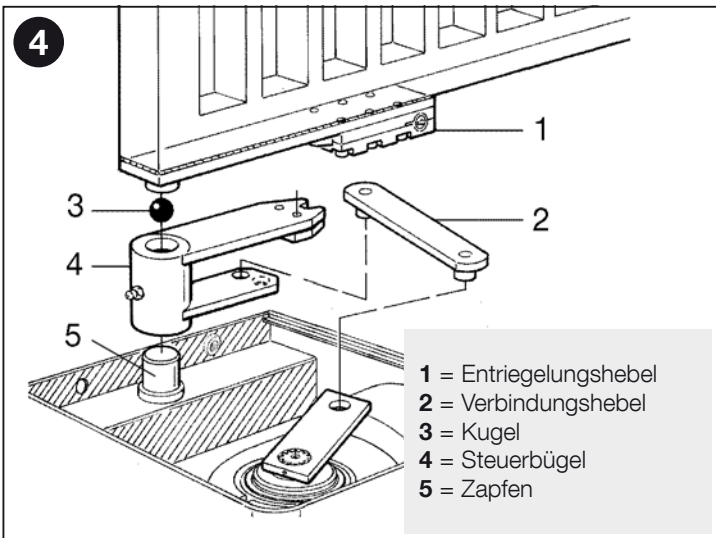
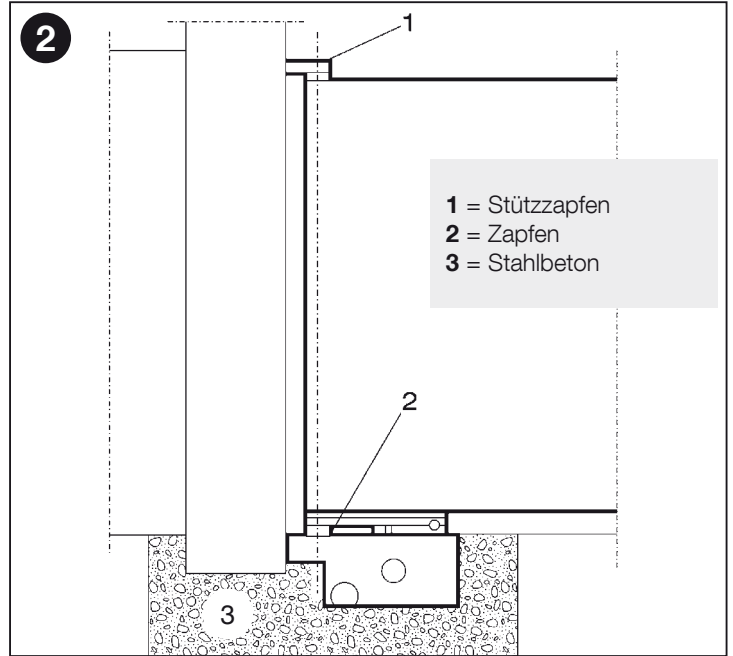
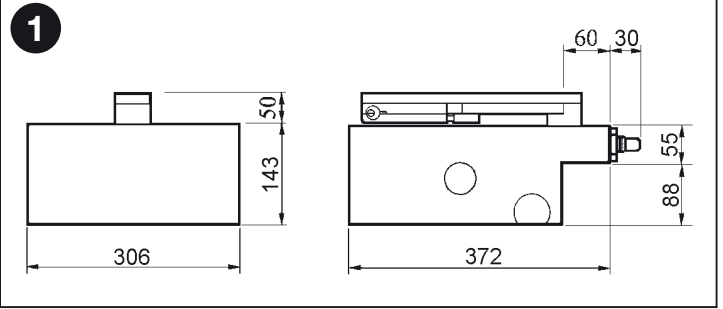
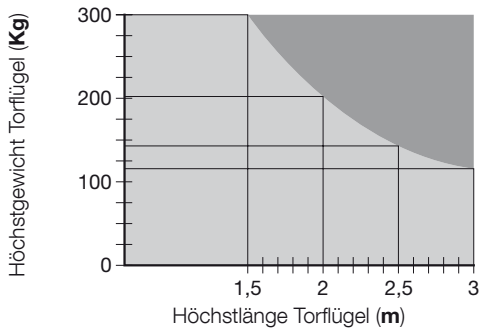
- Schwarz** = Phase "öffnet"
- Braun** = Phase "schließt"

SCHAUBILD A

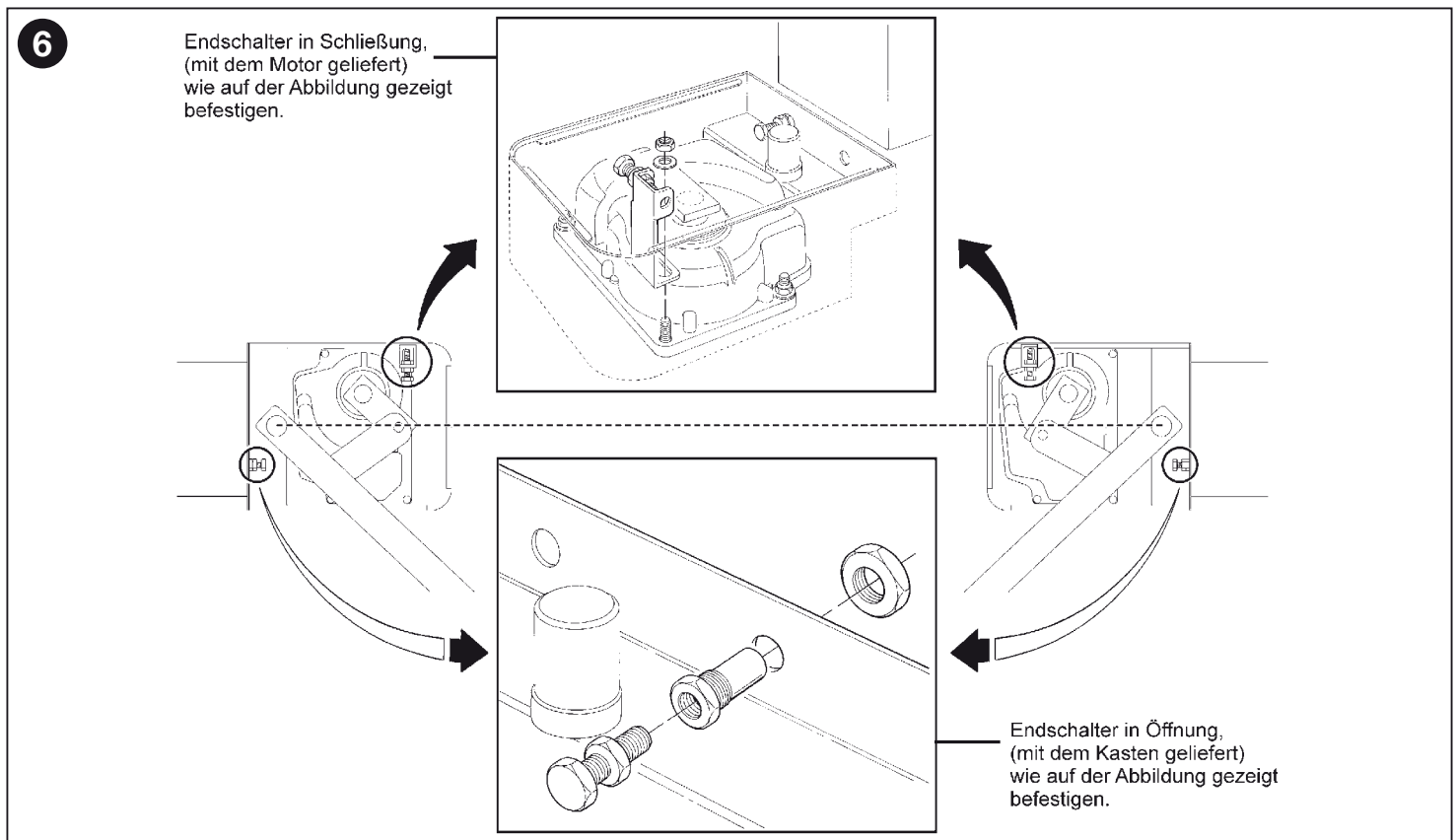
ME3000 • ME3010 • ME3000L • ME3000/110 • ME3024



ME3024HS



DE



Blau = Gemeinsam

Gelb-Grün = ⊕

4.1(b) - Für **ME3024**, die Kabel wie folgt anschließen:

Blau = Motorversorgung

Braun = Motorversorgung

Schwarz = Encoder

Grau = Encoder

Gelb-Grün = ⊕

ACHTUNG! – Die Motoren verfügen über ein 2m langes Kabel. **ES IST VERBOTEN**, Kabel im Kasten zusammen zu fügen; für eventuelle Verbindungen nur den speziellen Abzweigkasten (nicht mitgeliefert) verwenden, um den Sicherheitsgrad der Anlage beizubehalten.

4.2 - Positionieren der Endschalter

Siehe **Abb. 6**.

5 ENDPRÜFUNG DER ANTRIEBSAUTOMATIK

Die Abnahme der gesamten Anlage muss von erfahrenem Fachpersonal mit Tests ausgeführt werden, die dem vorhandenen Risiko entsprechen müssen. Für die Abnahme von M-FAB wie folgt vorgehen:

- das Tor schließen;
- die Versorgung zur Steuerung abschalten;
- Den Toröffner vom Torflügel entriegeln, siehe Abschnitt "Manuelle Entriegelung (Entriegelung mit Schlüssel und Hebel)" im Kapitel "Anweisungen und Hinweise für den Benutzer des Toröffners M-FAB".
- das Tor von Hand ganz öffnen;
- prüfen, dass das Tor während der Bewegung nicht durch Reibung behindert wird;
- prüfen, dass sich das Tor nicht bewegt, wenn es in beliebiger Stellung stillsteht;
- prüfen, dass sich die Sicherheitssysteme und die mechanischen Anschläge in gutem Zustand befinden;
- prüfen, dass die Schraubverbindungen fest angezogen sind;
- das Kasteninnere reinigen und prüfen, ob der Wasserabfluss korrekt funktioniert;
- den Toröffner nach Beendigung der Überprüfungen wieder verriegeln und die Steuerung versorgen;
- M-FAB hat keine Drehmomentregelung, diese Regelung ist daher der Steuerung anvertraut;
- die Aufprallkraft messen, wie von den Normen EN12453 und EN12445 vorgesehen.

6 WARTUNG DES PRODUKTS

Für die Wartung von M-FAB sind keine besonderen Maßnahmen erforderlich, jedoch gewährleistet eine programmierte Kontrolle mindestens alle sechs Monate eine längere Lebensdauer des Toröffners und den korrekten und sicheren Betrieb des Systems.

Die Wartung besteht einfach aus der Wiederholung des Abnahmeverfahrens.

ENTSORGUNG DES PRODUKTS

Dieses Produkt ist Teil der Antriebsautomatik und ist daher mit dieser zu entsorgen.

Wie die Installationsverfahren ist auch die Verschrottung am Lebensende dieses Produkts von Fachpersonal vorzunehmen.

Dieses Produkt besteht aus verschiedenen Materialtypen: Einige können recycelt werden, andere sind zu entsorgen. Informieren Sie sich bitte über die Recycling- oder Entsorgungssysteme, die von den in Ihrem Land geltenden Bestimmungen für diese Produktkategorie vorgesehen sind.

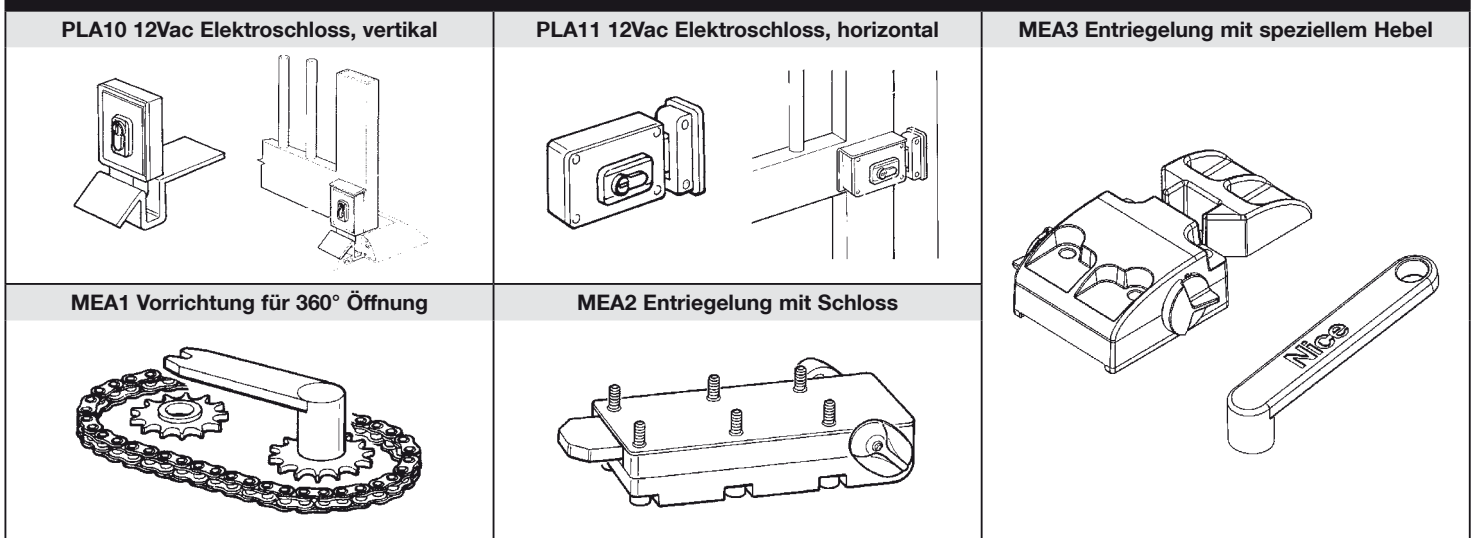
ACHTUNG! – Einige Teile des Produkts können Schad- oder Gefahrenstoffe enthalten, die bei Zerstreuung in der Umwelt schädliche Auswirkungen auf die Umwelt und auf die menschliche Gesundheit haben könnten.

Wie vom seitlichen Symbol angezeigt, ist es verboten, dieses Produkt in den Hausmüll zu werfen. Zur Entsorgung ist daher die "getrennte Müllsammlung" nach den Methoden vorzunehmen, die von den in Ihrem Land geltenden Bestimmungen vorgesehen sind. Das Produkt kann beim Kauf eines neuen gleichwertigen Produkts auch an den Händler zurückgegeben werden.

ACHTUNG! – Die auf örtlicher Ebene geltenden Bestimmungen können im Fall einer rechtswidrigen Entsorgung dieses Produkts schwere Strafen vorsehen.



Sonderzubehör



TECHNISCHE MERKMALE DES PRODUKTS

HINWEISE: • Alle hier wiedergegebenen technischen Merkmale beziehen sich auf eine Umgebungstemperatur von 20°C (± 5°C). • Die Firma Nice S.p.a. behält sich das Recht vor, jederzeit Änderungen am Produkt vorzunehmen, falls sie es für notwendig hält, wobei jedoch dieselbe Funktionstüchtigkeit und derselben Bestimmungszweck beibehalten wird.

| | ME3000 | ME3010 | ME3000L | ME3000/110 | ME3024 | ME3024HS |
|--------------------------------|-------------------|----------------|----------------|----------------|---------|----------|
| Versorgung | 230 Vac; 50 Hz | 230 Vac; 50 Hz | 230 Vac; 50 Hz | 110 Vac; 60 Hz | 24 Vdc | 24 Vdc |
| Stromaufnahme | 1.2 A | 1.2 A | 1.3 A | 2.4 A | 5 A | 6 A |
| Leistungsaufnahme | 250 W | 250 W | 300 W | 250 W | 120 W | 170 W |
| Eingebauter Kondensator | 10 uF | 10 uF | 10 uF | 30 uF | — | — |
| Schutzart | IP 67 | IP 67 | IP 67 | IP 67 | IP 67 | IP 67 |
| Geschwindigkeit | 1.14 Rpm | 1.14 Rpm | 0.8 Rpm | 1.4 Rpm | 1.4 Rpm | 2.6 Rpm |
| Drehmoment | 300 Nm | 300 Nm | 250 Nm | 300 Nm | 250 Nm | 180 Nm |
| Betriebstemperatur | -20 °C bis +50 °C | | | | | |
| Wärmeschutz | 140 °C | 140 °C | 140 °C | 140 °C | — | — |
| Arbeitszyklus | 30 % | 40 % | 30 % | 30 % | 80 % | 80 % |
| Gewicht | 11 Kg | 11.5 Kg | 11 Kg | 11 Kg | 11 Kg | 11 Kg |

CE-Konformitätserklärung und Einbauerklärung der „unvollständigen Maschine“

Erklärung in Übereinstimmung mit den Richtlinien: 2004/108/EG (EMV); 2006/42/EG (MD) Anlage II, Teil B.

Anmerkung - Der Inhalt dieser Erklärung entspricht den Angaben im offiziellen Dokument, das im Sitz der Nice S.p.A. hinterlegt ist und der letzten verfügbaren Revision vor dem Druck dieser Anleitung. Dieser Text wurde aus redaktionellen Gründen angepasst. Die Kopie der Original-Erklärung kann bei der Firma Nice S.p.A. (TV) I. angefordert werden.

Nummer der Erklärung: **134/METRO** Revision: **11** Sprache: **DE**

Name des Herstellers: NICE s.p.a.
Adresse: Via Pezza Alta N°13, 31046 Rustignè di Oderzo (TV) Italy.
Bevollmächtigte Person zum Zusammenstellen der technischen Unterlagen:
 NICE s.p.a. – Via Pezza Alta N°13, 31046 Rustignè di Oderzo (TV) Italy
Art des Produkts: Elektromechanisches Getriebe für Drehtore.
Modell / Typ: ME3024, ME3000, ME3000L, ME3000/110, ME3010, ME3024HS
Zubehör: Kein Zubehör.

Der Unterzeichnende Mauro Sordini, in seiner Funktion als Chief Executive Officer, erklärt auf eigene Verantwortung, dass die oben genannten Produkte den Bestimmungen entsprechen, die in folgenden Richtlinien enthalten sind:

- RICHTLINIE 2004/108/EG DES EUROPÄISCHEN PARLAMENTS UND DES RATES vom 15. Dezember 2004 zur Angleichung der Rechtsvorschriften der Mitgliedsstaaten über die elektromagnetische Verträglichkeit und zur Aufhebung der Richtlinie 89/336/EWG, gemäß den folgenden harmonisierten Normen: EN 61000-6-2:2005; EN 61000-6-3:2007 + A1:2011.

Außerdem entspricht das Produkt folgender Richtlinie, entsprechend der vorgesehenen Anforderungen für die „unvollständigen Maschinen“:

- Richtlinie 2006/42/EG DES EUROPÄISCHEN PARLAMENTS UND DES RATES vom 17. Mai 2006 über Maschinen, welche die Richtlinie 95/16/EG ändert (Überarbeitung)

- Hiermit wird erklärt, dass die entsprechenden technischen Unterlagen in Übereinstimmung mit Anlage VII B der Richtlinie 2006/42/EG zusammengestellt und die folgenden wesentlichen Anforderungen eingehalten wurden:
1.1.1 - 1.1.2 - 1.1.3 - 1.2.1 - 1.2.6 - 1.5.1 - 1.5.2 - 1.5.5 - 1.5.6 - 1.5.7 - 1.5.8 - 1.5.10 - 1.5.11.
- Der Hersteller verpflichtet sich, die Informationen über die „unvollständige Maschine“ auf Verlangen an die nationalen Behörden weiterzuleiten, wobei die eigenen Rechte des geistigen Eigentums beibehalten werden.
- Wenn die „unvollständige Maschine“ in einem europäischen Land in Betrieb genommen wird, deren offizielle Sprache nicht der in dieser Erklärung entspricht, ist der Importeur verpflichtet, dieser Erklärung die entsprechende Übersetzung beizulegen.
- Wir weisen darauf hin, dass die „unvollständige Maschine“ erst dann in Betrieb genommen werden darf, wenn gegebenenfalls festgestellt wurde, dass die Maschine, in die die unvollständige Maschine eingebaut werden soll, den Bestimmungen der Richtlinie 2006/42/EG entspricht.

Außerdem entspricht das Produkt folgenden Normen: EN 60335-1:2002 + A1:2004 + A11:2004 + A12:2006 + A2:2006 + A13:2008 + A14:2010 + A15:2011; EN 60335-2-103:2003 + A11:2009.

Das Produkt entspricht, auf die anwendbaren Teile begrenzt, folgenden Normen: EN 13241-1:2003 + A1:2011; EN 12445:2002; EN 12453:2002; EN 12978:2003 + A1:2009.

Oderzo, 30. April 2015

Ing. **Mauro Sordini**
(Chief Executive Officer)



1 OGULNE OSTRZEŻENIA I ŚRODKI BEZPIECZEŃSTWA

1.1 - Ostrzeżenia

Ta instrukcja zawiera ważne informacje dotyczące bezpieczeństwa podczas instalowania, należy się z nią zapoznać przed rozpoczęciem prac instalacyjnych. Niniejsza instrukcję należy przechowywać w celu ewentualnej, przyszłej konsultacji. • Biorąc pod uwagę niebezpieczeństwa, jakie mogą wystąpić podczas instalowania i użytkowania M-FAB, dla zwiększenia bezpieczeństwa, instalacja musi odpowiadać przepisom, normom i uregulowaniom prawnym. W tym rozdziale są przywołane wszystkie ostrzeżenia ogólne, inne, ważne ostrzeżenia są podane w rozdziałach "3.1 Kontrola wstępna"; "5 Odbiór i uruchomienie do pracy".

Według obowiązujących przepisów europejskich, wykonanie drzwi lub bramy automatycznej musi być zgodne z Dyrektywą 98/37/CE (Dyrektywa Maszyn), a w szczególności musi odpowiadać normom: EN 12445; EN 12453 i EN 12635, które pozwalają na uzyskanie świadectwa zgodności.

Dodatkowe informacje, wytyczne do analiz zagrożeń i Książka Techniczna, są dostępne na: www.niceforyou.com.

- Niniejsza instrukcja jest przeznaczona wyłącznie dla wykwalifikowanego personelu instalującego. Poza załączoną specyfikacją do oderwania dla instalatora, "Instrukcje i ostrzeżenia przeznaczone dla użytkownika siłownika M-FAB", żadna inna informacja zawarta w niniejszej broszurze nie jest potrzebna dla ostatecznego użytkownika!
- Użycie M-FAB do innych celów niż przewidziano w niniejszej instrukcji jest zabronione; użycie niezgodne z przeznaczeniem może być powodem niebezpieczeństwa lub wyrządzić szkody ludziom albo rzeczom.
- Przed rozpoczęciem instalowania należy wykonać analizę zagrożeń z wykazem podstawowych warunków bezpieczeństwa, przewidzianych w załączniku I Dyrektywy Maszyn, wskazując odpowiednie rozwiązania jakie należy zastosować.

UWAGA! – Przypomina się, że analiza zagrożeń jest jednym z dokumentów składających "książki technicznej" automatyzacji.

- Należy sprawdzić konieczność zastosowania dodatkowych urządzeń w celu skompletowania automatyzacji z M-FAB na podstawie istniejących warunków użytkowania i innych, występujących zagrożeń; muszą, na przykład, być wzięte pod uwagę zagrożenia wynikające z uderzenia, zgniecenia, wciągnięcia itp., i inne ogólne zagrożenia.
- Nie wykonywać żadnych zmian na żadnej z części, jeśli nie są przewidziane w niniejszej instrukcji; operacje tego rodzaju mogą jedynie spowodować niewłaściwe działanie; NICE nie bierze odpowiedzialności za szkody powstałe na zmodyfikowanym produkcie.
- Podczas instalowania i użytkowania, należy uważać, aby do wnętrza centrali i innych urządzeń otwartych nie dostały się elementy stałe lub płyny; ewentualnie należy zwrócić się do serwisu technicznego NICE; użytkowanie M-FAB w takich sytuacjach może spowodować niebezpieczeństwo.
- Automat nie może być użytkowany nim nie zostanie dopuszczony do pracy, zgodnie z rozdziałem: "5 Odbiór i dopuszczenie do pracy".
- Opakowanie M-FAB musi być zlikwidowane zgodnie z miejscowymi przepisami.
- Gdy naprawa wykonana według wskazówek umieszczonych w niniejszej instrukcji nie da oczekiwanego efektu, należy skontaktować się z serwisem firmy NICE.
- Po zadziałaniu wyłączników automatycznych lub bezpieczników i przed ich przywróceniu do pierwotnej postaci, należy określić i wyeliminować usterkę.
- **Przed zbliżeniem się do zacisków złączy siłownika M-FAB odłączyć wszystkie instalacje zasilające;** jeśli urządzenie wyłączające jest niewidoczne z miejsca pracy, należy zawiesić tablicę "UWAGA - PRACE W TOKU".

2 OPIS PRODUKTU I PRZEZNACZONE UŻYCIĘ

M-FAB jest siłownikiem przeznaczonym do automatyzacji jedno lub dwu skrzydłowej bramy. **UWAGA! – Każde inne użytkowanie od powyżej opisanego i w warunkach innych od wskazanych w instrukcji jest zabronione.**

M-FAB działa na energię elektryczną, gdy jest jej brak można odsprzęglić siłownik właściwym kluczem i otworzyć ręcznie.

3 MONTAŻ

3.1 - Kontrola wstępna

Przed przejściem do instalowania sprawdzić czy struktura jest właściwa, czyli, w innych słowach, odpowiada aktualnie obowiązującym normom i sprawdzić czy: • przy otwieraniu i zamykaniu bramy nie ma punktów nadmiernego tarcia; • brama jest wyważona, czyli zatrzymana w jakimkolwiek punkcie nie porusza się; • brama porusza się cicho i płynnie; • miejsce gdzie ma być zamocowany siłownik jest bezpieczne i odpowiednie dla pracy monterów; • opakowanie jest w integralnym; • Zwryfikować, czy miejsce na zainstalowanie siłownika jest odpowiednie dla wymiarów jego obudowy (**rys 1**); • posiada zderzak krańcowy przy zamykaniu jak i otwieraniu.

UWAGA! – Przypominamy, że M-FAB jest urządzeniem napędowym do bramy (jedno lub dwu skrzydłowej), wydajnym i pewnym, ale nie usuwa wad spowodowanych błędnym zainstalowaniem czy źle wykonanymi czynnościami konserwacyjnymi.

3.2 - Ograniczenia w użytkowaniu

Forma, wysokość bramy (np. ślepa) i warunki klimatyczne (np. Silny wiatr) mogą zmniejszyć nawet znacznie wartości wskazane w **Schemat A**.

Adnotacja – Jeśli każde skrzydło bramy jest dłuższe od 2,5 m zaleca się za instalowania zamka elektrycznego (PLA10 lub PLA11).

3.3 - Przymocowanie

3.3.1 - Wymiary gabarytowe i wykonanie skrzynki fundamentowej

1. Na podstawie wymiarów gabarytowych wykopać dołek na fundamenta (patrz paragraf 4), zaplanować także kanał na odpływ wody.
2. Przymocować do skrzyni część na zderzak według instrukcji wskazanych na **rys. 6**, tak aby nie popełnić błędu przy mocowaniu.
3. Włożyć skrzynkę do dołku tak, aby sworzeń ustawiony był w linii z zamkiem (**rys. 2**).
4. Zaplanować przejście kanalika na przewody elektryczne i jeden na drenaż wody.
5. Zalać skrzynkę cementem i sprawdzić ustawienie poziomą.
6. Założyć na sworzeń skrzyni listwa sterująca odblokady uprzednim podłożeniem odstrężonej kulki.
7. Oprzeć skrzydło bramy na dźwigni odblokady odblokady przyspawać solidnie.
8. Posmarować smarownicą.

3.3.2 - Instalowanie siłownika M-FAB

1. Odkręcić nakrętki i podkładki tak jak pokazano na **rys. 3**.
2. Umieścić siłownik wewnątrz skrzyni) i sprawdzić, aby została ona dobrze włożona.
3. Zainstalować zderzak wyłącznika krańcowego zamykania we właściwym otworze (**rys. 6**).
4. Zablokować siłownik z podkładkami grower i 4 nakrętki samoblokującej znajdujące się w skrzyni z akcesoriami.
5. Połączyć z dźwignią złączeniową (2) z siłownikiem do bramy (**rys. 4**).

3.4 - Typowa instalacja (patrz **rys. 5**)

- 1 = Kolumna na fotokomórki
- 2 = Para zderzaków przy otwieraniu
- 3 = Linia 230V
- 4 = Tablica sterująca (centralka elektryczna)
- 5 = Antena
- 6 = Lampa ostrzegawcza
- 7 = Fotokomórka
- 8 = Skrzynka z aktuatorem M-FAB
- 9 = Elettrozamek pionowy
- 10 = Selektor kluczowy lub klawiatura numeryczna
- 11 = Skrzynka rozdzielcza (niedostarczona)

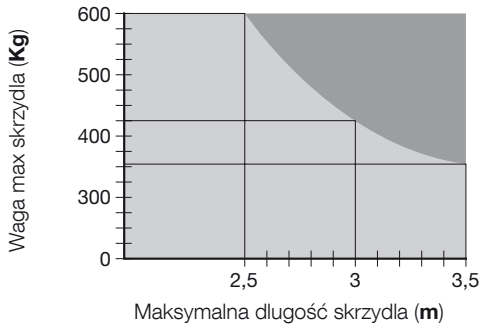
4 PODŁĄCZENIA ELEKTRYCZNE

4.1(a) - Dla **ME3000** i **ME3010** połączyć przewody następująco:

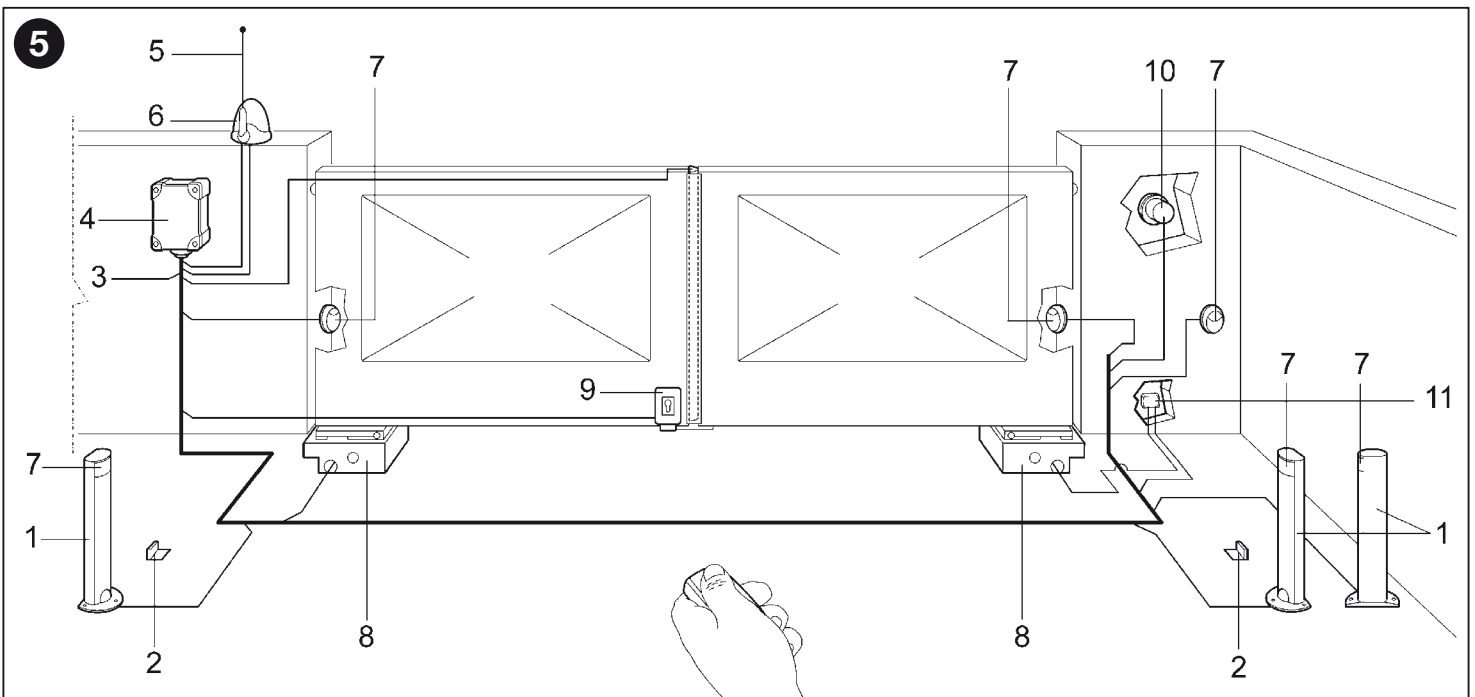
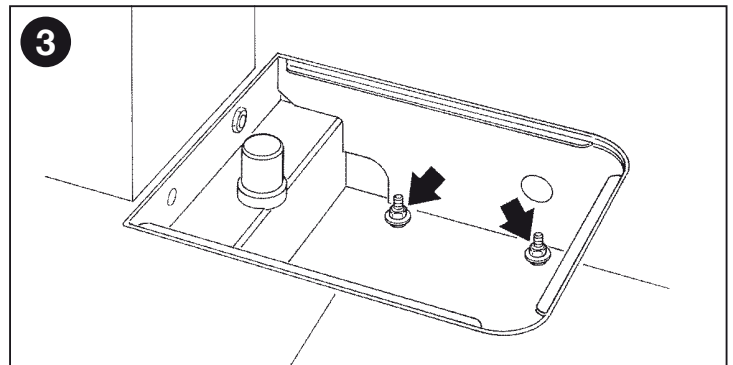
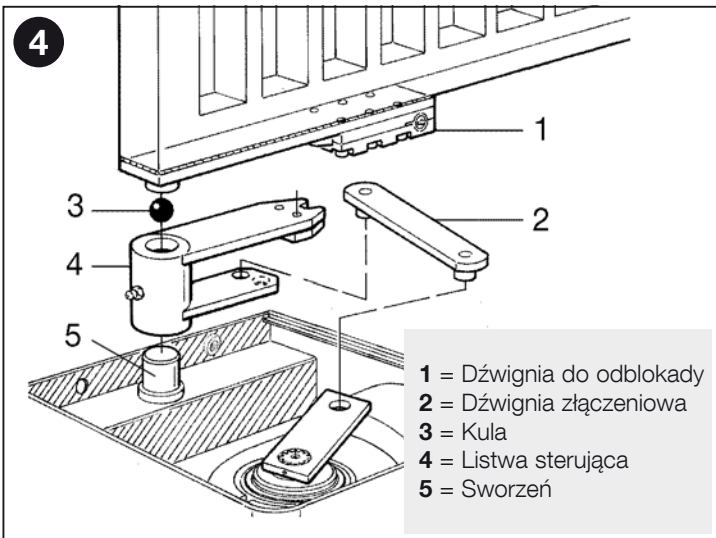
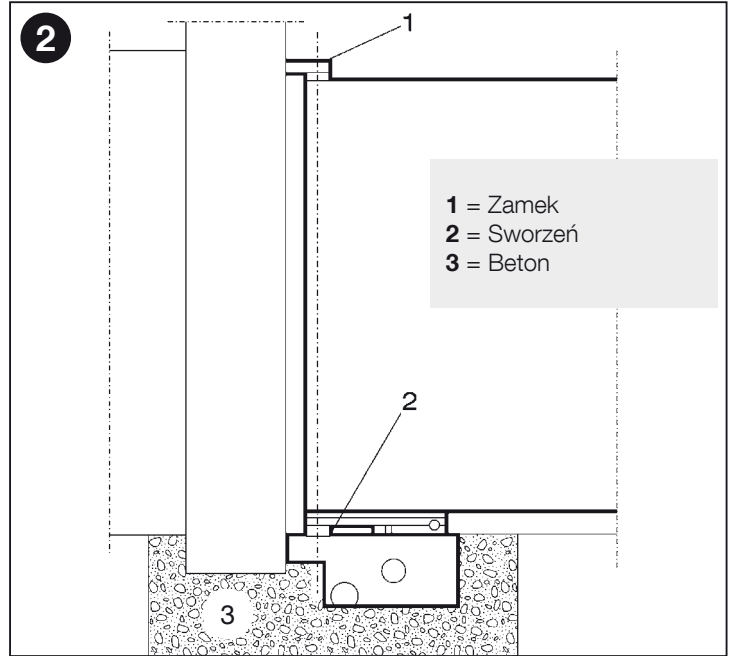
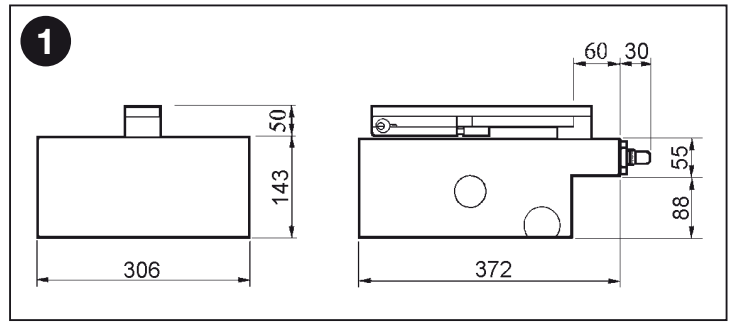
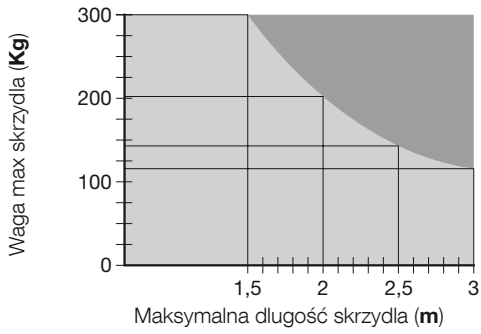
- Czarny** = Faza "otwiera"
Brązowy = Faza "zamyka"
Szary = Wspólny
Żółto-zielony = ⊕

SCHEMAT A

ME3000 • ME3010 • ME3000L • ME3000/110 • ME3024

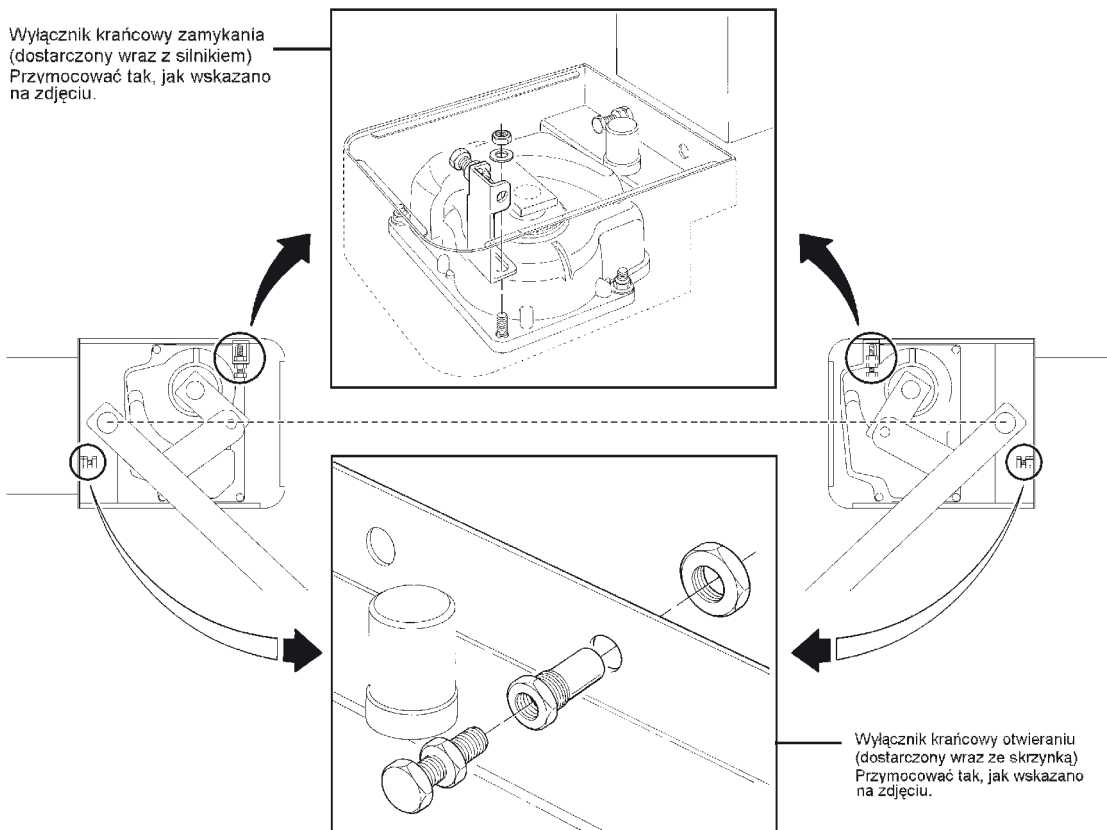


ME3024HS



6

Wyłącznik krańcowy zamykania
(dostarczony wraz z silnikiem)
Przymocować tak, jak wskazano
na zdjęciu.



Wyłącznik krańcowy otwierania
(dostarczony wraz ze skrzynką)
Przymocować tak, jak wskazano
na zdjęciu.

4.1(b) - Dla ME3024 połączyć przewody następująco:

Niebieski = Zasilenie silnika
Brązowy = Zasilenie silnika
Czarny = Enkoder
Szary = Enkoder
Żółto-zielony = \oplus

UWAGA! – Silniki posiadają jedno 2 M-FABwy przewód.
ZABRANIA SIĘ wykonywać przedłużeń wewnątrz skrzyni, ewentualne połączenia wykonać w odpowiedniej skrzynce rozdzielczej (niedostarczona), co jest bardzo ważne dla utrzymania bezpieczeństwa instalacji.

4.2 - Ustawienie wyłączników granicznych

Patrz rys. 6.

5 PRÓBA TECHNICZNA AUTOMATU

Próby odbiorcze całej automatyki muszą być wykonane przez doświadczony i wykwalifikowany personel, który weźmie na siebie odpowiedzialność za wykonanie swojej pracy i świadomy jest ewentualnego niebezpieczeństwa.

Odbiór M-FAB wykonać według poniższej procedury:

- zamknąć bramę;
- odciąć zasilenie od centrali;
- Zablokować siłownik tak, jak podano w paragrafie "Odblokowanie i ruch ręczny" (odblokada na klucz i dźwignią) w rozdziale "Instrukcje i ostrzeżenia" przeznaczone dla użytkownika siłownika M-FAB".
- otworzyć całkowicie ręcznie bramę;
- sprawdzić, czy podczas otwierania nie występują tarcia;
- sprawdzić, czy po zatrzymaniu w jakimkolwiek punkcie brama nie poruszy się;
- sprawdzić funkcjonowanie zabezpieczeń i stan zderzaków mechanicznych;
- sprawdzić czy połączenia są ściśnięte do oporu;
- wyczścić wnętrze skrzyni i sprawdzić czy spust wody funkcjonuje prawidłowo;
- po wykonaniu wszystkich kontroli ponownie zablokować siłownik i podłączyć zasilenie centrali;
- M-FAB nie posiada urządzenia do regulacji momentu dlatego też taka regulacja zostanie wykonana przez centralę sterującą;
- zmierzyć siłę uderzenia według normy EN12453 i EN12445.

6 KONSERWACJA PRODUKTU

Siłownik M-FAB nie wymaga specjalnych czynności konserwacyjnych, a przewidziana kontrola co sześć miesięcy gwarantuje dłuższą żywotność siłownika

i bezpieczne funkcjonowanie systemu. **Czynności konserwacyjne polegają na powtórzeniu procedury prób odbiorczych.**

LIKWIDACJA PRODUKTU

Ten produkt jest częścią integracyjną automatu i dlatego, musi być zlikwidowany razem z nim.

Tak jak przy czynnościach montażowych, zarówno po zużyciu produktu, czynności eliminacji muszą być wykonane przez wykwalifikowany personel.

Produkt składa się z różnych materiałów: niektóre mogą być odzyskiwane, inne muszą być zlikwidowane. Dowiedzcie się o systemach odzyskiwania lub likwidacji przewidzianych w prawie obowiązującym na waszym terytorium, dla tej kategorii produktu.

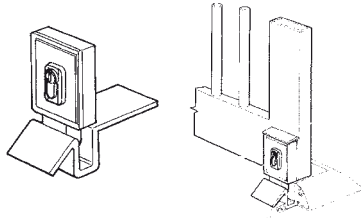
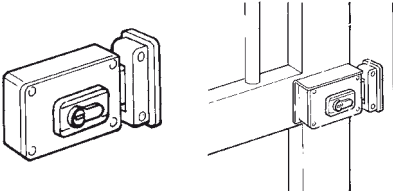
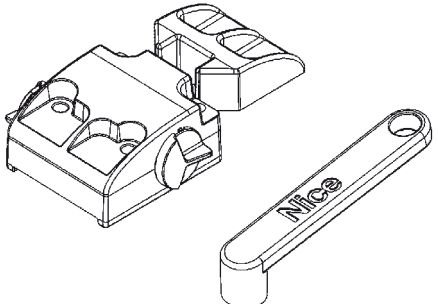
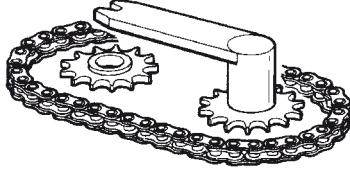
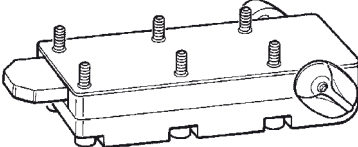
Uwaga! – niektóre części produktu mogą zawierać substancje zanieczyszczające lub niebezpieczne, które rozproszone, mogłyby zagrażać środowisku naturalnemu i ludzkiemu zdrowiu.

Jak wskazuje symbol obok, zabrania się wyrzucania produktu do odpadów domowych. Należy wykonać "selektywną zbiórkę odpadów" dla likwidacji, zgodnie z metodami przewidzianymi przepisami obowiązującymi na waszym terytorium lub oddać produkt sprzedawcy w momencie zakupu nowego równoważnego produktu.



Uwaga! – przepisy obowiązujące na poziomie lokalnym mogą przewidywać poważne kary w przypadku nielegalnej likwidacji tego produktu.

Akcesoria na życzenie

| | | |
|---|---|---|
| PLA10 Elettrozamek 12 Vca pionowy  | PLA11 Elettrozamek 12 Vca poziomy  | MEA3 Odblokada z dźwignią  |
| MEA1 Urządzenie otwierające na 360°  | MEA2 Odblokada na zamek  | |

CECHY TECHNICZNE PRODUKTU

OSTRZEŻENIE: • Wszystkie przytoczone cechy techniczne, odnoszą się do temperatury otoczenia 20°C (± 5°C). • Nice S.p.a. zastrzega sobie prawo do wprowadzenia zmian w każdym momencie, gdy uzna za konieczne, zachowując tą sama funkcjonalność i użycie.

| | ME3000 | ME3010 | ME3000L | ME3000/110 | ME3024 | ME3024HS |
|-------------------------------|---------------------|----------------|----------------|----------------|---------|----------|
| Zasilenie | 230 Vac; 50 Hz | 230 Vac; 50 Hz | 230 Vac; 50 Hz | 110 Vac; 60 Hz | 24 Vdc | 24 Vdc |
| Prąd absorbowany | 1.2 A | 1.2 A | 1.3 A | 2.4 A | 5 A | 6 A |
| Moc absorbowana | 250 W | 250 W | 300 W | 250 W | 120 W | 170 W |
| Wbudowany kondensator | 10 uF | 10 uF | 10 uF | 30 uF | — | — |
| Stopień zabezpieczenia | IP 67 | IP 67 | IP 67 | IP 67 | IP 67 | IP 67 |
| Prędkość | 1.14 Rpm | 1.14 Rpm | 0.8 Rpm | 1.4 Rpm | 1.4 Rpm | 2.6 Rpm |
| Moment | 300 Nm | 300 Nm | 250 Nm | 300 Nm | 250 Nm | 180 Nm |
| Temperatura pracy | od -20 °C do +50 °C | | | | | |
| Termo zabezpieczenie | 140 °C | 140 °C | 140 °C | 140 °C | — | — |
| Cykl pracy | 30 % | 40 % | 30 % | 30 % | 80 % | 80 % |
| Waga | 11 Kg | 11.5 Kg | 11 Kg | 11 Kg | 11 Kg | 11 Kg |

Deklaracja zgodności CE i deklaracja włączenia maszyny nieukończonej

Deklaracja zgodna z dyrektywami: 2004/108/WE (EMC); 2006/42/WE (MD) załącznik II, część B.

Uwaga - Treść niniejszej deklaracji jest zgodna z oficjalną deklaracją zdeponowaną w siedzibie Nice S.p.a., a w szczególności z najnowszą wersją dostępną przed wydrukowaniem niniejszego podręcznika. Niniejszy tekst został dostosowany pod kątem wydawniczym. Kopię oryginalnej deklaracji zgodności można otrzymać od firmy Nice S.p.a. (TV) I.

Numer deklaracji: **134/METRO**

Weryfikacja: **11**

Język: **PL**

Nazwa producenta: NICE s.p.a.

Adres: Via Pezza Alta N°13, 31046 Rustignè di Oderzo (TV), Włochy.

Osoba upoważniona do sporządzenia dokumentacji technicznej: NICE s.p.a. – Via Pezza Alta N°13, 31046 Rustignè di Oderzo (TV), Włochy.

Typ produktu: Siłownik elektromechaniczny do bram skrzydłowych.

Model/Typ: ME3024, ME3000, ME3000L, ME3000/110, ME3010, ME3024HS

Akcesoria: Nie urządzenia.

Ja, niżej podpisany Mauro Sordini, jako Chief Executive Officer deklaruje na własną odpowiedzialność, że wyżej wymienione produkty są zgodne z następującymi dyrektywami:

- Dyrektywa PARLAMENTU EUROPEJSKIEGO I RADY 2004/108/WE z dnia 15 grudnia 2004 r. w sprawie ujednoczenia prawodawstwa państw członkowskich w zakresie zgodności elektromagnetycznej, znosząca dyrektywę 89/336/EWG, zgodnie z następującymi normami zharmonizowanymi: EN 61000-6-2:2005; EN 61000-6-3:2007 + A1:2011.

Ponadto produkt jest zgodny z następującą dyrektywą w zakresie wymagań dotyczących maszyn nieukończonych:

- Dyrektywa PARLAMENTU EUROPEJSKIEGO I RADY NR 2006/42/WE z dnia 17 maja 2006 r. dotycząca maszyn, zmieniająca dyrektywę 95/16/WE (przekształcenie)
- Niżej podpisany deklaruje, że stosowna dokumentacja techniczna została sporzą-

dzona zgodnie z załącznikiem VII B dyrektywy 2006/42/WE oraz, że spełnione zostały następujące wymagania podstawowe:

1.1.1 - 1.1.2 - 1.1.3 - 1.2.1 - 1.2.6 - 1.5.1 - 1.5.2 - 1.5.5 - 1.5.6 - 1.5.7 - 1.5.8 - 1.5.10 - 1.5.11.

- Producent zobowiązuje się do przekazania władzom krajowym, w odpowiedzi na uzasadnione zapytanie, informacji dotyczących maszyny nieukończonej, zachowując całkowicie swoje prawa do własności intelektualnej.
- Jeżeli maszyna nieukończona oddana zostanie do eksploatacji w kraju europejskim, którego język urzędowy jest inny niż język niniejszej deklaracji, importer ma obowiązek dołączyć do niniejszej deklaracji stosowne tłumaczenie.
- Ostrzegamy, że maszyny nieukończonej nie należy uruchamiać do czasu, kiedy maszyna końcowa, do której zostanie włączona, nie uzyska deklaracji zgodności (jeżeli wymagana,) z założeńmi dyrektywy 2006/42/WE.

Ponadto produkt jest zgodny z następującymi normami: EN 60335-1:2002 + A1:2004 + A11:2004 + A12:2006 + A2:2006 + A13:2008 + A14:2010 + A15:2011; EN 60335-2-103:2003 + A11:2009.

Produkt jest zgodny z następującymi normami (w zakresie mających zastosowanie części): EN 13241-1:2003 + A1:2011; EN 12445:2002; EN 12453:2002; EN 12978:2003 + A1:2009.

Oderzo, dnia 30 kwiecień 2015 roku

Inż. **Mauro Sordini**
(Chief Executive Officer)



1 ALGEMENE AANWIJZINGEN EN VOORZORGS- MAATREGELEN VOOR DE VEILIGHEID

1.1 - Aanbevelingen

Deze handleiding bevat belangrijke informatie voor de veiligheid van mensen. Alvorens u met de installatie gaat beginnen, dient u alle in deze handleiding vervatte informatie te lezen. Bewaar deze handleiding ook voor later gebruik. • Met het oog op gevaarlijke situaties die zich tijdens de installatie en het gebruik van M-FAB kunnen voordoen, moeten ook tijdens de installatie de wetten, voorschriften en regels volledig in acht genomen worden. In dit hoofdstuk zullen algemene aanbevelingen gegeven worden; andere belangrijke aanbevelingen vindt u in de hoofdstukken "2.1 Controles vooraf"; "5 Opleveringstest en inbedrijfstelling".

Volgens de meest recente Europese wetgeving valt het aanleggen van een automatische deur of poort onder wat voorzien is in de Europese Richtlijn 98/37/EG (Richtlijn Machines) en met name onder de voorschriften: EN 12445; EN 12453 en EN 12635, waardoor het mogelijk is de vermoedelijke conformiteit te verklaren.

Verdere inlichtingen, richtlijnen ten aanzien van risico's en het samenstellen van het technisch dossier zijn beschikbaar op: "www.niceforyou.com".

- Deze handleiding is uitsluitend bestemd voor technisch personeel dat voor de installatie gekwalificeerd is. Behalve de specifieke los te halen bijlage welke de installateur dient te verzorgen, namelijk "Aanwijzingen en aanbevelingen bestemd voor de gebruiker van de reductiemotor M-FAB" kan andere informatie die in dit dossier is vervat, niet als interessant voor de eindgebruiker worden beschouwd!
- Leder ander gebruik van M-FAB dat niet in deze aanwijzingen voorzien is, is verboden; oneigenlijk gebruik kan gevaar opleveren of letsel en schade aan mensen en zaken veroorzaken.
- Voordat u met de installatie begint dient u een analyse van de risico's te maken waarvan de lijst van essentiële veiligheidseisen zoals die in Bijlage I van de Richtlijn Machines zijn voorzien, deel uitmaakt; hierin geeft u de toegepaste oplossingen aan.

LET OP! – Wij maken u erop attent dat de risicoanalyse één van de documenten is die deel uit maken van het "technisch dossier" van de automatisering.

- Controleer of er verdere inrichtingen nodig zijn om de automatisering met M-FAB op basis van de specifieke toepassingssituatie en aanwezige gevaren te completeren; u dient daarbij bijvoorbeeld risico's op het gebied van botsen, beknelling, scharen, etc. en andere algemene gevaren in acht te nemen.
- Breng geen wijzigingen aan onderdelen aan, indien dit niet in deze handleiding is voorzien. Dergelijke handelingen kunnen alleen maar storingen veroorzaken. NICE wijst elke aansprakelijkheid voor schade tengevolge van gewijzigde artikelen van de hand.
- Zorg ervoor dat er tijdens het installeren niets, ook geen vloeistof, in de besturings-eenheid of andere open inrichting kan komen; neem eventueel contact op het het technisch servicecentrum van NICE; het gebruik van M-FAB in deze situaties kan een gevaarlijke situatie doen ontstaan.
- Het automatisme mag niet gebruikt worden voordat de inbedrijfstelling heeft plaats gevonden zoals dat in hoofdstuk: "5 Opleveringstest en inbedrijfstelling" is aangegeven.
- De afvalverwerking van het verpakkingsmateriaal van M-FAB moet geheel en al volgens de plaatselijk geldende regels plaats vinden.
- Indien er zich een storing voordoet die u niet kunt oplossen onder gebruikmaking van de in deze handleiding vervatte informatie gelieve u contact op te nemen met de technische servicedienst van NICE.
- Wanneer er een automatische schakelaar of zekering in werking is getreden, dient u alvorens die terug te stellen, de storing op te zoeken en die te verhelpen.
- **Voordat u de aansluitklemmetjes van M-FAB aanraakt, dient u alle circuits van stroomtoevoer los te koppelen;** indien dit niet te zien is, dient u een bord aan te brengen met de tekst: "LET OP ONDERHOUDS-WERKZAAMHEDEN IN UITVOERING".

2 BESCHRIJVING VAN HET PRODUCT EN BESTEMD GEBRUIK

M-FAB is een reductiemotor bestemd voor het automatiseren van een draai-poort met één of twee vleugels. **LET OP! – Elke toepassing die afwijkt van wat hierboven beschreven is of plaatsvindt onder andere omstandigheden dan in deze handleiding voorzien is, is verboden.**

M-FAB werkt op elektrische energie; in geval van stroomuitval kan de reductiemotor met speciale sleutels ontgrendeld worden en kunnen de vleugels handmatig verplaatst worden.

3 INSTALLATIE

3.1 - Controles vooraf

Alvorens met de installatie te beginnen dient u te verifiëren of de structuur daarvoor geschikt is, met andere woorden conform de geldende voorschriften. Verifieer met name de volgende zaken: • de poort vertoont geen punten waar wrijving bestaat, noch bij sluiting noch bij opening; • de poort is goed uitgebalanceerd is, d.w.z. de poort komt niet in beweging wanneer die op een willekeurige plaats tot stilstand is gebracht; • de poort loopt soepel en regelmatig; • de plaats van bevestiging voor de reductiemotor is gemakkelijk en veilig toegankelijk om de motor met de hand te bedienen; • de verpakking is intact; • controleer of de plaats van bevestiging met de buitenafmetingen van de kist (**afb. 1**) overeen komt; • zorg voor een stop bij sluiting en zo mogelijk ook bij opening.

LET OP! – Denk eraan dat M-FAB een poort (met één of twee vleugels) automatiseert die zelf goed moet werken en veilig is, maar dat M-FAB geen defecten opheft, die het gevolg zijn van een verkeerd uitgevoerde installatie of van slecht onderhoud.

3.2 - Toepassingslimieten

Als gevolg van de vorm en de hoogte van de poort (b.v. een dichte poort) of bepaalde weersomstandigheden (bijvoorbeeld de aanwezigheid van sterke wind), kunnen de waarden in de **Grafiek A** aanzienlijk lager komen te liggen.

Opmerking: – Indien elke afzonderlijke vleugel van de poort langer dan 2,5 m is, verdient het aanbeveling een elektrische slot (PLA10 of PLA11) te monteren.

3.3 - Bevestiging

3.3.1 - Afmetingen in beslag genomen ruimte en positionering van de funderingskist

1. Maak op grond van de benodigde ruimte een funderingsput, waarbij u voor een goede drainage dient te zorgen, zodat het water niet kan blijven staan.
2. Bevestig het accessoire voor de eindschakelaar bij opening aan de kist waarbij u de aanwijzingen zoals op de **afb. 6**, te zien is nauwkeurig opvolgt teneinde een verkeerde montage te voorkomen.
3. Plaats de kist in de gegraven kuil waarbij de pin op één lijn staat met de as van het scharnier (**afb. 2**).
4. Breng een leiding voor de elektriciteitskabels aan en één voor drainage.
5. Stort het cement over de funderingskist waarbij u ervoor dient te zorgen dat deze waterpas en op de goede hoogte staat.
6. Plaats de o Aansturingsbeugel op de pin van de kist en zorg ervoor de meegeleverde kogel ertussen aan te brengen.
7. Laat de vleugel van het hek op de ontgrendelingshendel rusten en soldeer die goed vast.
8. Smeer via de daartoe bestemde smeeroening.

3.3.2 - Installatie van de reductiemotor M-FAB

1. Verwijder de moeren en ringen, getoond in **afb 3**.
2. Plaats de reductiemotor in de funderingskist en zorg ervoor dat die in de goede richting aangebracht is.
3. Bevestig de beugel voor de eindaanslag bij sluiting in de daarvoor bestemde opening (**afb. 6**).
4. Zet de reductiemotor vast met de borgringen grower en de 4 zelfblokkerende moeren die u in de doos met accessoires vindt.
5. Bevestig de reductiemotor met de bevestigingshendel (2) aan de poort (**afb. 4**).

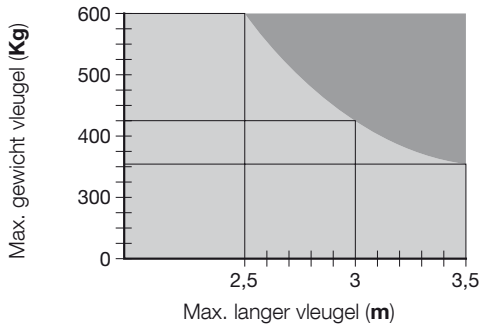
3.4 - Voorbeeld van een installatie (zie **afb. 5**)

- 1 = Zuiltje voor fotocel
- 2 = Stel stops bij opening
- 3 = Leiding 230V
- 4 = Bedieningspaneel (elektrische besturingseenheid)
- 5 = Antenne
- 6 = Knipperlicht
- 7 = Fotocel
- 8 = Kist met aandrijving M-FAB
- 9 = Verticaal elektrisch slot
- 10 = Sleutelschakelaar of codeschakelaar
- 11 = Aftakdoos (niet meegeleverd)

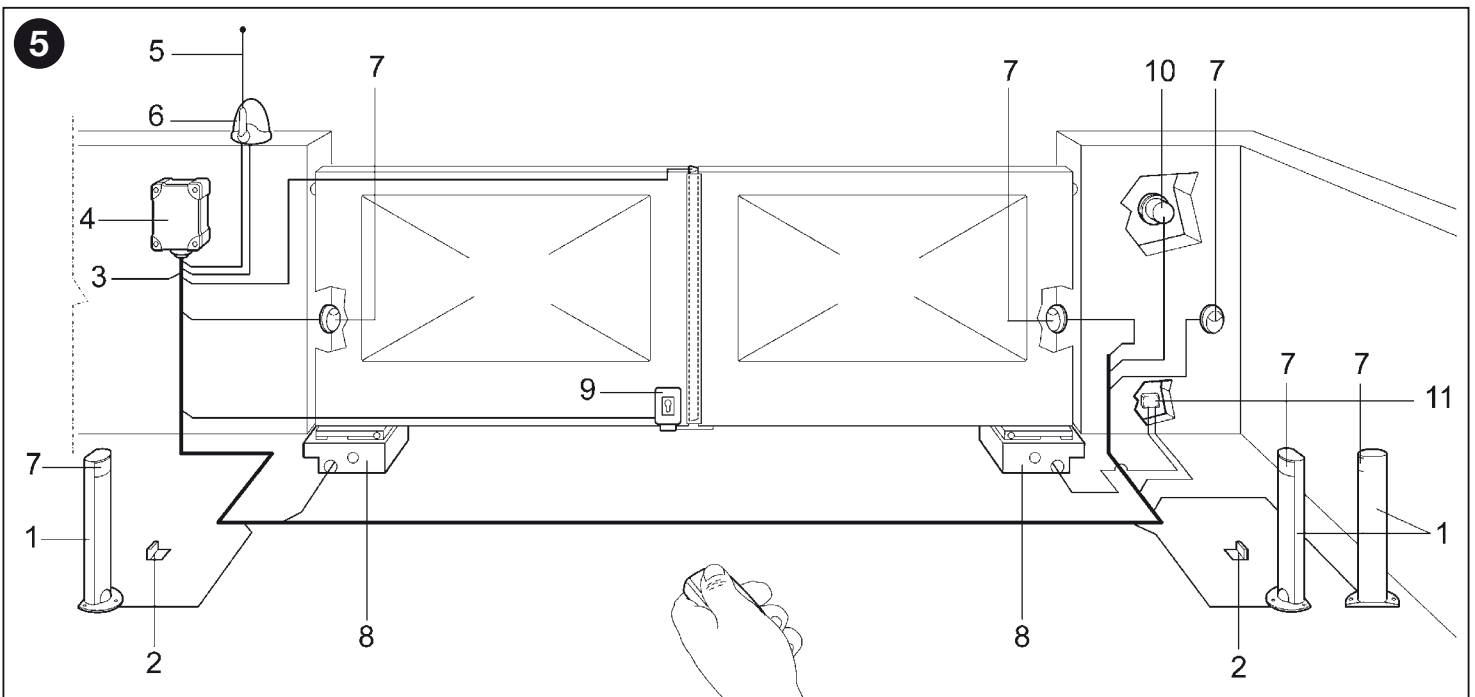
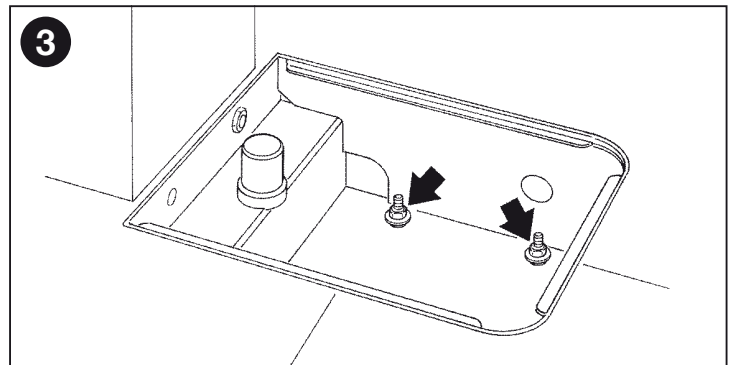
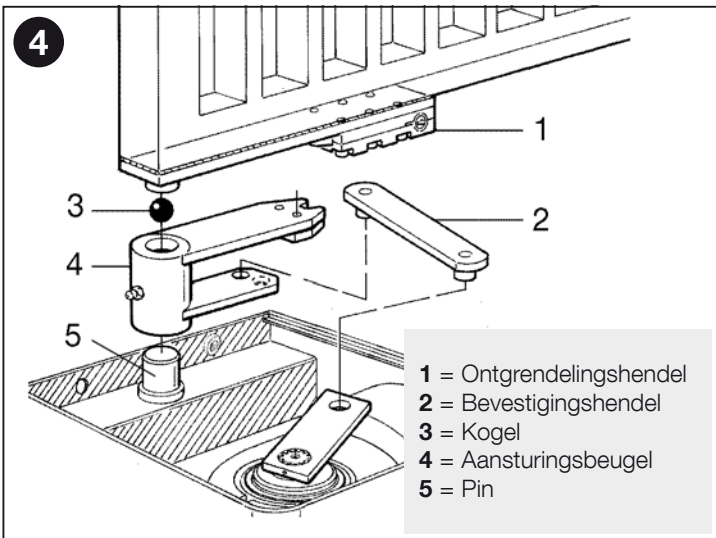
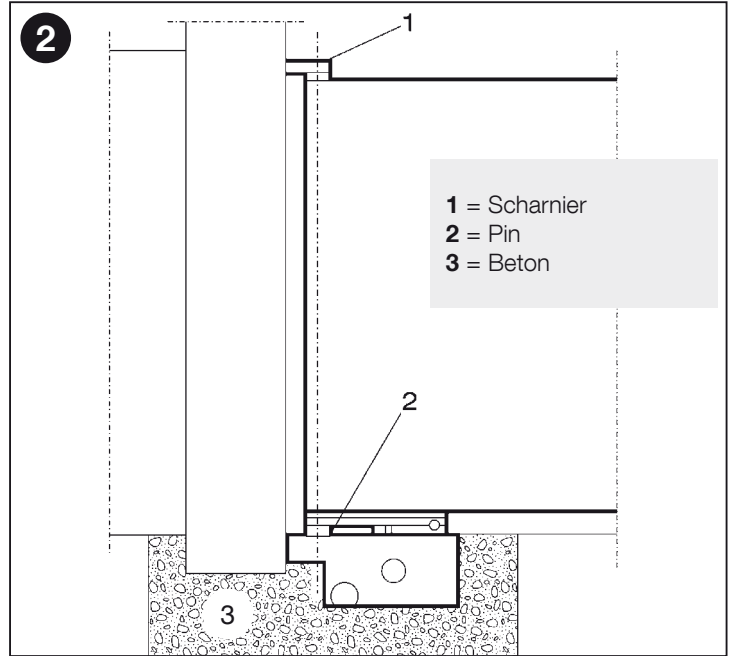
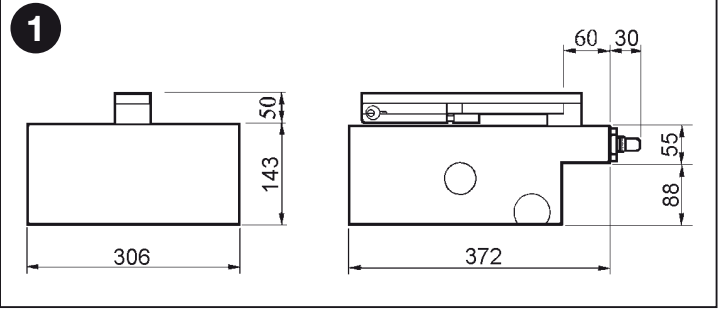
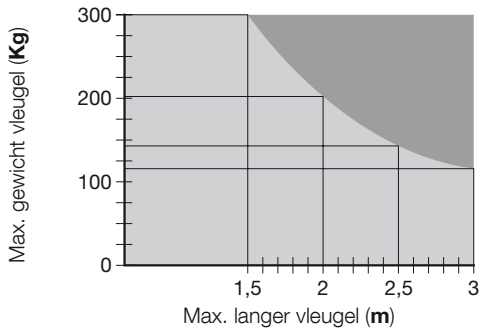
4 ELEKTRISCHE AANSLUITINGEN

GRAFIEK A

ME3000 • ME3010 • ME3000L • ME3000/110 • ME3024



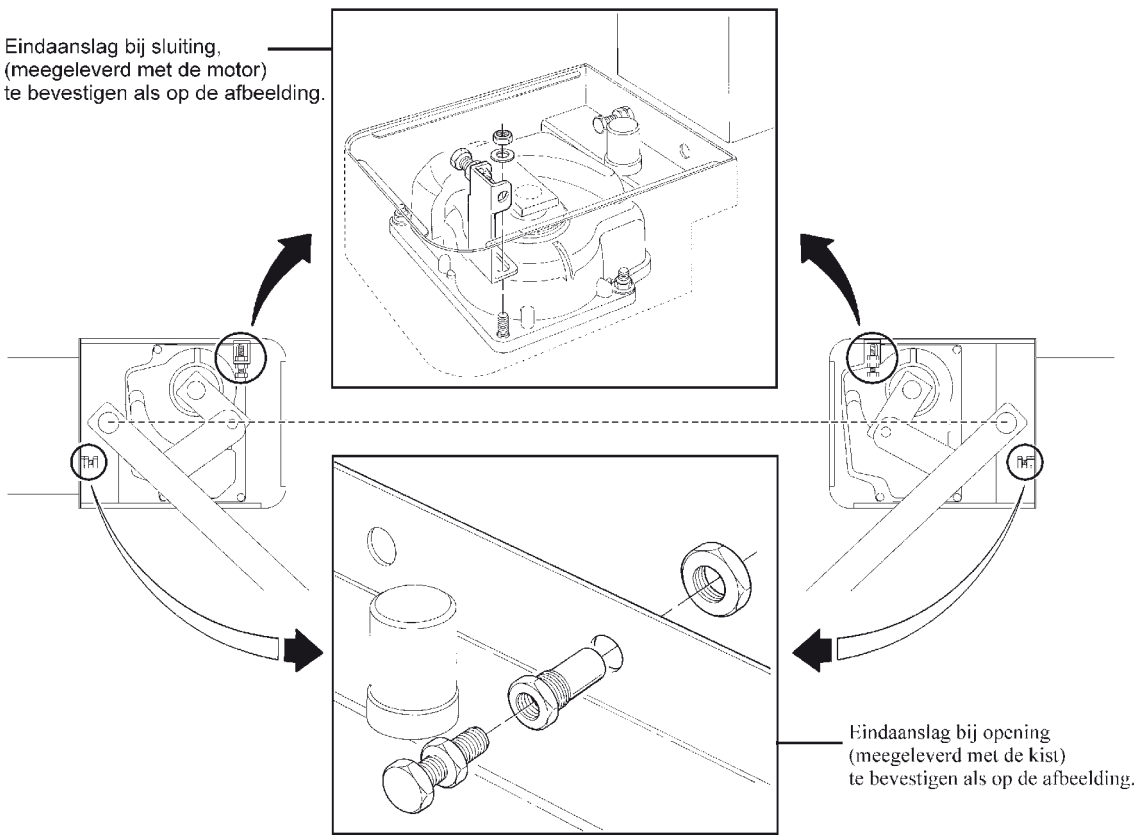
ME3024HS



NL

6

Eindaanslag bij sluiting,
(meegeleverd met de motor)
te bevestigen als op de afbeelding.



Eindaanslag bij opening
(meegeleverd met de kist)
te bevestigen als op de afbeelding.

4.1(a) - Sluit voor de ME3000 en ME3010 de kabels als volgt aan:

Zwart = Fase "open"

Bruin = Fase "sluit"

Blaauw = Gemeenschappelijk

Groen-geel = ⊕

4.1(b) - Sluit voor de ME3024 de kabels als volgt aan:

Blaauw = Stroomvoorziening motor

Bruin = Stroomvoorziening motor

Zwart = Encoder

Grijs = Encoder

Groen-geel = ⊕

LET OP! - De motoren beschikken over een kabel met een lengte van 2 meter.

HET IS VERBODEN verbindingen binnen in de kist uit te voeren; gebruik voor eventuele verbindingen uitsluitend de speciale aftakdoos (niet meegeleverd), teneinde de veiligheid van de installatie te bewaren.

4.2 - Bevestig de eindaanslag

Zie **afb. 6**.

5 TESTEN VAN DE AUTOMATISERING

De opleveringstest van de gehele installatie dient door vakbekwaam en deskundig personeel uitgevoerd te worden dat ook moet bepalen welke tests er op basis van de aanwezige risico's nodig zijn.

Voor de opleveringstest van M-FAB dient u als volgt te werk te gaan:

- sluit de poort;
- onderbreek de stroomtoevoer naar de besturingseenheid;
- ontgrendel de reductiemotor van de vleugel zoals dat is aangegeven in de paragraaf "Ontgrendeling met de hand (ontgrendeling met een sleutel en met een hendel)" in het hoofdstuk "Aanwijzingen en aanbevelingen bestemd voor de gebruiker van de reductiemotor M-FAB".
- zet de poort handmatig helemaal open;
- controleer dat de poort tijdens de manoeuvre nergens wrijving ondergaat;
- controleer dat de poort niet in beweging komt wanneer deze op een op een willekeurige plaats tot stilstand is gebracht en ontgrendeld is;
- controleer of de veiligheidssystemen en de mechanische stops in goede staat verkeren;
- controleer of de met schroeven tot stand gekomen bevestigingen goed zijn aangedraaid;

- maak de binnenkant van de kist goed schoon en controleer of de waterafvoer correct werkt;
- vergrendel na afloop van deze controles weer de reductiemotor en zet de besturingseenheid weer onder spanning;
- M-FAB heeft geen inrichtingen om het koppel af te stellen, daarom is deze afstelling de taak van de besturingseenheid;
- meet de stootkracht, zoals dat voorzien is in de normen EN12453 en EN12445.

6

ONDERHOUD VAN HET PRODUCT

M-FAB vereist geen bijzonder onderhoud, maar een geprogrammeerde controle tenminste eens in het half jaar verzekert u ervan dat de reductiemotor langer mee zal gaan en dat het systeem correct en veilig zal werken.

Het onderhoud bestaat simpelweg uit het uitvoeren van de procedure met betrekking tot de opleveringstest.

VERWIJDERING VAN HET PRODUCT

Dit product is een integrerend deel van de automatisering en ze moeten dus samen verwijderd worden.

Zoals voor de installatiewerkzaamheden moeten, op het einde van de levensduur van dit product, de ontmantelingswerkzaamheden door bevoegd personeel uitgevoerd worden.

Dit product bestaat uit verschillende soorten materiaal: sommige kunnen gerecycleerd worden, andere moeten verwijderd of verwerkt worden. Informeer u over de recyclagesystemen en de verwijdering voorzien voor deze productcategorie door de van kracht zijnde normen in het land van gebruik.

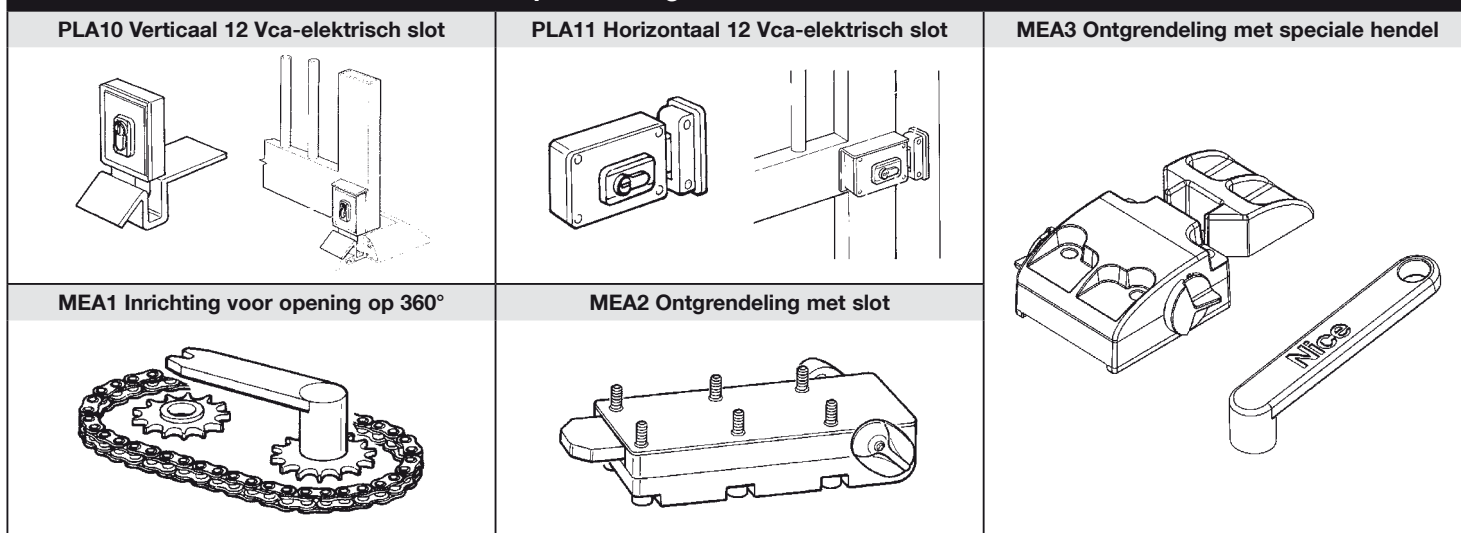
Opgepast! – sommige delen van het product kunnen vervuilende of gevaarlijke stoffen bevatten die indien verspreid in de omgeving de oorzaak kunnen zijn van schadelijke gevolgen op het milieu en de gezondheid.

Zoals aangeduid door het symbool hiernaast, het is verboden dit product in de huisafval te werpen. Voor de verwijdering moet de "gescheiden inzameling" uit gevoerd worden, volgens de methodes voorzien door de van kracht zijnde voorschriften in het land van gebruik. Het product kan ook aan de verkoper terugbezorgd worden wanneer een nieuw gelijkaardig product wordt aangekocht.

Opgepast! – de van kracht zijnde voorschriften op lokaal gebied kunnen zware boetes voorzien indien het product niet op correcte wijze wordt verwijderd.



Op bestelling leverbare accessoires



TECHNISCHE EIGENSCHAPPEN VAN HET PRODUCT

AANWIJZINGEN: • Alle vermelde technische eigenschappen hebben betrekking op het product bij een omgevingstemperatuur van 20°C (± 5°C). • De firma Nice S.p.a. behoudt zich het recht voor, op om het even welk ogenblik dat zij het nodig acht, wijzigingen aan te brengen, terwijl dezelfde functionaliteit en gebruiksbestemming wordt behouden.

| | ME3000 | ME3010 | ME3000L | ME3000/110 | ME3024 | ME3024HS |
|-----------------------------------|-----------------------|----------------|----------------|----------------|---------|----------|
| Stroomvoorziening | 230 Vac; 50 Hz | 230 Vac; 50 Hz | 230 Vac; 50 Hz | 110 Vac; 60 Hz | 24 Vdc | 24 Vdc |
| Opgenomen stroom | 1.2 A | 1.2 A | 1.3 A | 2.4 A | 5 A | 6 A |
| Opgenomen vermogen | 250 W | 250 W | 300 W | 250 W | 120 W | 170 W |
| Ingebouwde condensator | 10 uF | 10 uF | 10 uF | 30 uF | — | — |
| Beschermingsklasse | IP 67 | IP 67 | IP 67 | IP 67 | IP 67 | IP 67 |
| Snelheid | 1.14 Rpm | 1.14 Rpm | 0.8 Rpm | 1.4 Rpm | 1.4 Rpm | 2.6 Rpm |
| Koppel | 300 Nm | 300 Nm | 250 Nm | 300 Nm | 250 Nm | 180 Nm |
| Bedrijfstemperatuur | van -20 °C tot +50 °C | | | | | |
| Oververhittingsbeveiliging | 140 °C | 140 °C | 140 °C | 140 °C | — | — |
| Werkingscyclus | 30 % | 40 % | 30 % | 30 % | 80 % | 80 % |
| Gewicht | 11 Kg | 11.5 Kg | 11 Kg | 11 Kg | 11 Kg | 11 Kg |

CE-verklaring van overeenstemming en inbouwverklaring betreffende niet voltooid machines

Verklaring conform Richtlijnen: 2004/108/CE (EMC); 2006/42/CE (MD) bijlage II, deel B.

Opmerking - De inhoud van deze verklaring komt overeen met hetgeen is vastgelegd in het officiële document dat is gedeponneerd ten kantore van Nice S.p.a., en in het bijzonder met de laatste herziene en beschikbare versie ervan, vóór het drukken van deze handleiding. De hier gepresenteerde tekst is herzien om redactionele redenen. Een copie van de oorspronkelijke verklaring kan worden aangevraagd bij Nice S.p.a. (TV) Italië.

Nummer verklaring: **134/METRO** Revisie: **11** Taal: **NL**

Naam fabrikant: NICE s.p.a.

Adres: Via Pezza Alta N°13, 31046 Rustignè di Oderzo (TV), Italië

Persoon gemachtigd tot het samenstellen van het technisch dossier: NICE s.p.a. - Via Pezza Alta N°13, 31046 Rustignè di Oderzo (TV), Italië

Type product: Elektromechanische reductiemotor voor draaiporten.

Model / Type: ME3024, ME3000, ME3000L, ME3000/110, ME3010, ME3024HS

Accessoires: Geen uitrustingen.

Ondergetekende Mauro Sordini, verklaart onder eigen verantwoordelijkheid als Chief Executive Officer dat de producten voldoen aan de vereisten van de hierop volgende richtlijnen:

- RICHTLIJN 2004/108/CE VAN HET EUROPEES PARLEMENT EN DE RAAD VAN DE EUROPESE UNIE van 15 december 2004 betreffende de onderlinge aanpassing van de wetgevingen van de lidstaten inzake elektromagnetische compatibiliteit en tot wijziging van richtlijn 89/336/EEG, volgens de hieropvolgende geharmoniseerde normen: EN 61000-6-2:2005; EN 61000-6-3:2007 + A1:2011.

Bovendien voldoet het product aan de hieropvolgende richtlijn volgens de voor "pseudo machines" geldende vereisten:

- Richtlijn 2006/42/EG VAN HET EUROPEES PARLEMENT EN DE RAAD VAN DE EUROPESE UNIE van 17 mei 2006 betreffende machines en tot wijziging van Richtlijn 95/16/EG (herschikking)
- Hierbij verklaart men dat het relevante technische dossier is ingevuld volgens de aanwijzingen in bijlage VII B van de richtlijn 2006/42/EG en dat daarbij aan de hieropvolgende verplichte eisen is voldaan: 1.1.1 - 1.1.2 - 1.1.3 - 1.2.1 - 1.2.6 - 1.5.1 - 1.5.2 - 1.5.5 - 1.5.6 - 1.5.7 - 1.5.8 - 1.5.10 - 1.5.11.
- De fabrikant zal zorgdragen voor de overdracht van informatie betreffende de niet voltooid machine, op speciaal verzoek van de wetgevende instanties zonder daarbij schade te doen toekomen aan zijn eigen intellectueel eigendomsrecht.
- Mocht de onvoltooid machine in gebruik worden genomen in een land waar een andere taal wordt gesproken dan in deze verklaring is gebruikt, is de importeur verplicht de vertaling van het desbetreffende document aan de documentatie toe te voegen.
- Het is niet toegestaan de niet voltooid machine in gebruik te nemen voordat de uiteindelijke machine waarop deze zal worden ingebouwd, en indien van toepassing geschikt is verklaard volgens de richtlijn 2006/42/EG.

Bovendien voldoet het product aan de hierop volgende normen: EN 60335-1:2002 + A1:2004 + A11:2004 + A12:2006 + A2:2006 + A13:2008 + A14:2010 + A15:2011; EN 60335-2-103:2003 + A11:2009.

Het product voldoet, waar van toepassing, aan de hierop volgende normen: EN 13241-1:2003 + A1:2011; EN 12445:2002; EN 12453:2002; EN 12978:2003 + A1:2009.

Oderzo, 30 april 2015

Ing. **Mauro Sordini**
(Chief Executive Officer)



EN - OPERATION MANUAL

IT - MANUALE D'USO

FR - GUIDE DE L'UTILISATEUR

ES - MANUAL DE USO

DE - GEBRAUCHSANLEITUNG

PL - INSTRUKCJA OBSŁUGI

NL - GEBRUIKSHANDLEIDING

Even if your automated system satisfies regulatory safety levels, this does not eliminate “residue risks”, that is, the possibility of dangerous situations being generated, usually due to irresponsible or incorrect use. For this reason we would like to give you some suggestions on how to avoid these risks:

- **Before using your automated system** for the first time, ask your fitter to explain how residue risks can arise and spend a few minutes reading the **instructions and warnings for the user** handbook that the fitter will have given you. Keep this manual for future use and, if you should ever sell your automated system, hand it over to the new owner.
- **Your automated system is a machine which carries out your commands to the letter;** irresponsible or incorrect use may cause it to become dangerous: do not move the automated system if animals or objects are in its working radius.
- **Children:** an automated system ensures a high level of safety as it always offers reliable and safe operation and its detection systems stop it from moving in the presence of people or objects. However, children should not be allowed to play near it. Do not let them accidentally use the system by leaving the remote control unit within their reach: **it is not a toy!**
- **Faults.** If you notice any abnormal behaviour, disconnect the system from the electricity supply immediately and perform the manual release operation. Do not attempt to make repairs yourself but call in your fitter: in the meantime the system can work as a non-automated gate once the gear motor has been released as described further on.
- **Maintenance.** Just like all machines, your automated system requires periodic maintenance to ensure it works as long as possible and in total safety. Agree on a routine maintenance plan with your fitter; Nice recommends a visit once every six months for normal residential use but this period can vary depending on how often the system is used. All controls, maintenance work or repairs may only be carried out by qualified personnel.
- Do not modify the system or its programming and adjustment parameters even if you think you can do it: your fitter is responsible for this.
- Final testing, routine maintenance and any repairs must be documented by the fitter and such documents kept by the owner of the system.
- **Disposal.** At the end of the life of the automatic system, make sure that it is demolished by qualified personnel and that the materials are recycled or disposed of according to local regulations.
- **In case of breakage** or during a power failure. While waiting for your fitter to call (or power to come on again if the system does not have buffer batteries), the system can be used just like any other manual opening system. To do this, perform the manual release operation: this can be done by the user and Nice has made it as easy as possible, without the need for tools or physical effort.

● Manual Manoeuvre (Key and Lever-Operated Release)

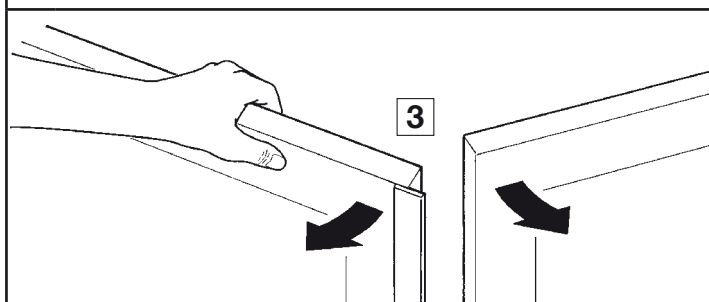
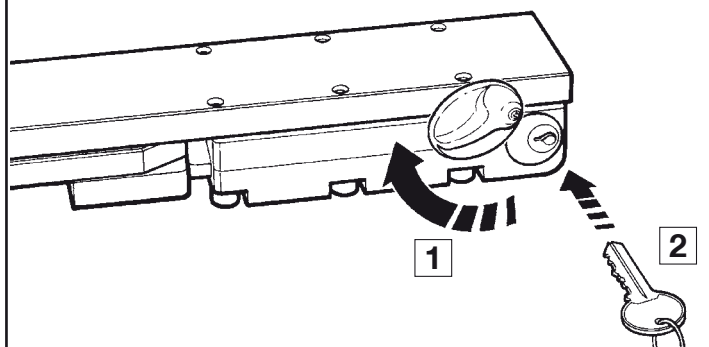
Perform the manual operation in the event of a power failure or system malfunction.

Are you satisfied? If you wish to add a new automated system to your house, contact your fitter and we at Nice will provide the advice of a specialist, the most developed products on the market, leading-edge operativeness and maximum compatibility.

Thank you for reading these suggestions and we trust you are fully satisfied with your new system: please contact your fitter for all your current or future requirements.

MEA2 Type KEY-Operated Release

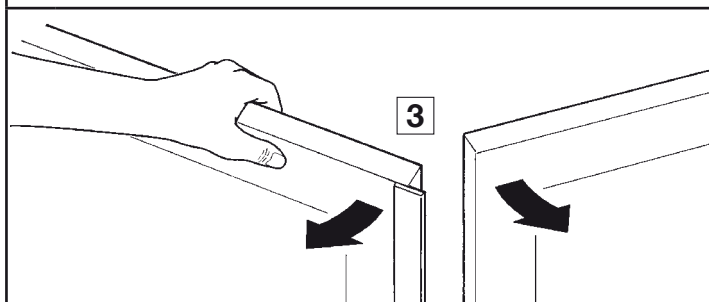
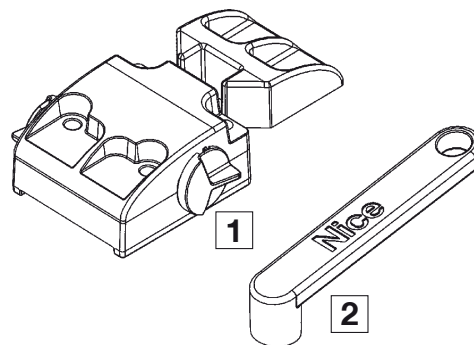
1. Pull down the lock cover.
2. Insert the key and rotate it 90° clockwise.
3. Move the gate manually.



WARNING! – The system will revert to automatic operation upon the first electrical manoeuvre.

MEA3 Type Lever-Operated Release

1. Pull down the lock cover.
2. Insert the lever and rotate it 90° clockwise.
3. Move the gate manually.



WARNING! – The system will revert to automatic operation upon the first electrical manoeuvre.



Istruzioni ed avvertenze destinate all'utilizzatore del motoriduttore

Anche se l'automazione in vostro possesso soddisfa il livello di sicurezza richiesto dalle normative, questo non esclude l'esistenza di un "rischio residuo", cioè la possibilità che si possano generare situazioni di pericolo, solitamente dovute ad un utilizzo incosciente o addirittura errato. Per questo motivo desideriamo darvi alcuni consigli sui comportamenti da seguire per evitare ogni inconveniente:

- **Prima di usare per la prima volta l'automazione**, fatevi spiegare dall'installatore l'origine dei rischi residui, e dedicate qualche minuto alla lettura del manuale di **istruzioni ed avvertenze per l'utilizzatore** consegnatovi dall'installatore. Conservate il manuale per ogni dubbio futuro e consegnatelo ad un eventuale nuovo proprietario dell'automazione.
- **La vostra automazione è un macchinario che esegue fedelmente i vostri comandi**; un uso incosciente ed improprio può farlo diventare pericoloso: non comandate il movimento dell'automazione se nel suo raggio di azione si trovano persone, animali o cose.
- **Bambini**: un impianto di automazione garantisce un alto grado di sicurezza, impedendo con i suoi sistemi di rilevazione il movimento in presenza di persone o cose, e garantendo un'attivazione sempre prevedibile e sicura. È comunque prudente vietare ai bambini di giocare in prossimità dell'automazione e per evitare attivazioni involontarie non lasciare i telecomandi alla loro portata: **non è un gioco!**
- **Anomalie**: Non appena notate qualunque comportamento anomalo da parte dell'automazione, togliete alimentazione elettrica all'impianto ed eseguite lo sblocco manuale. Non tentate da soli alcuna riparazione, ma richiedete l'intervento del vostro installatore di fiducia: nel frattempo l'impianto può funzionare come un'apertura non automatizzata, una volta sbloccato il motoriduttore come descritto più avanti.
- **Manutenzione**: Come ogni macchinario la vostra automazione ha bisogno di una manutenzione periodica affinché possa funzionare più a lungo possibile ed in completa sicurezza. Concordate con il vostro installatore un piano di manutenzione con frequenza periodica; Nice consiglia un intervento ogni 6 mesi per un normale utilizzo domestico, ma questo periodo può variare in funzione dell'intensità d'uso. Qualunque intervento di controllo, manutenzione o riparazione deve essere eseguito solo da personale qualificato.
- Anche se ritenete di saperlo fare, non modificate l'impianto ed i parametri di programmazione e di regolazione dell'automazione: la responsabilità è del vostro installatore.
- Il collaudo, le manutenzioni periodiche e le eventuali riparazioni devono essere documentate da chi le esegue e i documenti conservati dal proprietario dell'impianto.
- **Smaltimento**: Al termine della vita dell'automazione, assicuratevi che lo smantellamento sia eseguito da personale qualificato e che i materiali vengano riciclati o smaltiti secondo le norme valide a livello locale.
- **In caso di rotture o assenza di alimentazione**: Attendendo l'intervento del vostro installatore, o il ritorno dell'energia elettrica se l'impianto non è dotato di batterie tampone, l'automazione può essere azionata come una qualunque apertura non automatizzata. Per fare ciò è necessario eseguire lo sblocco manuale (unico intervento consentito all'utente sull'automazione): tale operazione è stata particolarmente studiata da Nice per assicurarvi sempre la massima facilità di utilizzo, senza uso di attrezzi particolari o necessità di sforzo fisico.

● Manovra manuale (sblocco a chiave e a leva)

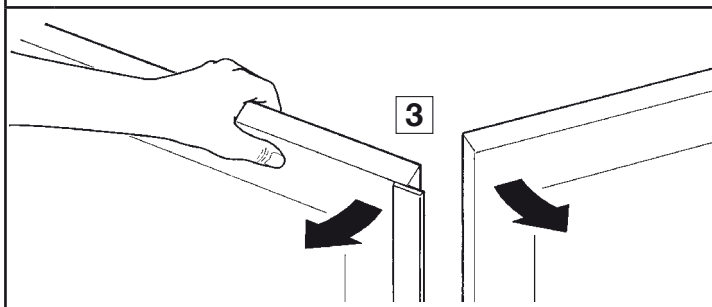
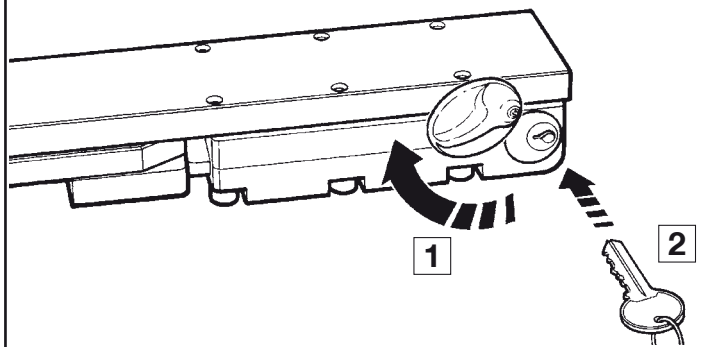
L'operazione manuale si deve eseguire nel caso di mancanza di corrente o in caso di anomalie dell'impianto.

Siete soddisfatti? Nel caso voleste aggiungere nella vostra casa un nuovo impianto di automazione, rivolgendovi allo stesso installatore e a Nice vi garantirete, oltre che la consulenza di uno specialista e i prodotti più evoluti del mercato, il migliore funzionamento e la massima compatibilità delle automazioni.

Vi ringraziamo per aver letto queste raccomandazioni, e vi auguriamo la massima soddisfazione dal vostro nuovo impianto: per ogni esigenza presente o futura rivolgetevi con fiducia al vostro installatore.

Sblocco a CHIAVE tipo MEA2

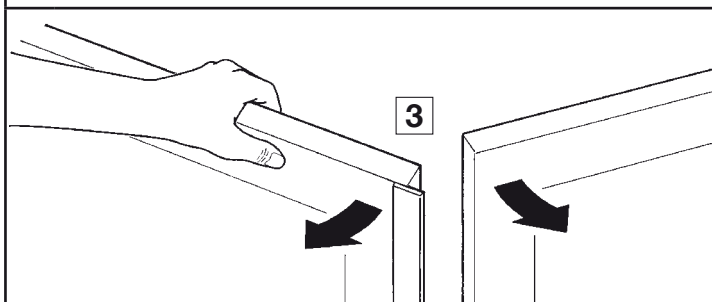
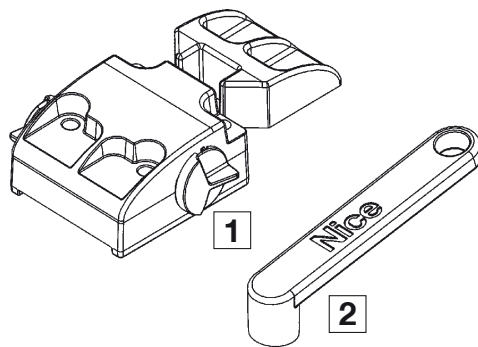
1. Abbassare il coperchio copriserratura.
2. Inserire la chiave e ruotarla in senso orario di 90°.
3. Agire manualmente sull'anta.



ATTENZIONE! – Il funzionamento automatico avverrà alla prima manovra elettrica.

Sblocco a leva tipo MEA3

1. Abbassare il coperchio copriserratura.
2. Inserire la leva e ruotarla in senso orario di 90°.
3. Agire manualmente sull'anta.



ATTENZIONE! – Il funzionamento automatico avverrà alla prima manovra elettrica.

Même si l'automatisme en votre possession satisfait le niveau de sécurité requis par les normes, cela n'exclut pas la persistance d'un "risque résiduel", c'est-à-dire la possibilité de situations de danger dues généralement à une utilisation inconsciente, voire erronée. C'est la raison pour laquelle nous désirons vous donner quelques conseils sur les comportements à adopter pour éviter tout inconvénient :

● **Avant d'utiliser pour la première fois l'automatisme**, faites-vous expliquer par l'installateur l'origine des risques résiduels et consacrez quelques minutes à la lecture des **d'instructions** et d'avertissements pour l'utilisateur qui vous est remis par l'installateur. Conservez le manuel pour pouvoir le consulter pour n'importe quel doute futur et remettez-le à tout nouveau propriétaire de l'automatisme.

● **Votre automatisme est un équipement qui exécute fidèlement vos commandes** ; une utilisation inconsciente et incorrecte peut le rendre dangereux : ne commandez pas le mouvement de l'automatisme si des personnes, des animaux ou des objets se trouvent dans son rayon d'action.

● **Enfants** : une installation d'automatisation garantit un degré de sécurité élevé en empêchant avec ses systèmes de détection le mouvement en présence de personnes ou d'objets et en garantissant une activation toujours prévisible et sûre. Il est prudent toutefois d'éviter de laisser jouer les enfants à proximité de l'automatisme et pour éviter les activations involontaires, de ne pas laisser à leur portée les émetteurs qui commandent la manœuvre : **ce n'est pas un jeu!**

● **Anomalies** : si vous notez une anomalie quelconque dans le fonctionnement de l'automatisme, coupez l'alimentation électrique de l'installation et procédez au débrayage manuel. Ne tentez jamais de le réparer vous-même mais demandez l'intervention de votre installateur de confiance : dans l'intervalle, l'installation peut fonctionner comme un système non automatisé, après avoir débrayé l'opérateur suivant les indications données plus loin.

● **Maintenance** : comme toutes les machines, votre automatisme a besoin d'une maintenance périodique pour pouvoir fonctionner le plus longtemps possible et en toute sécurité. Établissez avec votre installateur un plan de maintenance périodique programmée ; Nice conseille une intervention tous les 6 mois pour une utilisation domestique normale mais celle période peut varier en fonction de l'intensité d'utilisation. Toute intervention de contrôle, maintenance ou réparation doit être exécutée exclusivement par du personnel qualifié.

● Même si vous estimez en être capable, ne modifiez pas l'installation et les paramètres de programmation et de réglage de l'automatisme : la responsabilité en incombe à votre installateur.

● L'essai de fonctionnement final, les maintenances périodiques et les éventuelles réparations doivent être documentés par la personne qui s'en charge et les documents doivent être conservés par le propriétaire de l'installation.

● **Mise au rebut**. À la fin de la vie de l'automatisme, assurez-vous que le démantèlement est effectué par du personnel qualifié et que les matériaux sont recyclés ou mis au rebut en respectant les normes locales en vigueur.

● **En cas de ruptures ou absence d'alimentation électrique**. En attendant l'intervention de votre installateur (ou le retour du courant si l'installation est dépourvue de batterie tampon), l'installation peut être actionnée comme n'importe quel autre système non automatisé. Pour cela, il faut effectuer le débrayage manuel : cette opération, qui est la seule pouvant être effectuée par l'utilisateur de l'automatisme, a fait l'objet d'une étude particulière de la part de Nice pour vous assurer toujours une utilisation extrêmement simple et aisée, sans aucun outil ou effort physique.

● Manœuvre manuelle (débrayage à clé et à levier)

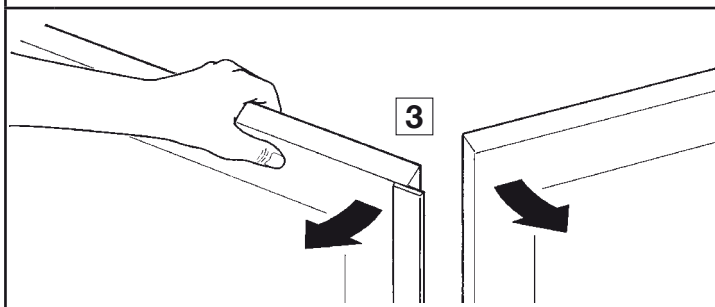
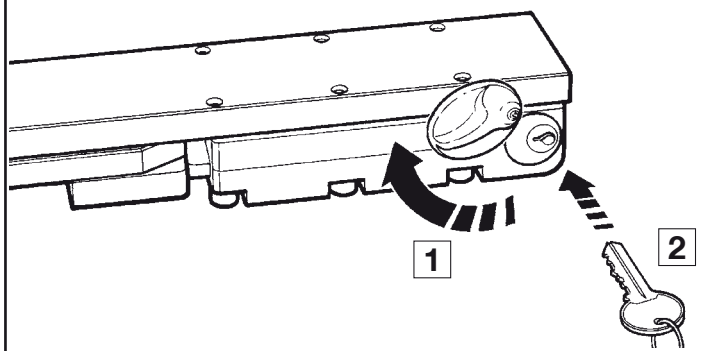
L'opération manuelle doit être utilisée en cas de panne de courant ou d'anomalie de l'installation.

Êtes-vous satisfait ? Si vous désirez équiper votre maison d'un nouvel automatisme, adressez-vous au même installateur et à Nice. Vous serez sûr de bénéficier ainsi, en plus du conseil d'un spécialiste et des produits les plus évolués du marché, également du meilleur fonctionnement et de la compatibilité parfaite des différents automatismes installés.

Nous vous remercions d'avoir lu ces recommandations et nous espérons que votre nouvelle installation vous donnera entière satisfaction : pour tout besoin présent ou futur, adressez-vous en toute confiance à votre installateur.

Débrayage à CLÉ type MEA2

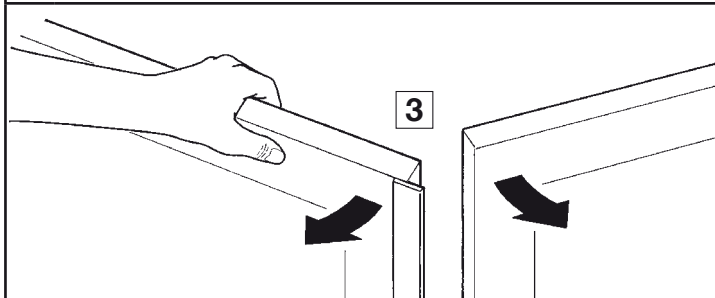
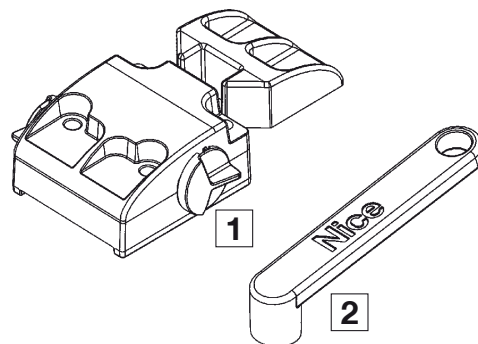
1. Abaisser le couvercle de la serrure.
2. Introduire la clef et la tourner de 90° dans le sens des aiguilles d'une montre.
3. Agir manuellement sur le battant.



ATTENTION ! – Le fonctionnement automatique aura lieu lors de la première manœuvre électrique.

Débrayage à levier type MEA3

1. Abaisser le couvercle de la serrure.
2. Positionner le levier et le tourner de 90° dans le sens des aiguilles d'une montre.
3. Agir manuellement sur le battant.



ATTENTION ! – Le fonctionnement automatique aura lieu lors de la première manœuvre électrique.



Instrucciones y advertencias destinadas al utilizador del motorreductor

Aunque bien su automatización satisfaga el nivel de seguridad requerido por las normativas, esto no excluye la existencia de un "riesgo residual", es decir, la posibilidad de que se puedan crear situaciones de peligro causadas por un uso inconsciente o incorrecto. Por dicho motivo, a continuación le damos algunos consejos sobre cómo comportarse para evitar inconvenientes:

- **Antes de usar por primera vez la automatización**, pida a su instalador que le explique el origen de los riesgos residuales y lea este manual de **instrucciones y advertencias para el usuario** entregado por el instalador. Conserve el manual por cualquier problema que pueda surgir y recuerde entregarlo a un posible nuevo dueño de la automatización.
- **La automatización ejecuta fielmente los mandos dados**: un uso inconsciente o inadecuado puede ser peligroso. Por consiguiente, no accione la automatización cuando en su radio de acción haya personas, animales o cosas.
- **Niños**: una instalación de automatización garantiza un elevado grado de seguridad, impidiendo, gracias a sus sistemas de detección, que se mueva ante la presencia de personas o cosas y garantizando una activación previsible y segura. Procure que los niños no jueguen cerca de la automatización y mantenga los controles remotos lejos de su alcance: **no son un juguete!**
- **Desperfectos**: si bien note que la automatización no funciona correctamente, corte la alimentación eléctrica de la instalación y realice el desbloqueo manual. No realice ninguna reparación y llame a su instalador de confianza: una vez desbloqueado el motorreductor, la instalación podrá funcionar manualmente como un cerramiento no automatizado.
- **Mantenimiento**: para garantizar una larga vida útil y para un funcionamiento seguro, la instalación, al igual que cualquier otra maquinaria, requiere un mantenimiento periódico. Establezca con su instalador un plan de mantenimiento con frecuencia periódica. Nice aconseja realizar un mantenimiento cada 6 meses para un uso residencial normal, que puede variar según la intensidad de uso. Cualquier tipo de control, mantenimiento o reparación debe ser realizado sólo por personal cualificado.
- Aunque piense que lo sabe hacer, no modifique la instalación ni los parámetros de programación y regulación del automatismo: la responsabilidad es de su instalador.
- El ensayo final, los trabajos de mantenimiento periódico y las posibles reparaciones deben ser documentados por quien los efectúa y los documentos tienen que ser conservados por el dueño de la instalación.
- **Desguace**: al final de la vida útil de la automatización, el desguace debe ser realizado por personal cualificado y los materiales deben ser reciclados o eliminados según las normas locales vigentes.
- **En el caso de roturas o falta de alimentación**: esperando la intervención de su instalador, o la llegada de la energía eléctrica si la instalación no está dotada de baterías compensadoras, la automatización puede accionarse igual que cualquier cerramiento no automatizado. A tal fin es necesario realizar el desbloqueo manual (única operación que el usuario puede realizar): dicha operación ha sido estudiada por Nice para facilitarle su empleo, sin necesidad de utilizar herramientas ni hacer esfuerzos físicos.

● Maniobra manual (desbloqueo con llave y con palanca)

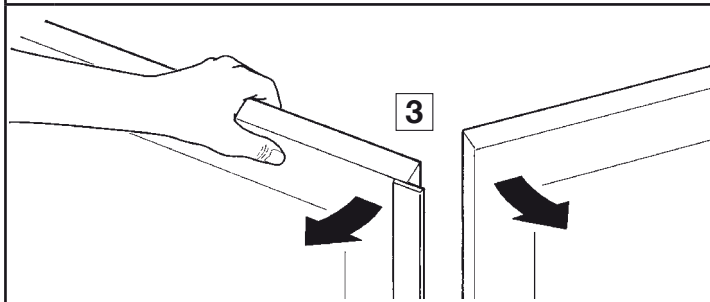
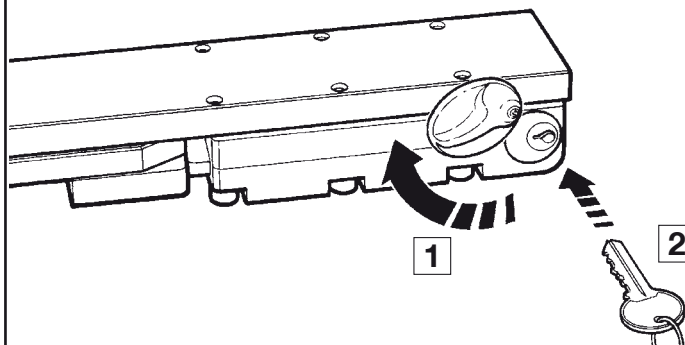
La operación manual debe efectuarse cuando falte la corriente o cuando se produzca algún desperfecto en la instalación.

Está Ud. satisfecho? Si Ud. deseara montar en su casa una nueva automatización, contacte al mismo instalador y a Nice, así podrá contar con la garantía del asesoramiento de un experto y los productos más modernos del mercado, el mejor funcionamiento y la máxima compatibilidad de las automatizaciones.

Le agradecemos por haber leído estas recomendaciones y esperamos que esté satisfecho de su nueva instalación: ante cualquier exigencia, contacte con confianza a su instalador.

Desbloqueo con LLAVE tipo MEA2

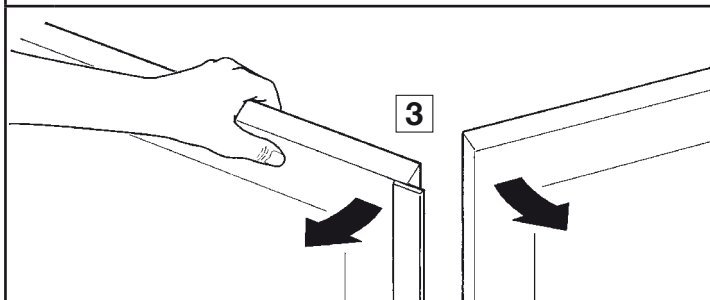
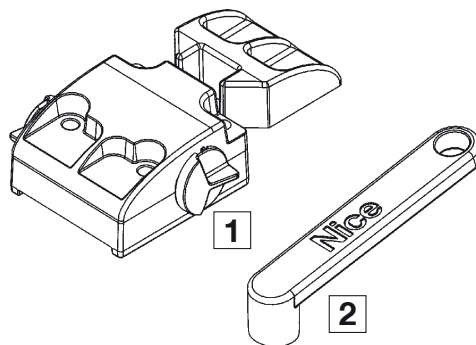
1. Baje la tapa que cubre la cerradura.
2. Introduzca la llave y gírela 90° en el sentido horario.
3. Mueva manualmente la hoja.



¡ATENCIÓN! – El funcionamiento automático se producirá en la primera maniobra eléctrica.

Desbloqueo con palanca tipo MEA3

1. Baje la tapa que cubre la cerradura.
2. Introduzca la palanca y gírela 90° en el sentido horario.
3. Mueva manualmente la hoja.



¡ATENCIÓN! – El funcionamiento automático se producirá en la primera maniobra eléctrica.

Auch wenn Ihre Automatisierung den von den Vorschriften geforderten Sicherheitsniveaus entspricht, schließt dies das Vorhandensein von "Restrisiken" nicht aus, womit die Möglichkeit gemeint ist, dass gewöhnlich aufgrund eines verantwortungslosen oder falschen Gebrauchs Gefahren erzeugt werden können; wir möchten Ihnen deshalb ein paar Ratschläge geben, wie Sie sich verhalten sollten, um allen Unannehmlichkeiten aus dem Weg zu gehen:

- **Bevor Sie die Automatisierung zum ersten Mal verwenden**, lassen Sie sich von Ihrem Installateur erklären, wie Restrisiken entstehen können, und widmen Sie dem Lesen der **Anweisungen und Hinweise für den Benutzer**, die Ihnen Ihr Installateur aushändigen wird, ein paar Minuten. Bewahren Sie die Anleitung für zukünftige Zweifelsfälle auf und übergeben Sie diese ggf. einem neuen Besitzer der Automatisierung.
- **Ihre Automatisierung ist eine Maschine, die Ihre Befehle getreu durchführt**; ein verantwortungsloser und unsachgemäßer Gebrauch kann gefährlich werden: verursachen Sie keine Bewegung der Automatisierung, wenn sich Personen, Tiere oder Gegenstände in ihrem Aktionskreis befinden.
- **Kinder**: eine Automatisierungsanlage gewährleistet einen hohen Sicherheitsgrad und verhindert mit ihren Schutzsystemen, dass sie sich bei Anwesenheit von Personen und Gegenständen bewegt, und gewährleistet eine immer vorhersehbare und sichere Aktivierung. Als Vorsichtsmaßnahme sollte man aber Kindern verbieten, in der Nähe der Automatisierung zu spielen, und man sollte die Fernbedienungen nicht in der Reichweite von Kindern lassen: **es handelt sich nicht um ein Spiel!**
- **Störungen**. Schalten Sie die Stromversorgung zur Anlage ab, sobald Sie ein ungewöhnliches Verhalten der Automatisierung bemerken, und führen Sie die manuelle Entriegelung aus. Versuchen Sie nie, selbst Reparaturen auszuführen, sondern fordern Sie den Eingriff Ihres Vertrauensinstallateurs an: in der Zwischenzeit, nachdem Sie den Getriebemotor wie weiter vorne beschrieben entriegelt haben, kann die Anlage wie eine nicht automatisierte Vorrichtung funktionieren.
- **Wartung**. Wie jede Maschine benötigt auch Ihre Automatisierung eine regelmäßige Wartung, damit sie so lange wie möglich und in voller Sicherheit funktionieren kann. Vereinbaren Sie mit Ihrem Installateur einen programmierten Wartungsplan. Nice empfiehlt eine programmierte Wartung alle sechs Monate bei Normalgebrauch für den Haushalt, dieser Zeitraum kann aber je nachdem, wie häufig die Anlage benutzt wird, unterschiedlich sein. Arbeiten wie Wartung, Kontrollen und Reparaturen dürfen nur von Fachpersonal ausgeführt werden.
- Auch wenn Sie meinen, dass Sie wissen, wie das gemacht wird, ändern Sie die Anlage und die programmierten Parameter sowie die Einstellungen der Automatisierung nicht: diese Verantwortung steht Ihrem Installateur zu.
- Die Endabnahme, die periodischen Wartungen und eventuelle Reparaturen müssen von dem, der diese Arbeiten ausführt, belegt sein, und diese Belege müssen vom Besitzer der Anlage aufbewahrt werden.
- **Entsorgung**. Versichern Sie sich, dass die Entsorgung am Ende der Lebensdauer Ihrer Automatisierung von Fachpersonal gemacht wird und dass die Materialien nach den örtlich gültigen Vorschriften recycled oder entsorgt werden.
- **Im Falle von Defekten oder bei Stromausfall**. Solange Sie auf Ihren Installateur (oder bis der Strom wieder vorhanden ist, falls Ihre Anlage keine Pufferbatterie hat) warten, kann die Anlage wie eine beliebige nicht automatisierte Öffnungsvorrichtung betätigt werden. Dazu muss die manuelle Entriegelung ausgeführt werden. Dieser Vorgang, der einzige, den der Benutzer der Automatisierung ausführen kann, wurde mit besonderer Aufmerksamkeit von Nice behandelt, damit Sie diese Vorrichtung immer mit größter Einfachheit, ohne Werkzeug und ohne körperliche Anstrengungen betätigen können.

● Handbedienung (Entriegelung mit Schlüssel und Hebel)

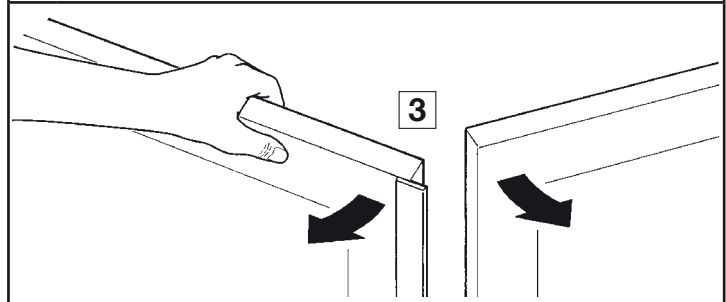
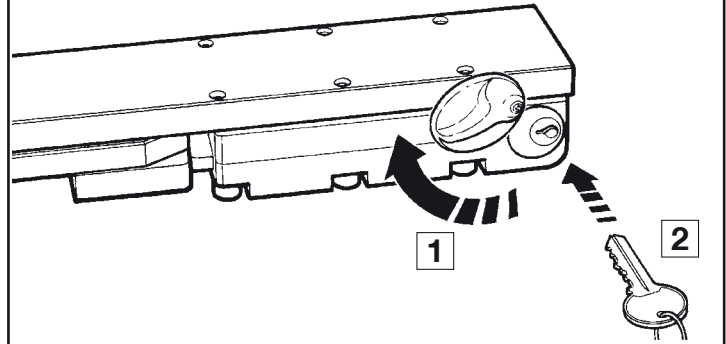
Die Handbedienung muss ausgeführt werden, wenn der Strom ausfällt oder Störungen der Anlage vorliegen.

Sind Sie zufrieden? Wenn Sie eine neue Automatisierung für Ihr Haus wollen und sich an denselben Installateur und an Nice wenden, werden Sie sich die Beratung eines Fachmanns und die fortgeschrittensten Produkte auf dem Markt, aber auch den besten Betrieb und die größte Verträglichkeit zwischen den Automatisierungen zusichern.

Wir danken Ihnen, dass Sie diese Ratschläge gelesen haben, und wünschen Ihnen größte Zufriedenheit mit Ihrer neuen Anlage: wenden Sie sich für gegenwärtige oder zukünftige Bedarfsfälle vertrauensvoll an Ihren Installateur.

Schlüsselentriegelung des Typs MEA2

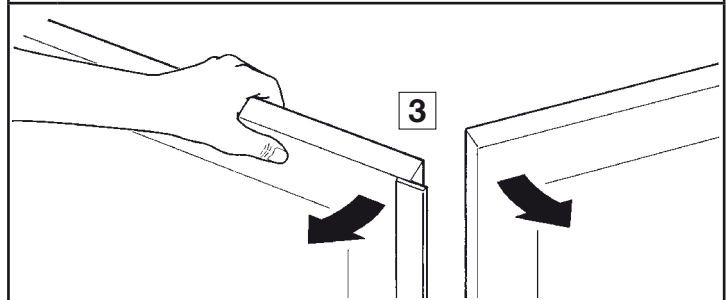
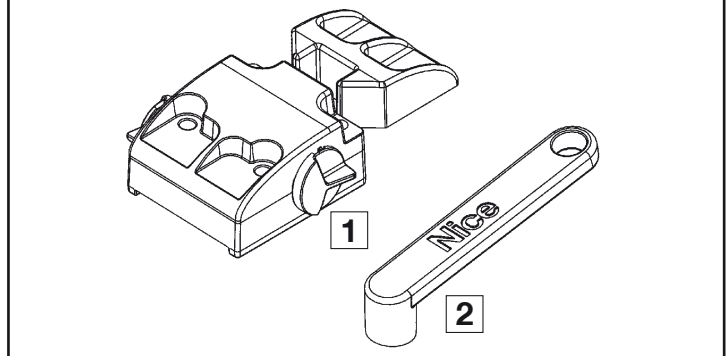
1. Den Schlossdeckel senken.
2. Den Schlüssel stecken und um 90° im Uhrzeigersinn drehen.
3. Den Torflügel von Hand betätigen.



ACHTUNG! – Das Tor wird bei der ersten elektrischen Betätigung automatisch funktionieren.

Hebelentriegelung des Typs MEA3

1. Den Schlossdeckel senken.
2. Den Hebel stecken und um 90° im Uhrzeigersinn drehen.
3. Den Torflügel von Hand betätigen.



ACHTUNG! – Das Tor wird bei der ersten elektrischen Betätigung automatisch funktionieren.



Instrukcje i ostrzeżenia przeznaczone dla użytkownika motoreduktora

Gdy automatyka spełnia wasze wymagania w zakresie bezpieczeństwa i zgodnie z normami prawnymi nie znaczy to, że nie istnieją inne niebezpieczeństwa. Mogą się bowiem utworzyć się sytuacje ni bezpieczne spowodowane nieodpowiedzialnym i błędnym użytkowaniem. Dlatego też chcemy przekazać wam użyteczne wskazówki w celu uniknięcia takich niekorzystnych sytuacji:

- **Przed pierwszym uruchomieniem automatyki** należy poprosić instalatora o dokładne przedstawienie ewentualnych niebezpieczeństw. Przeczytać **instrukcję i ostrzeżenia dla instalatora**, którą wam przekazał. Należy przechowywać instrukcję w celu możliwych późniejszych konsultacji i przekazać ją ewentualnemu następnemu użytkownikowi bramy.
- **Wasz automat jest maszyną, która dokładnie wykonuje wasze polecenia;** niewłaściwe lub nieuprawnione użycie może stać się niebezpieczne: nie sterujcie ruchem bramy, jeśli w jej pobliżu znajdują się osoby, zwierzęta lub przedmioty.
- **Dzieci:** automatyka gwarantuje wysoki stopień bezpieczeństwa. Zatrzymuje ruch, gdy jej system zabezpieczający odczyta obecność osób lub rzeczy i gwarantuje uaktywnienie tego systemu w sposób pewny i przewidziany. Bezpieczniej jednak jest zabronić dzieciom bawienia się w pobliżu automatyki jak również pozostawionymi bez nadzoru pilotami, aby uniknąć nieumyślnego włączenia: **to nie zabawka!**
- **Usterki:** Gdy zauważy się jakiegokolwiek niewłaściwe zachowanie automatyki należy odłączyć od niej zasilanie elektryczne i wysprzędzić ręcznie. Nie próbujcie sami wykonać jakiegokolwiek naprawy, lecz zwróćcie się o pomoc do waszego zaufanego instalatora: wezwać uprawnionego instalatora: brama może funkcjonować również bez automatyki.
- **Czynności konserwacyjne.** Automat, jak każda maszyna, wymaga okresowych czynności konserwacyjnych, co gwarantuje jej bezpieczne i długoletnie funkcjonowanie. Uzgodnić z waszym instalatorem program okresowych przeglądów konserwacyjnych. Firma Nice poleca, aby przeglądy wykonywać co sześć miesięcy, ale zależy to też od intensywności użytkowania. Wszelkie czynności związane z kontrolą, konserwacją czy naprawą zlecić tylko wykwalifikowanemu technikowi.
- Nawet jeśli uważacie że potraficie, nie modyfikujcie urządzenia i parametrów programowania oraz nie regulujcie automatyki: należy to do waszego instalatora.
- Kontrola końcowa, okresowe przeglądy i ewentualne naprawy mają być udokumentowane przez osobę wykonującą te czynności: dokumenty te ma przechowywać właściciel instalacji.
- **Złomowanie.** Po zakończeniu okresu użytkowania automatyki dopilnujcie, aby likwidacja została przeprowadzona przez wykwalifikowany personel i aby materiały zostały poddane recyklingowi lub utylizacji zgodnie z obowiązującymi przepisami.
- **W wypadku uszkodzenia lub braku zasilania.** Oczekując na przybycie instalatora (lub na powrót energii elektrycznej oraz gdy instalacja nie posiada akumulatorów awaryjnych) urządzenie może być uruchamiane ręcznie, czyli jak każde inne urządzenie nieautomatyczne. Wysprzędzić urządzenie ręcznie: ta czynność jest jedyną czynnością, którą może wykonać użytkownik. Jest to funkcja dokładnie opracowana przez firmę Nice w celu ułatwienia jej obsługi bez stosowania narzędzi i wysiłku fizycznego.

● Ruch ręczny (odblokada na klucz i z dźwignią)

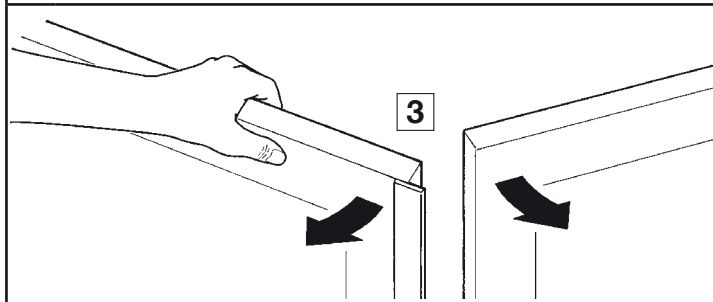
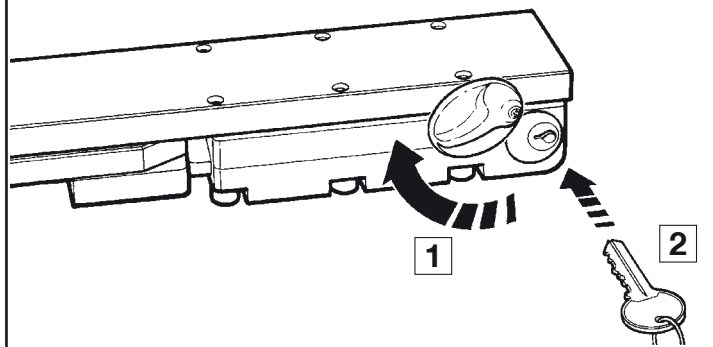
Czynności ręczne należy wykonać w wypadku braku prądu lub w wypadku zaistnienia awarii urządzenia.

Bent u tevreden? Indien u in uw huis nog een nieuwe automatiseringsinstallatie zou willen, kunt u zich, wanneer u zich tot dezelfde installateur en Nice wendt, van de adviezen van een specialist en de meest geavanceerde producten op de markt verzekeren. Het resultaat: een automatisering die het best functioneert en een maximale compatibiliteit met de andere automatiseringen heeft.

Wij bedanken u voor het lezen van deze aanbevelingen, en wij hopen dat u veel plezier van uw nieuwe installatie zult hebben: wend u voor elke vraag, nu of in de toekomst, vol vertrouwen tot uw installateur.

Odblokada na KLUCZ typu MEA2

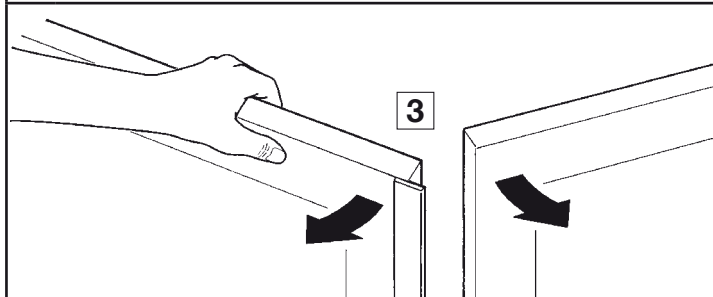
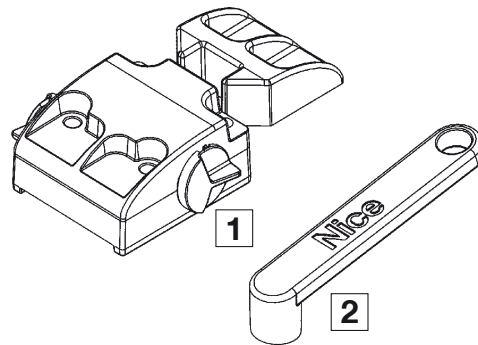
1. Opuść pokrywę obejmującą zamek.
2. Włożyć klucz i przekręcić o 90 w kierunku ruchu wskazówek zegara.
3. Ręcznie otworzyć skrzydło.



UWAGA! – Funkcjonowanie automatyczne przywróci przy pierwszym ruchu elektrycznym.

Odblokada z dźwignią typu MEA3

1. Opuść pokrywę obejmującą zamek.
2. Włożyć dźwignię i przekręcić o 90 w kierunku ruchu wskazówek zegara.
3. Ręcznie otworzyć skrzydło.



UWAGA! – Funkcjonowanie automatyczne przywróci przy pierwszym ruchu elektrycznym.

Ook al beantwoordt de automatisering in uw bezit aan het in normen en wetten voorgeschreven veiligheidsniveau, dit sluit niet uit dat er een "restrisco" bestaat, dat wil zeggen de mogelijkheid dat er gevaarlijke situaties kunnen ontstaan, die gewoonlijk te wijten zijn aan onverantwoordelijk of zelfs verkeerd gebruik. Hierom willen wij u enige adviezen geven hoe u met de automatisering dient om te gaan teneinde elk eventueel probleem te voorkomen:

- **Voordat u de automatisering voor de eerste maal gaat gebruiken**, is het raadzaam u door de installateur te laten uitleggen waar de restrisco's ontstaan, en enkele minuten van uw tijd te besteden aan het lezen van deze handleiding met aanwijzingen en **aanbevelingen voor de gebruiker** die de installateur u overhandigd heeft. Bewaar deze handleiding voor eventuele toekomstige twijfels en geef haar aan een eventuele nieuwe eigenaar van de automatisering.

- **Uw automatisering is een machine die getrouwelijk uw instructies opvolgt**; onverantwoordelijk en oneigenlijk gebruik kan maken dat het een gevaarlijke machine wordt: laat de automatisering niet werken als er zich mensen, dieren of zaken binnen haar bereik bevinden.

- **Kinderen**: een automatiseringsinstallatie biedt een hoge graad van veiligheid, doordat ze met haar beveiligingsystemen de manoeuvre bij aanwezigheid van mensen of zaken onderbreekt en altijd een voorspelbare en veilige activering garandeert. Het is in ieder geval verstandig kinderen te verbieden in de buurt van de installatie te spelen en de afstandsbedieningen buiten hun bereik te houden om te voorkomen dat de installatie per ongeluk in werking komt: **het is geen speelgoed!**

- **Storingen**: Zodra u constateert dat de automatiseringsinstallatie niet werkt zoals ze dat zou moeten doen, dient u de stroomtoevoer naar de installatie te onderbreken en haar handmatig te ontgrendelen. Probeer niet zelf te repareren, maar roep de hulp van uw vertrouwensinstallateur in: intussen kan de installatie werken als een niet geautomatiseerde toegang, wanneer u de reductiemotor op de hieronder beschreven manier ontgrendeld hebt.

- **Onderhoud**: Zoals elke machine heeft uw installatie periodiek onderhoud nodig om haar zo lang mogelijk en geheel veilig te laten werken. Stel met uw installateur een onderhoudsplan met periodieke frequentie op; Nice raadt bij normaal gebruik bij een woning een onderhoudsbezoek om het half jaar aan, maar dit tijdsbestek kan variëren in functie van een meer of minder intensief gebruik. Alle controle-, onderhouds- of reparatiewerkzaamheden mogen uitsluitend door gekwalificeerd personeel worden uitgevoerd.

- Ook al bent u van mening dit te kunnen doen, breng geen wijzigingen aan de installatie en de programmerings- en afstellingsparameters van uw automatiseringsinstallatie aan: uw installateur is aansprakelijk.

- De opleveringstest, de periodieke onderhoudswerkzaamheden en de eventuele reparatiewerkzaamheden dienen gedocumenteerd te worden door wie die uitvoert en de documenten dienen door de eigenaar van de installatie bewaard te worden.

- **Afvalverwerking**: Als de automatisering niet meer gebruikt kan worden, dient u zich ervan te vergewissen dat de sloop daarvan door gekwalificeerd personeel wordt uitgevoerd en dat het materiaal volgens de plaatselijk geldende voorschriften wordt hergebruikt of naar de afvalverwerking wordt gezonden.

- **In geval van defecten of stroomuitval**: in afwachting van het bezoek van uw installateur, (of het terugkeren van de elektrische stroom als de installatie niet van bufferbatterijen voorzien is), mag de installatie gebruikt worden als elke andere niet-geautomatiseerde toegang. Hiertoe dient u de automatisering handmatig te ontgrendelen: aan deze handeling, die de enige is die de gebruiker van de automatisering mag uitvoeren, heeft Nice bijzonder veel aandacht besteed om u altijd een maximum aan gebruiksvriendelijkheid te garanderen, zonder dat u gereedschap moet gebruiken of fysieke kracht moet aanwenden.

● Handbediende manoeuvre (ontgrendeling met sleutel en met hendel)

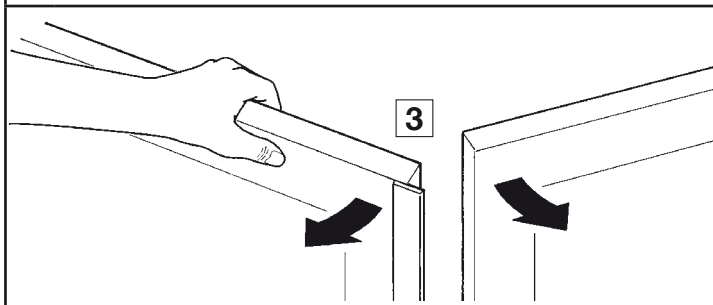
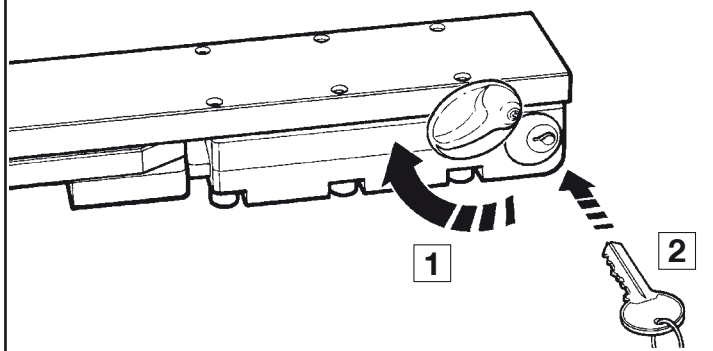
Er moet een handmatige manoeuvre uitgevoerd worden in geval van stroomuitval of in geval van storingen in de installatie.

Bent u tevreden? Indien u in uw huis nog een nieuwe automatiseringsinstallatie zou willen, kunt u zich, wanneer u zich tot dezelfde installateur en Nice wendt, van de adviezen van een specialist en de meest geavanceerde producten op de markt verzekeren. Het resultaat: een automatisering die het best functioneert en een maximale compatibiliteit met de andere automatiseringen heeft.

Wij bedanken u voor het lezen van deze aanbevelingen, en wij hopen dat u veel plezier van uw nieuwe installatie zult hebben: wend u voor elke vraag, nu of in de toekomst, vol vertrouwen tot uw installateur.

Ontgrendeling met SLEUTEL type MEA2

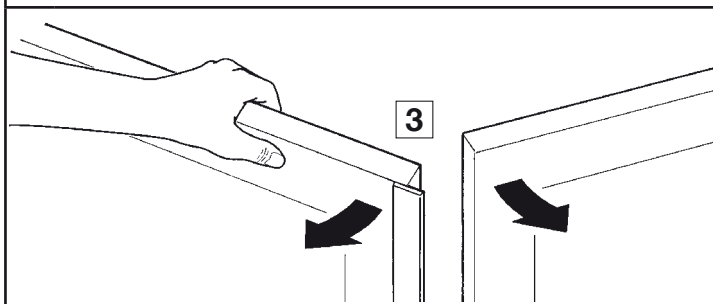
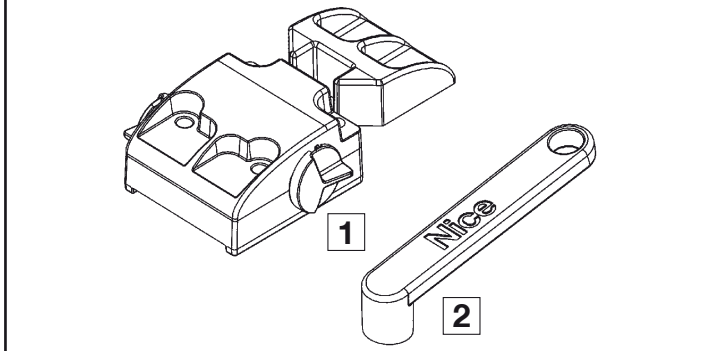
1. Draai naar beneden het afdekplaatje van het slot naar beneden zoals dat op de afbeelding te zien is.
2. Steek de sleutel erin en draai deze met de wijzers van de klok 90° om.
3. Beweeg de vleugel handmatig.



LOT OP! – Automatische werking zal bij de eerste elektrische manoeuvre plaats vinden.

Ontgrendeling met hendel type MEA3

1. Draai naar beneden het afdekplaatje van het slot naar beneden zoals dat op de afbeelding te zien is.
2. Steek de hendel erin en draai deze met de wijzers van de klok 90° om.
3. Beweeg de vleugel handmatig.



LOT OP! – Automatische werking zal bij de eerste elektrische manoeuvre plaats vinden.



Nice SpA
Oderzo TV Italia
info@niceforyou.com

www.niceforyou.com