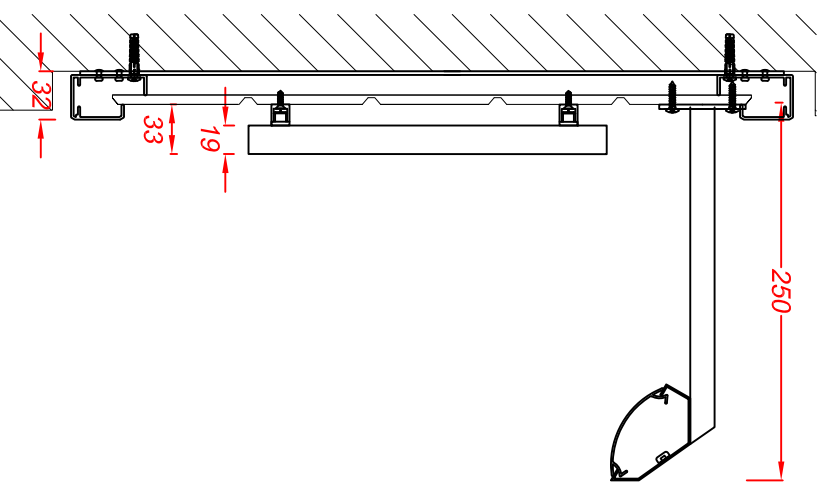


Display Elevation
Scale 1:50

existing uplighter retained, some of the existing signwritten text removed

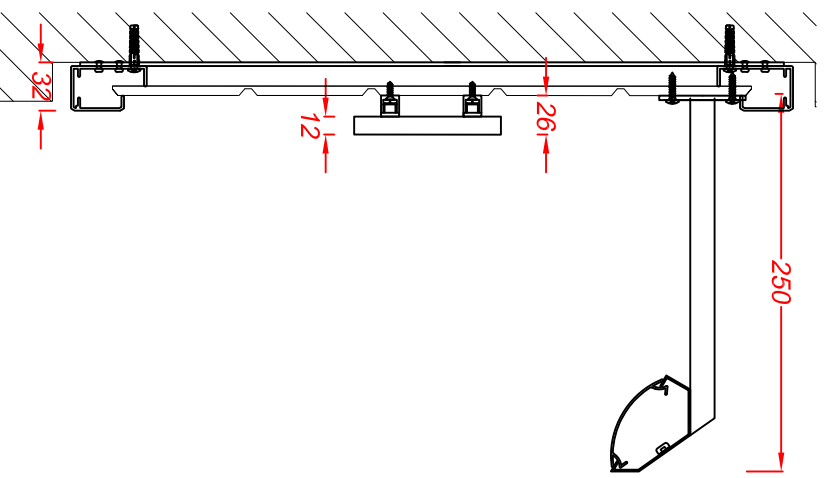


Section A-A through the text
Scale 1:5

Panels from 15mm thk exterior quality ply finished off white with grout line sign written in black to provide a realistic tiled appearance. Border/frame to be folded all finished satin black fixed to ply.
Panels to fixed to background with 10mm foamex spacers top and bottom.

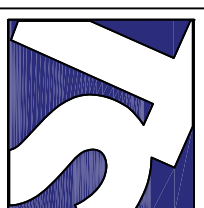
Flat cut letters are 19mm and 12mm Trovidur which is finished black. Screw fixed to the fascia on locators.

Black steel troughs over the letters are fitted with low energy cool white LEDs for external illumination.



Section B-B through the text
Scale 1:5

0m 0.3m



Technical Signs
Floor 1 - Unit 3
Hille Business Centre
132 St Albans Road
Watford, Herts, WD24 4AE
Tel: 01923 811999
Fax: 01923 811998
Email: info@technicalsigns.co.uk

Client: The Hope	
Address/job details	
15 Tottenham St Fitzrovia W1T 2AJ	
Proposed Signage	
Job No. -	
Drawn by DN	Date 21/01/22
Scale As specified (A3)	Drawing No 596501-4
	Rev