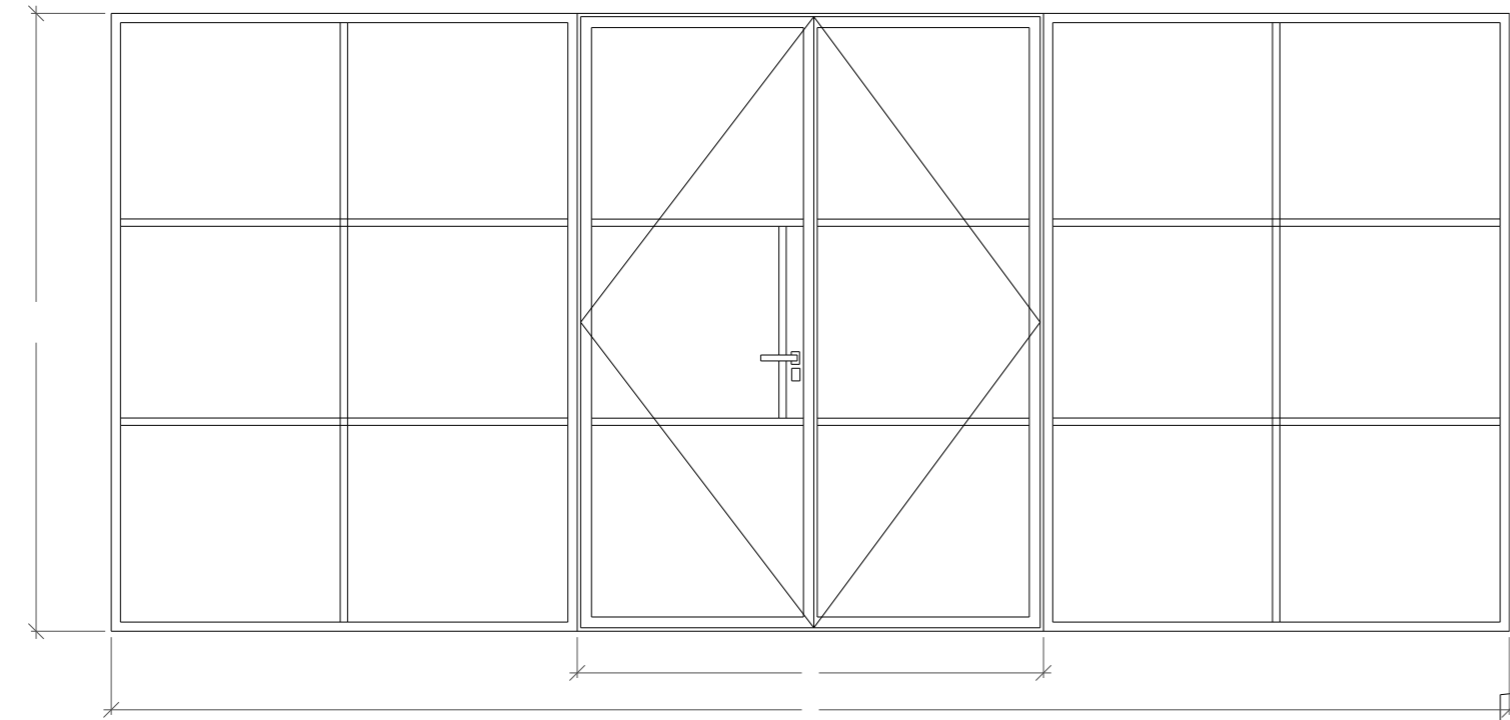
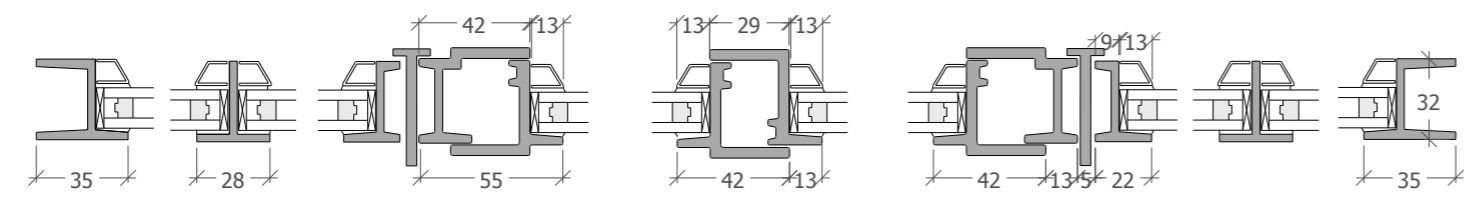
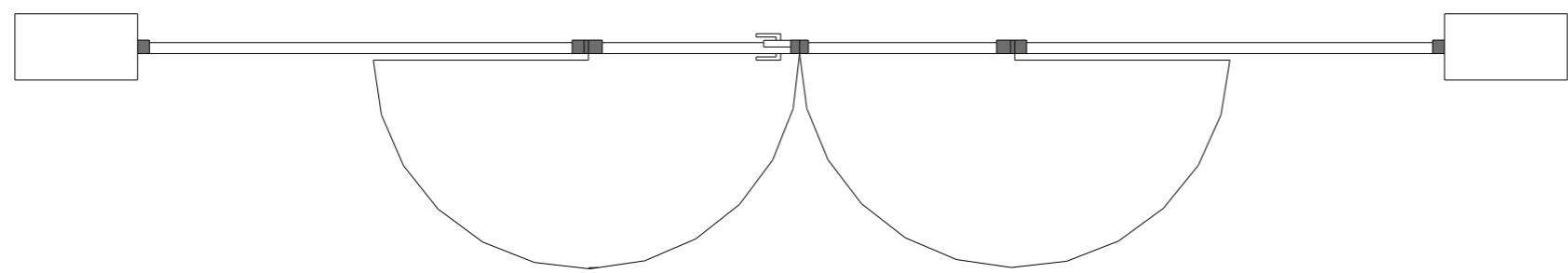
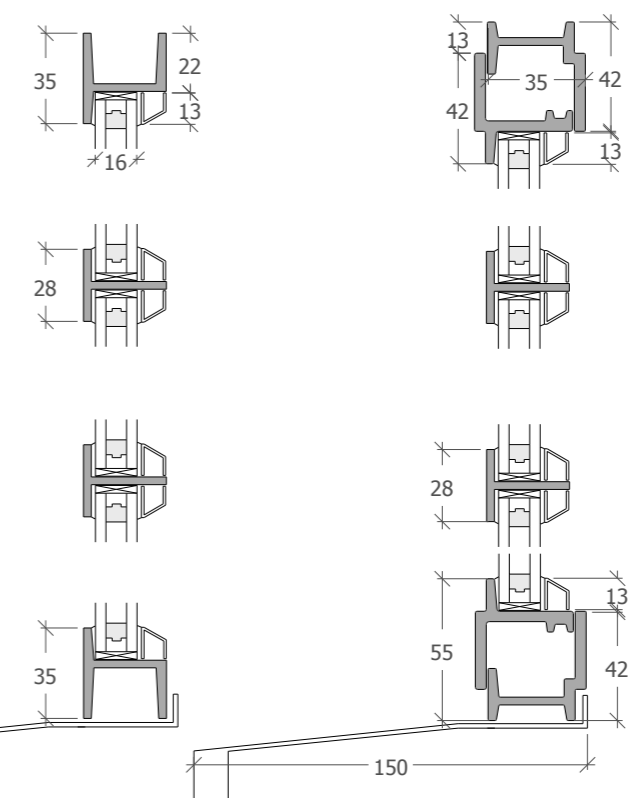


FRAME 1
EXTERNAL
VIEW FROM HINGE SIDE
TYPICAL SECTION DETAILS



VERTICAL CROSS SECTION



HORIZONTAL CROSS SECTION

DETAILS.
ORIGINAL STEEL
by
DesignPlus

16mm UNITS
(4T/8Kr/4T)

MAX. SIZES

SGL LEAF DOOR
900 W x 2500 H mm
1800 W x 2500 H mm

OVERALL U VALUE
1.8W/m2K

NOTES

This drawing is copyright of Design Plus London Limited



22 NORTH END PARADE
LONDON, W14 0SJ

0207 602 1087
hello@designpluslondon.co.uk

PROJECT
ORIGINAL STEEL
by DesignPlus

DATE
2021

REV 0

DRAWINGS ARE MOCK UPS FOR ILLUSTRATION PURPOSES ONLY, DO NOT SCALE FROM THIS DRAWING