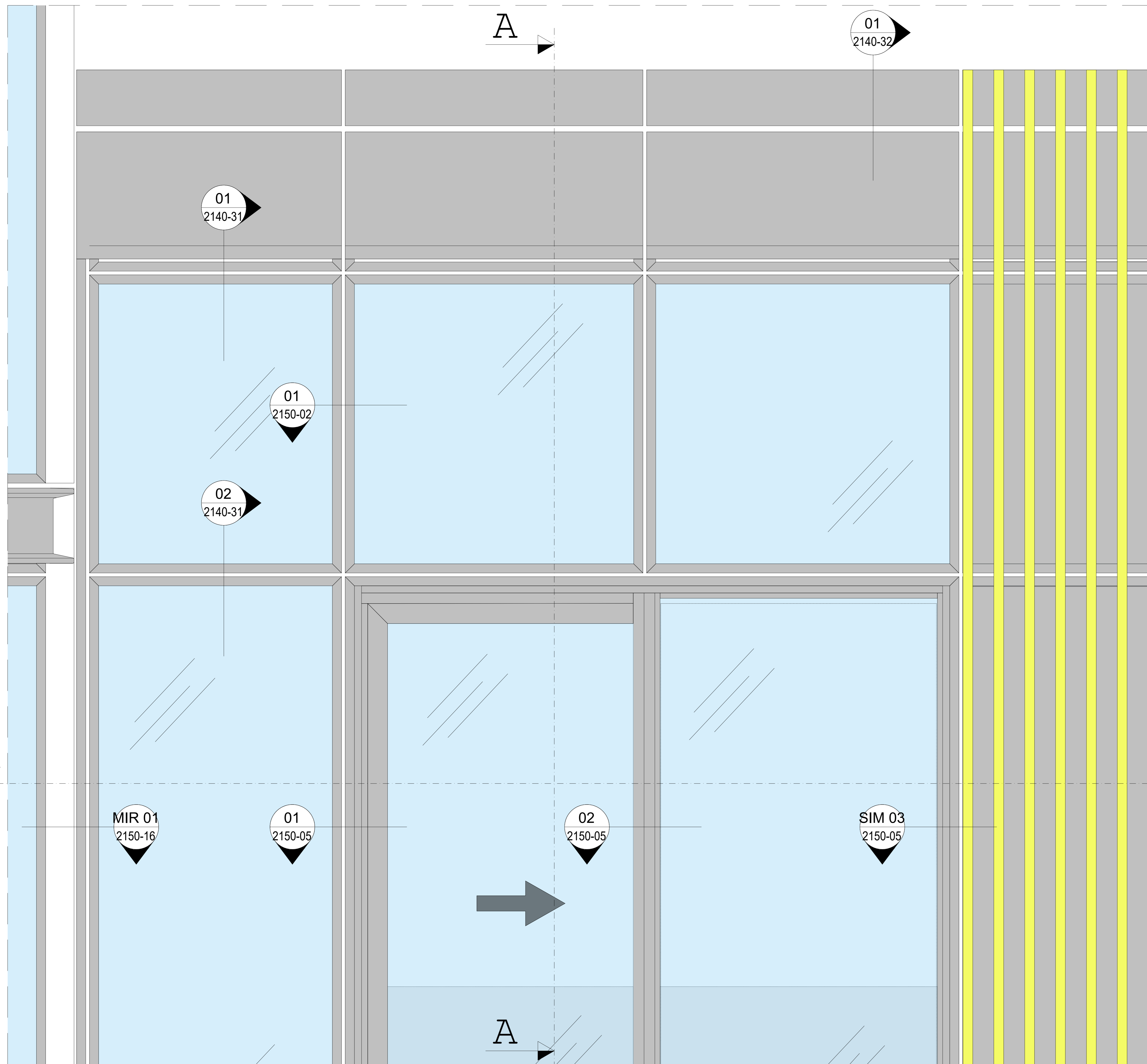
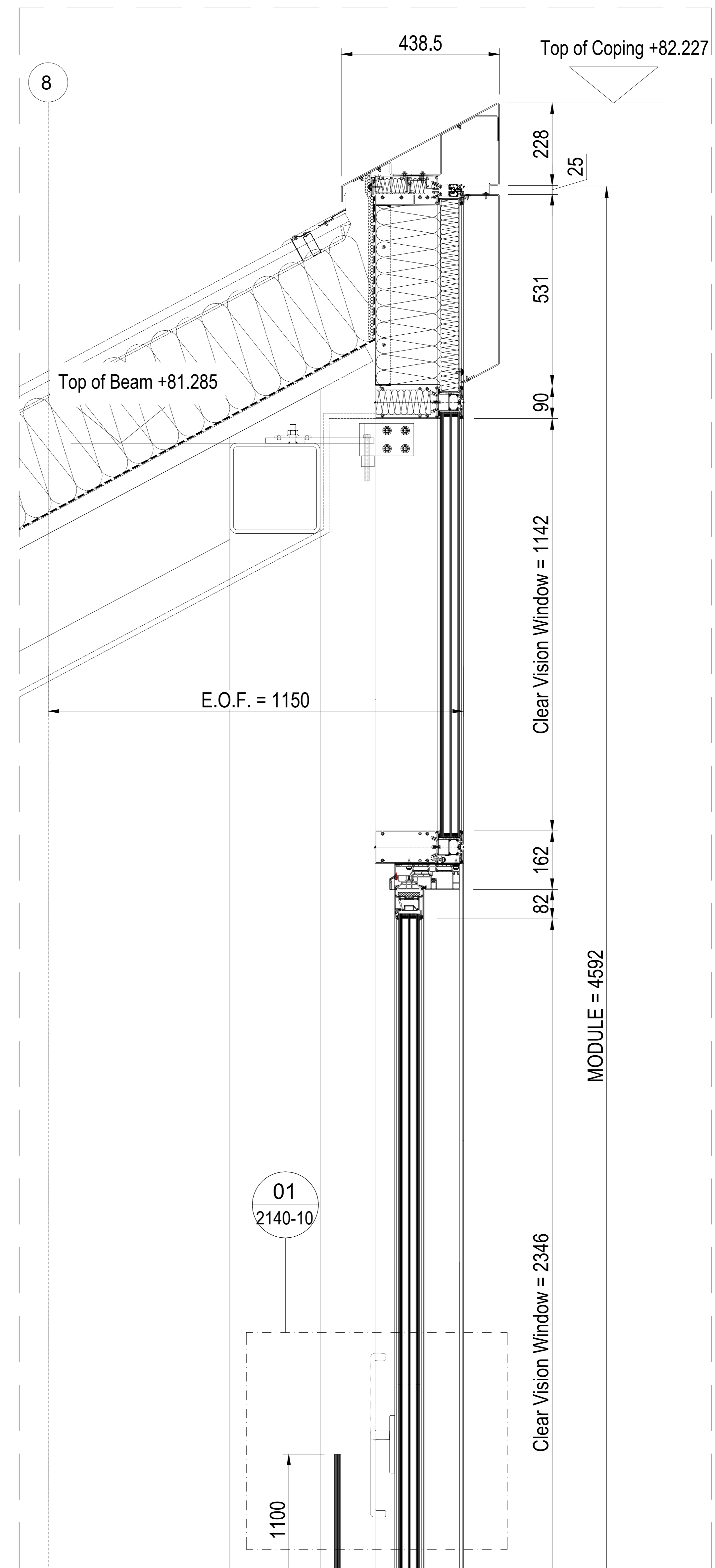


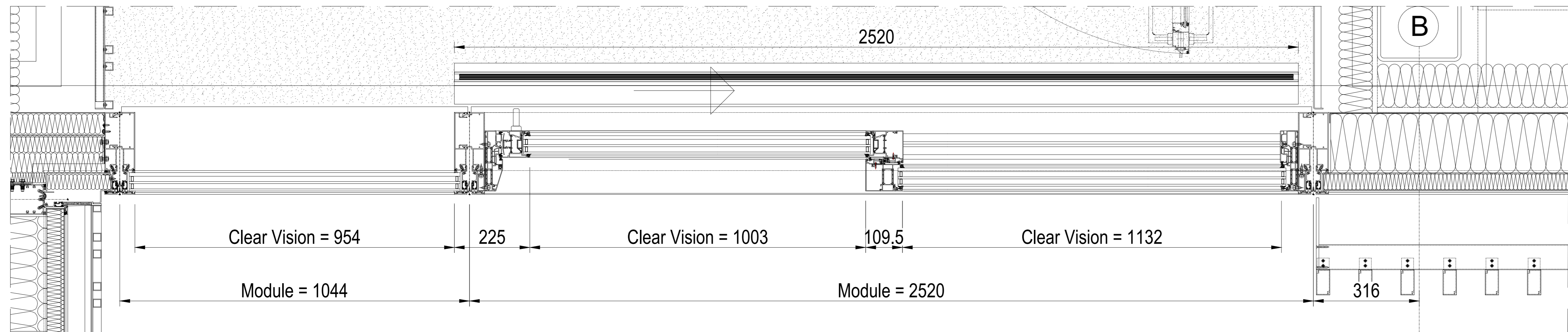
PARTIAL ELEVATION



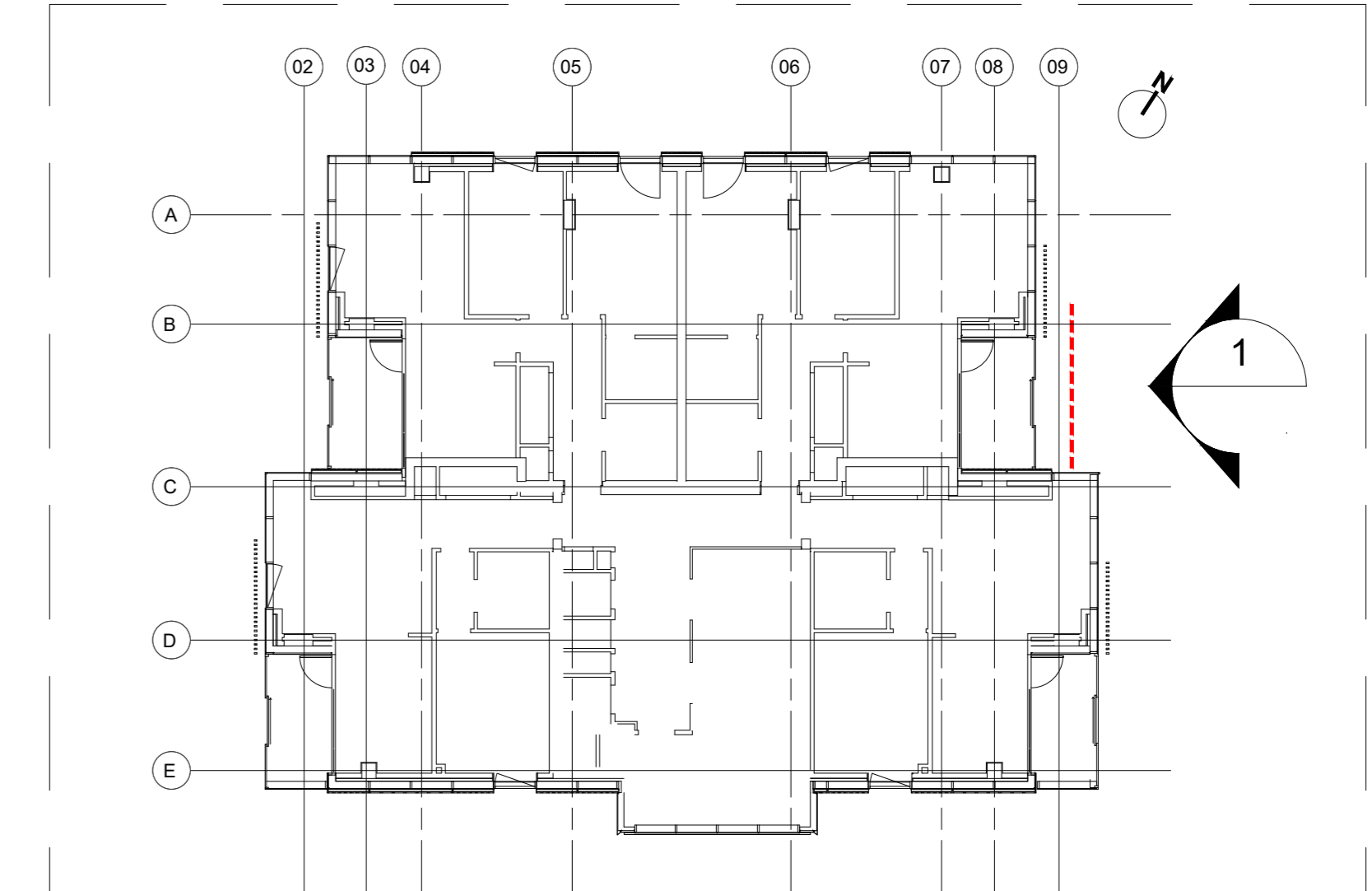
SECTION A-A



SECTION C-C



KEY PLAN



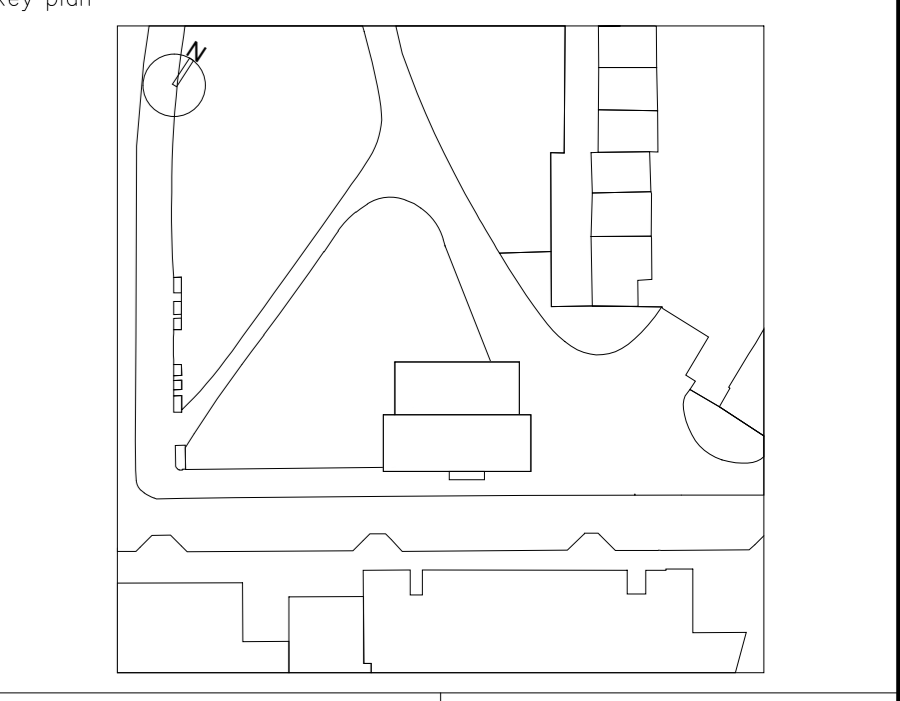
Proprietary Note:  
The copyright of this drawing remains with us. No copies may be taken without our written consent nor the drawing made available to third parties. Legal action will be taken in case of breach of the above requirement.

NOTES:

Design Architect  
**Stiff + Trevillon Architects Ltd**  
16 Woodfield Road, London W9 2BE

Client  
**Henry Construction Projects Ltd**  
Church Rd, Cranford, Middlesex, TW5 9RY

Project name  
**BRILL PLACE RESIDENTIAL TOWER**  
Brill Place, London



**bluesteel**  
EXCELLENCE FOR ARCHITECTURE  
Via Vittorio Veneto, 15 - 31014 San Martino di Cole Umberto (TV) Italy  
Phone: 0438-500103 - Fax: 0438-500498

Title  
**Unitized System Facade**  
**EWS01 - Partial Elevations**  
**WinterGarden @ East Lvl 18**

Drawn by: **A. Zanin** | Checked by: **D. Da Re** | Approved by: **L. De Noni**  
Scale (A0 size): 1:20 | First date of issue: 14.05.2021

Status: - | Drawing No.: **0182-2125-15** | Revision No.: **00**

DIVULGATION AND REPRODUCTION FORBIDDEN BY LAW