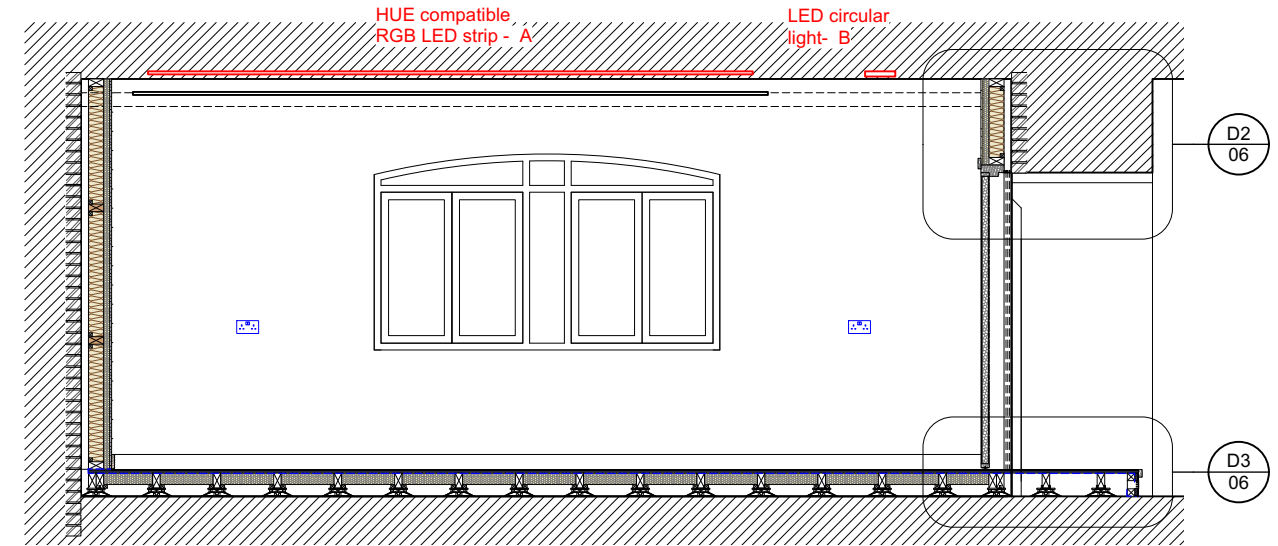
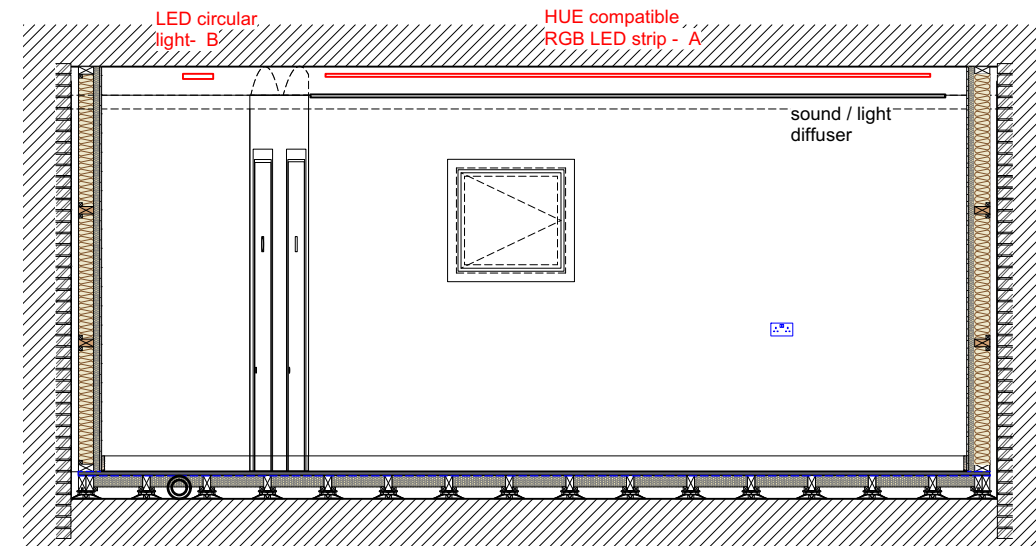


VIEW A
Scale: 1:50



VIEW B
Scale: 1:50



VIEW C
Scale: 1:50

Walls:

- 53 mm Gyproc ThermaLine PIR board with integral vapour control layer
- Rockwool insulation within treated timber studframework, studwork restrained to existing walls using ss angle fixings plug/screw fixed into brickwork joints
- 50mm ventilated space
- existing brickwork walls

Floor:

- floor finish (carpet / vynil / lioleum)
- 18mm WBP pywood floor
- VCL membrane
- 75 mm PIR insulation within treated timber joists @400 mm centers supported on adjustable height plastic cradled supports (Mesa support or equal)
- 100 x 50 C24 treated sw joists
- 50mm ventilated space
- existing floor (various finish)

C 19/01/2022 Amendments following comments from Conservation Officer - Glazed canopy to lightwell omitted
 B 10/12/2021 Lighting information added
 A 30/11/2021 Amendments following comments from the Client

 Chartered Building Surveyors Project Managers Land Agents LONDON 181 Union Street, Southwark, SE1 0LN HAMPSHIRE Rose Cottage, The Bury Odiham, RG29 1NB T 01256 701176 www.ryanbunce.co.uk email: info@ryanbunce.co.uk	PROJECT Rosslyn Hill Chapel 3 Pilgrim's Pl, London NW3 1NG	CLIENT Rosslyn Hill Chapel		
	DRAWING TITLE CRYPT INTERNAL ELEVATIONS AS PROPOSED	DATE 05/10/2021	SCALE 1:50	DRAWN BY
	File name: Rosslyn Hill Chapel Crypt REV A v2022.vwx Printed on: 05/10/2021		DRAWING NO J239 / 05	REV C