



lux bifold door

the slimmest bifold door

the slimmest sightlines with **30mm profile** widths

stainless steel hardware for smooth sliding actions

large pane sizes of 3m tall and 1.2m wide per panel

integrated locking that maintains slim profiles

impressive performance; water (7A) and air (4)

structurally bonded system for added strength and performance

flexible possibilities with **corner sliding + biparting doors**

efficient manufacturing + lead times

lux bifold door

Technical Data Sheet

GLASS

Structurally bonded into slim aluminium profiles
Typical Glass Spec 6mm toughened outer /
20mm argon filled cavity / 6mm toughened inner
with low e coating
Maximum Glass Weight 100kg per vent
Glass Options Solar Control Glass, Low Iron
Glass, Low Maintenance Glass.
Maximum Glass Thickness 32mm

IRONMONGERY

Rails Stainless Steel
Wheels Stainless Steel
Hinges Extruded aluminium
Locking up to 3 point locking operated via euro
cylinder key lock
Handles a range of options available, set at 1.1m
from FFL

CONFIGURATIONS

Inward/Outward Opening
Pass doors possible.
No restriction on number of bifolding panes.
Bi-parting, Opening corners (with the same or
different panel numbers meeting one another).

MAXIMUM SIZES

Width 1200mm per vent
Height 3000mm



FRAME

Ultra slim, thermally broken aluminium profile with
structurally bonded glass
Vent Frame 30mm
Meeting Profile (overall) 74mm
Base Frame (above FFL) 58mm
Overall System Depth 77mm
Head Frame 100 / 126mm

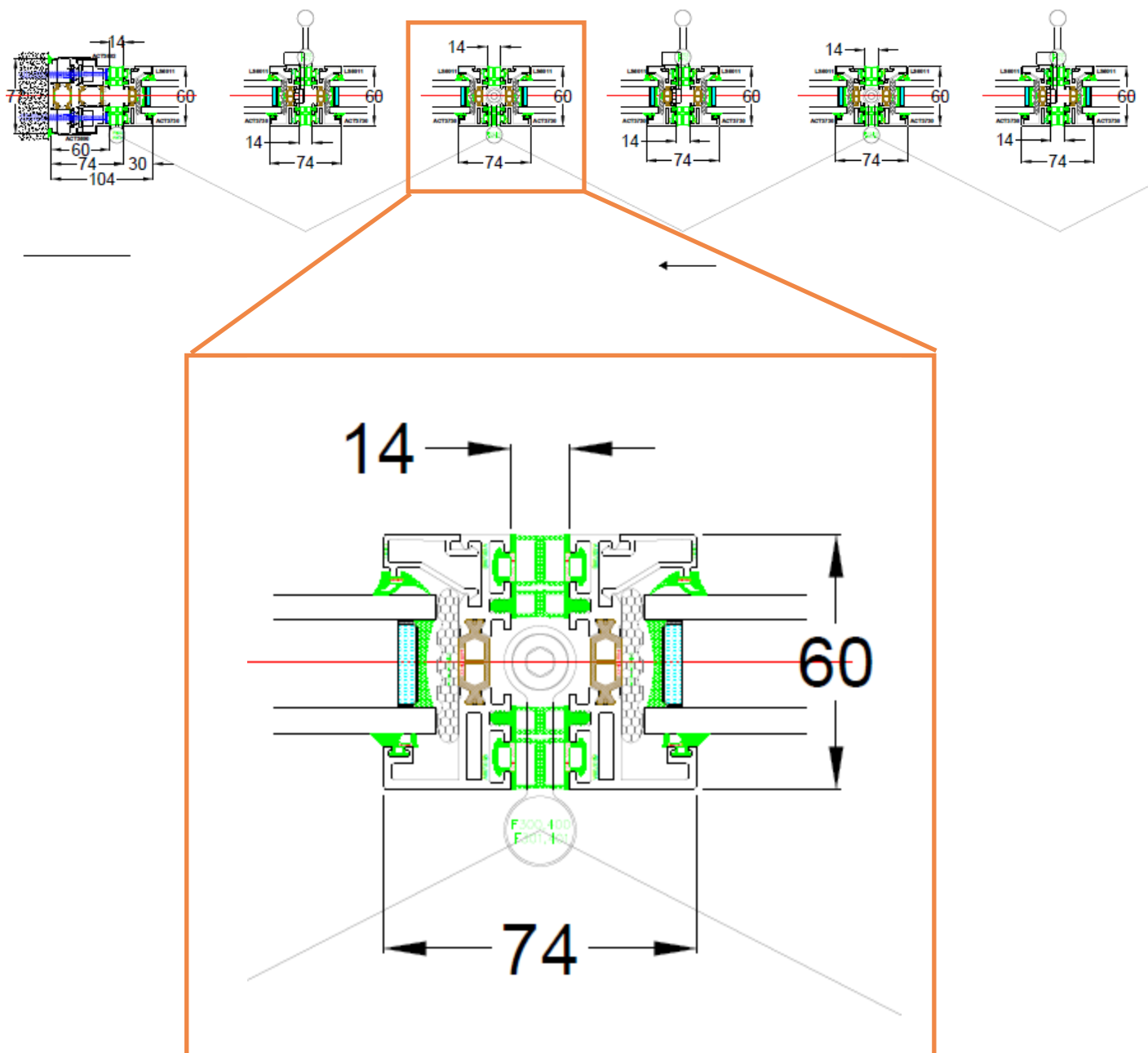
PERFORMANCE

Uw Value from 1.6 W/m²K*
Air Permeability Class 4 in accordance with EN
12207
Water Tightness Class 7A to 9A in accordance
with EN 12208
*typical Uw value based on Ug values 1.0 to 1.3.
Individual project Uw values must be calculated per project.

lux bifold door

Typical Frame Sections

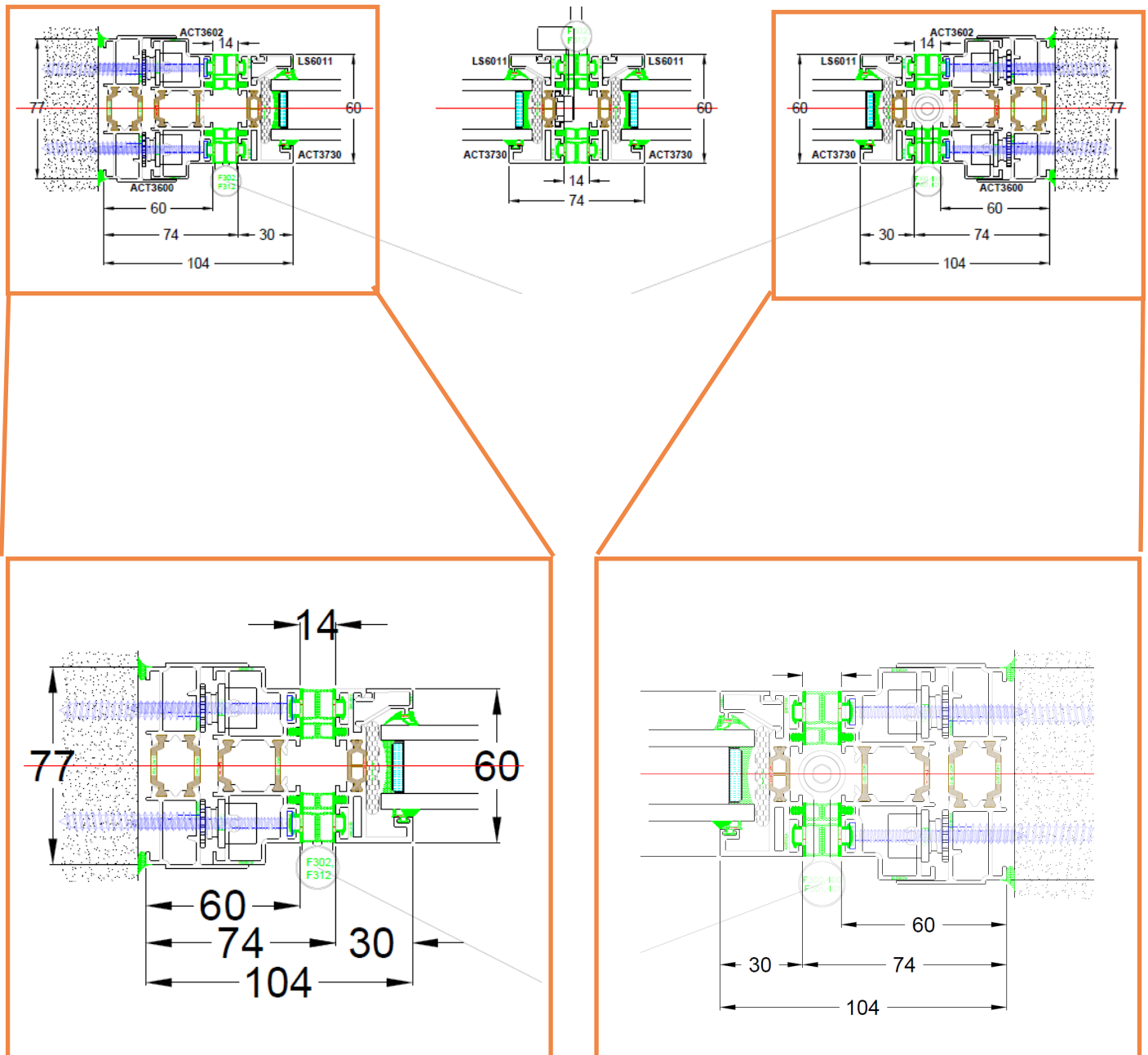
HORIZONTAL SECTION, MEETING STILE



lux bifold door

Typical Frame Sections

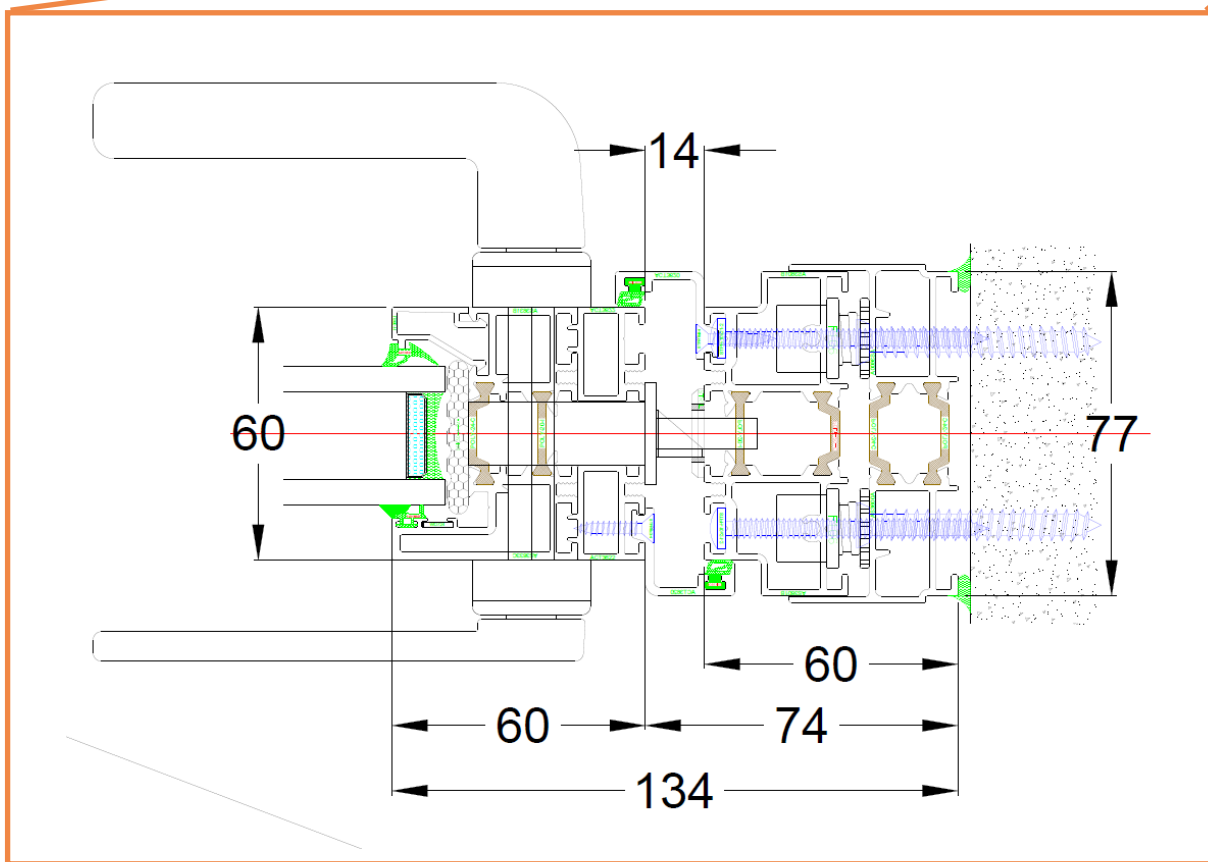
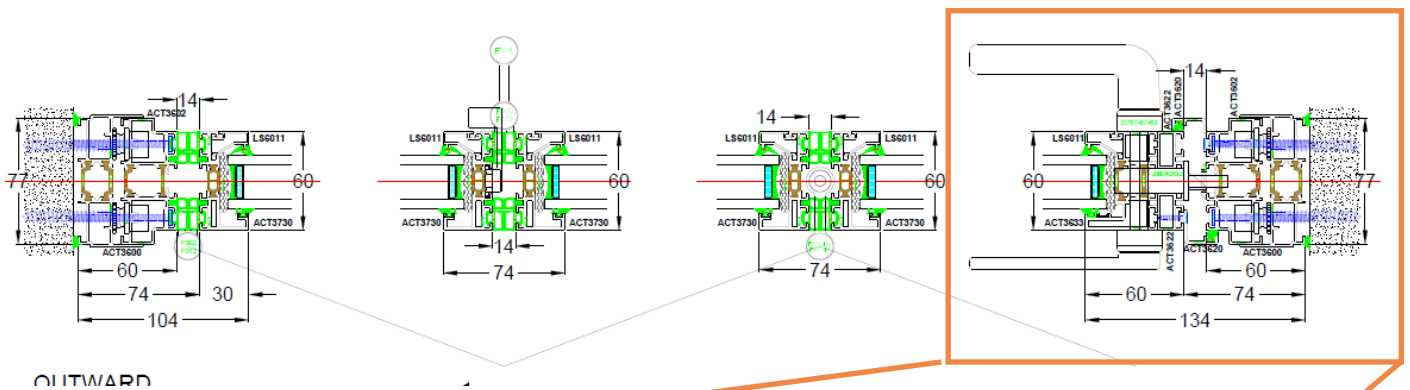
HORIZONTAL SECTION, SIDE PROFILE WITH FIXED + VENT FRAME



lux bifold door

Typical Frame Sections

HORIZONTAL SECTION, SIDE PROFILE WITH FIXED + VENT FRAME, PASS DOOR

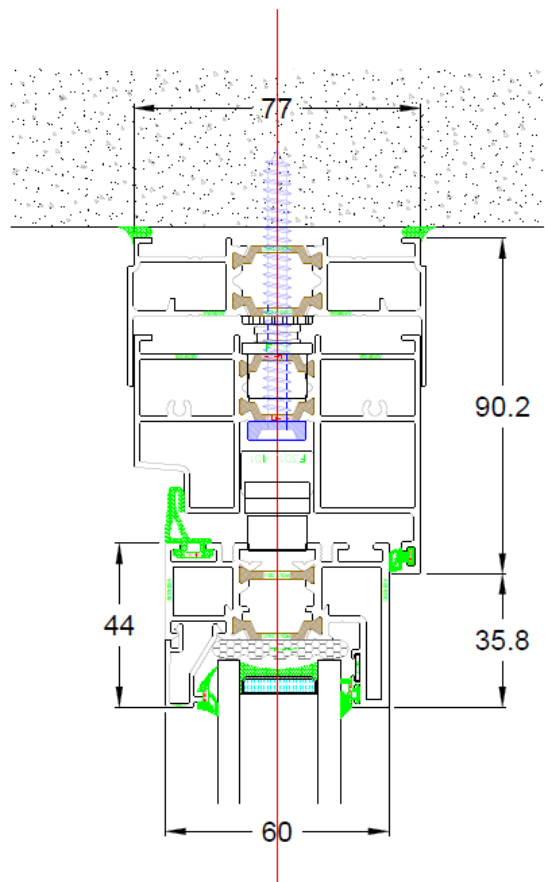
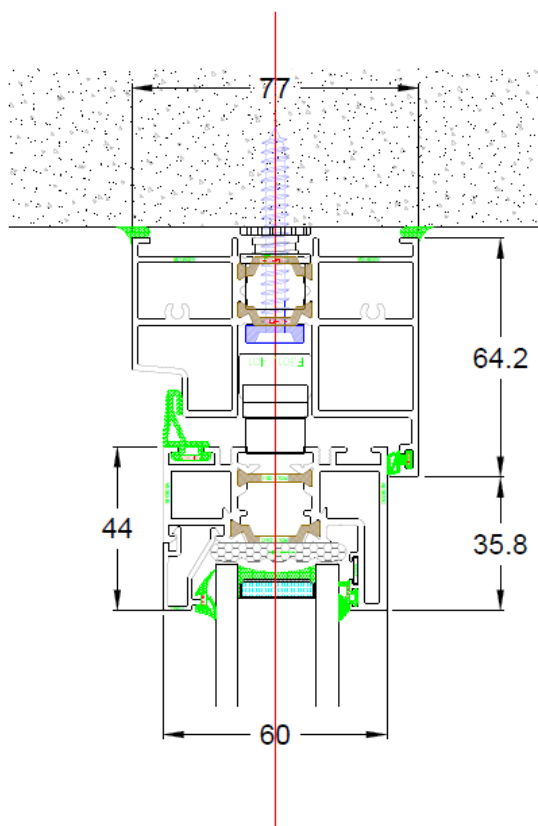


lux bifold door

Typical Frame Sections

VERTICAL SECTION, HEAD FRAME

Adjustable head for spans over 3.8m wide.

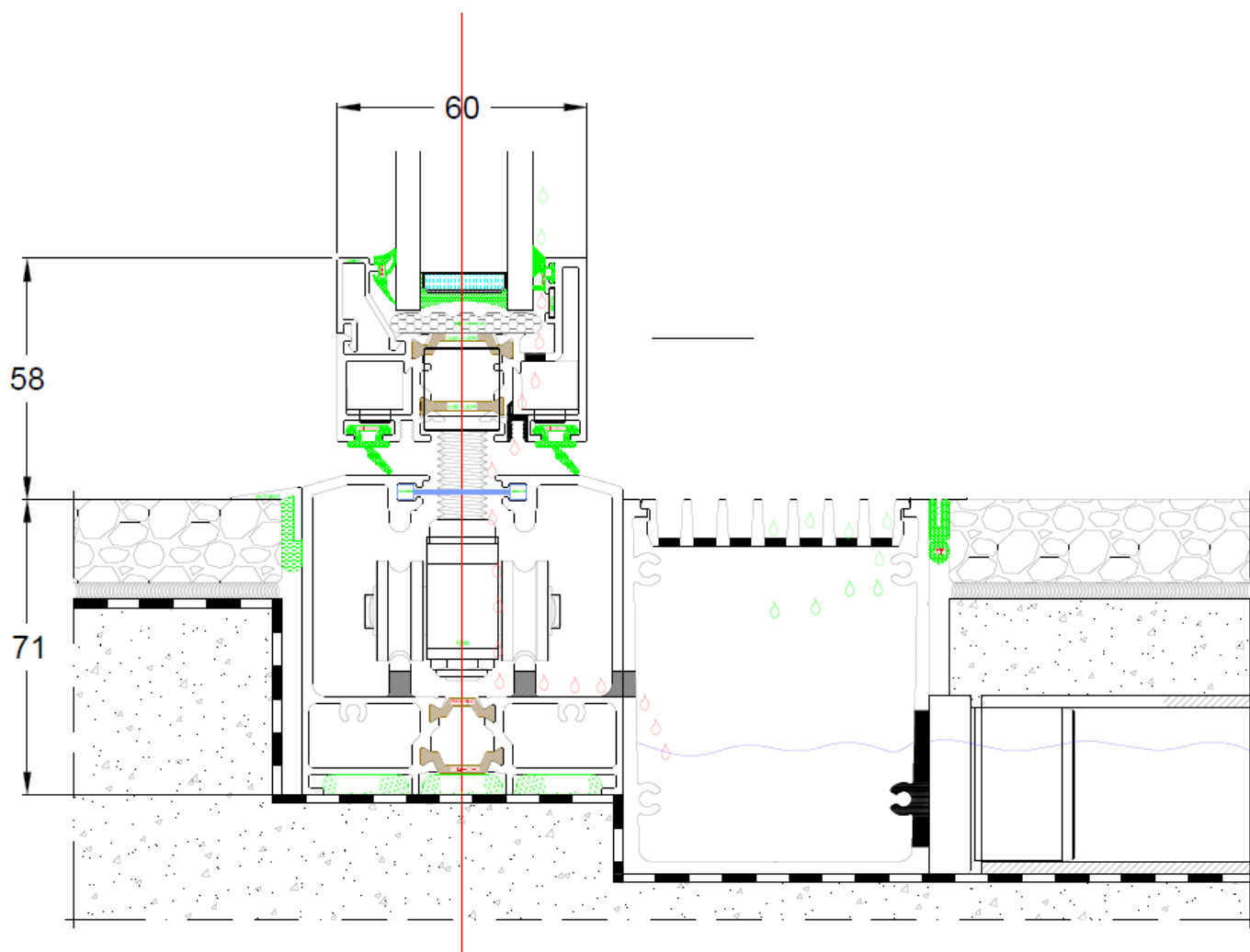


lux bifold door

Typical Frame Sections

VERTICAL SECTION, TYPICAL BASE DETAIL

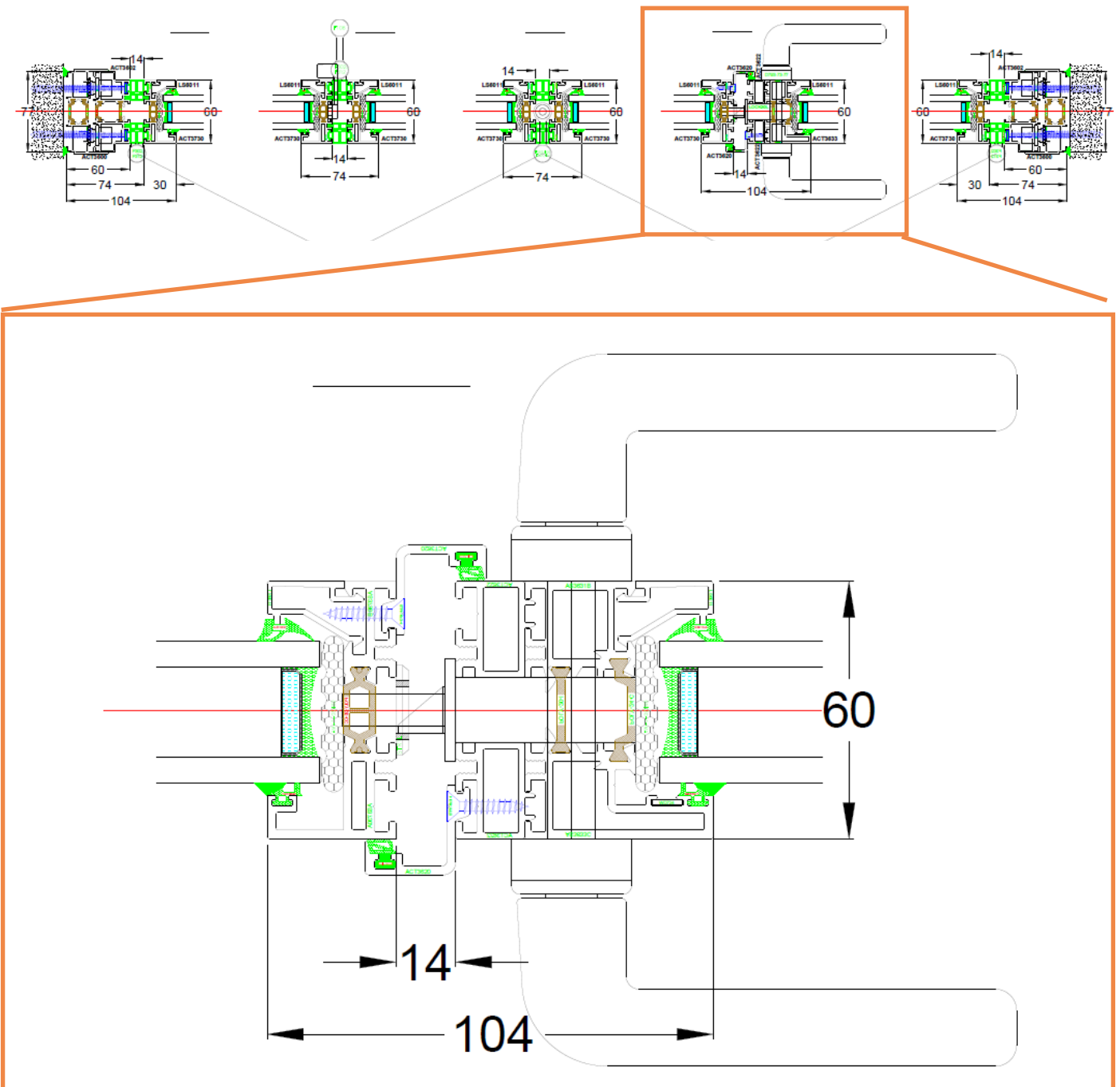
Water tightness Class 7A



lux bifold door

Typical Frame Sections

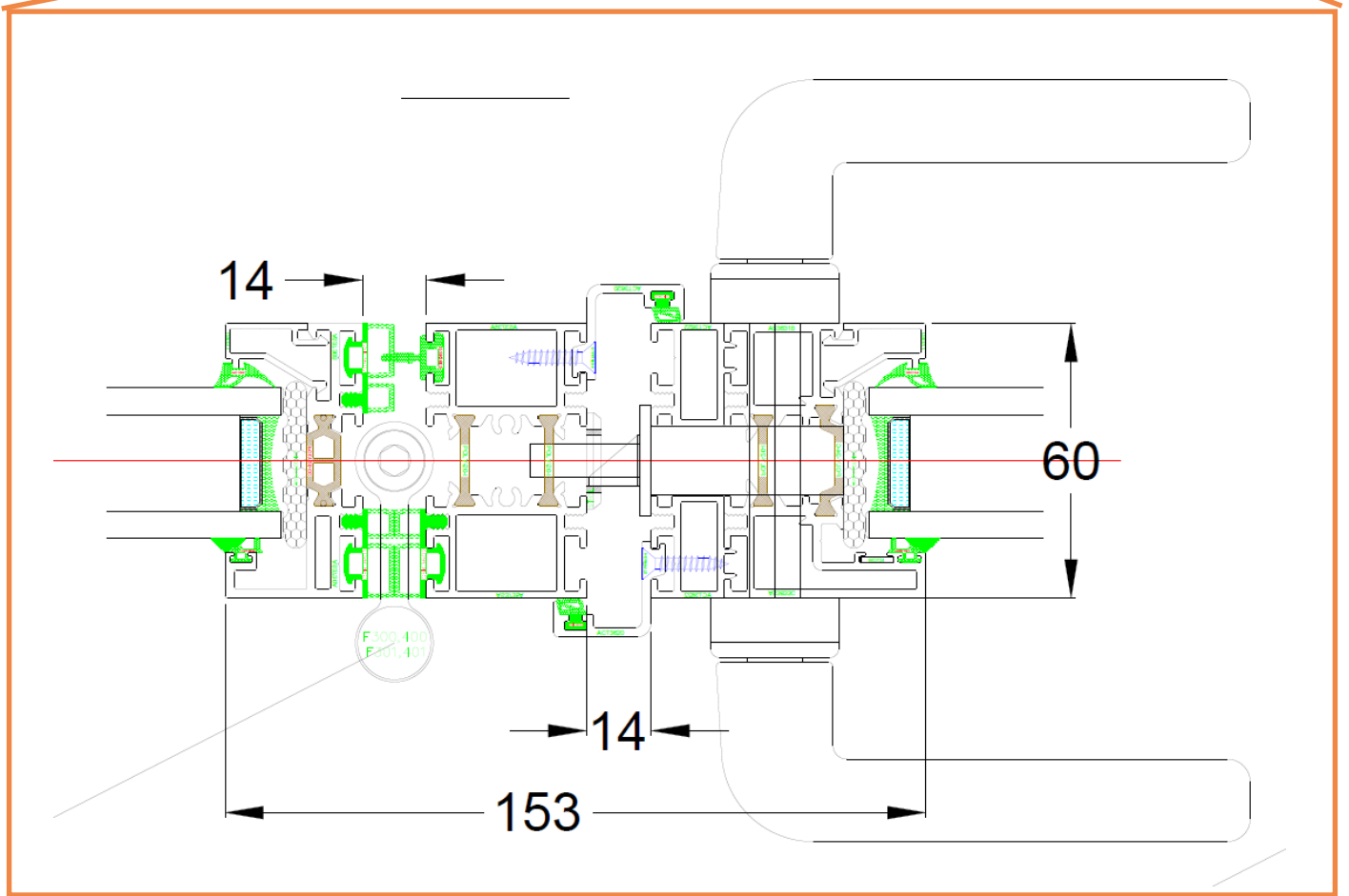
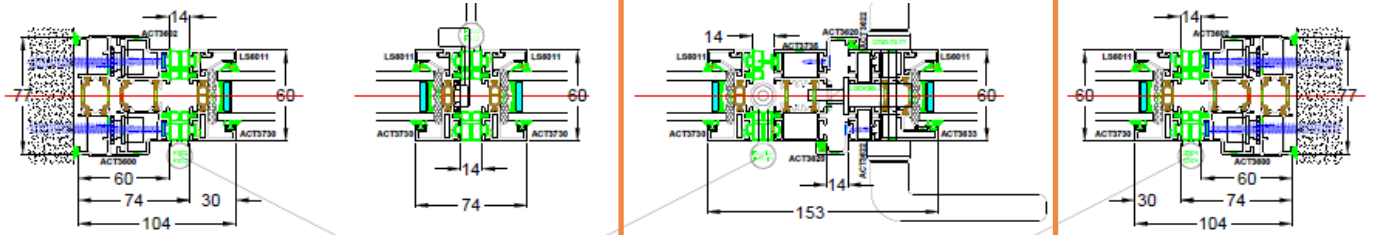
HORIZONTAL SECTION, BIPARTING MEETING STILE, UNEVEN TO UNEVEN



lux bifold door

Typical Frame Sections

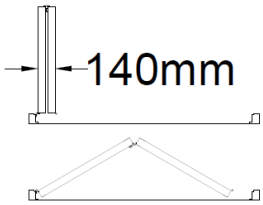
HORIZONTAL SECTION, BIPARTING MEETING STILE, EVEN TO UNEVEN



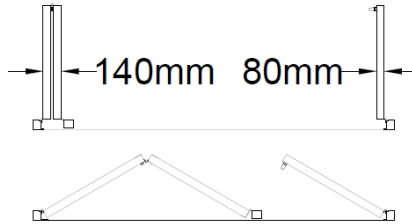
lux bifold door

Stack Depths

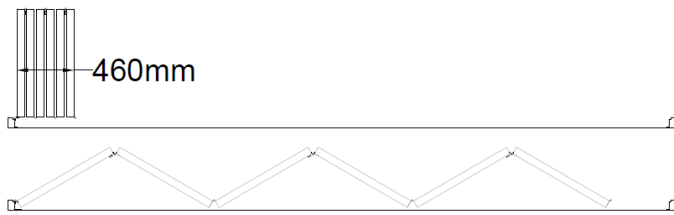
TWO PANE



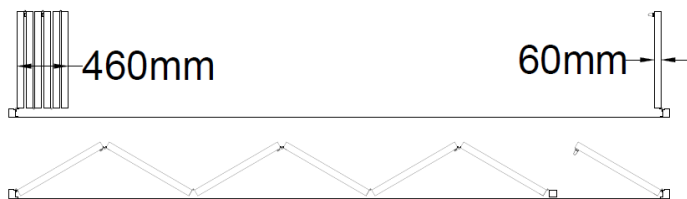
THREE PANE



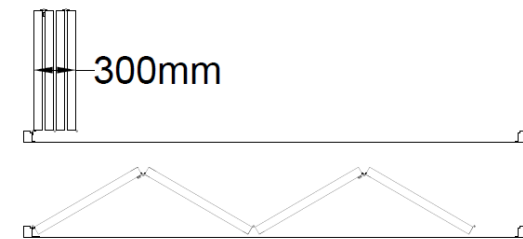
SIX PANE



SEVEN PANE



FOUR PANE



Please note that even bifold stacks cannot be fabricated with a lever locking system.

lux bifold door

Handle Designs

PASS DOOR, LEVER/LEVER HANDLE

The system can also be fabricated with any 30mm backset lock of your choice. Speak to the team for further information.

Stocked in RAL 7016 and Black. Other RAL colours or silver anodised available for additional cost + lead time.



BIFOLD LEAF CATCH

Each bifold pair is locked and unlocked via a unique integrated catch system. This maintains the minimalistic design of the bifold frames and offers an easy solution for opening and closing. Available in RAL 7016 or Black. Additional RAL colours available at an additional cost and leadtime.

How does this lock work?



[View the video here](#)

PULL HANDLE

Between each bifold pair. Stocked in RAL 7016 and Black. Other RAL colours or silver anodised available for additional cost + lead time.

lux bifold door

Other Information

HINGES

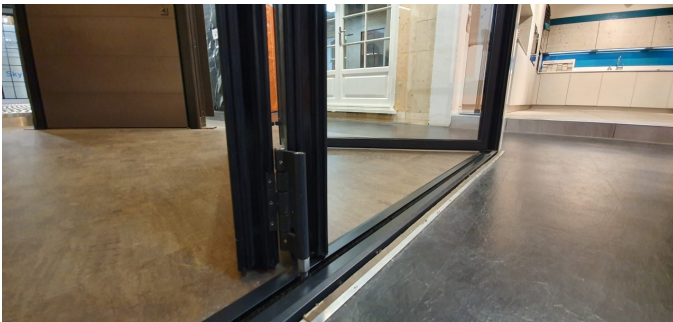
Although the hinges are available in a range of colours we recommend that they be specified as black. Black matches the gasket between each bifold pane and allows the hinge to blend into the profile desing more seamlessly.

Other finishes available include anodised natural, white RAL 9016, PVD colours, any other RAL colour



ROLLERS

Stainless Steel.



APPLIED GLAZING BARS

It is possible to apply glazing bars to the surface of the insulated glass units. This helps create an industrial design. The glazing bars are available in any design required and can be PPC to match the colour of your frames.



lux bifold door

View it at the Showroom

@ THE SKY HOUSE DESIGN CENTRE IN AMERSHAM

Configuration Shown 3 pane bifold door with 1nr pass door
Glass Spec 6mm toughened outer / 20mm argon filled cavity / 6mm toughened inner with low e coating, structurally bonded into slim aluminium profiles.

Glass Thickness 32mm

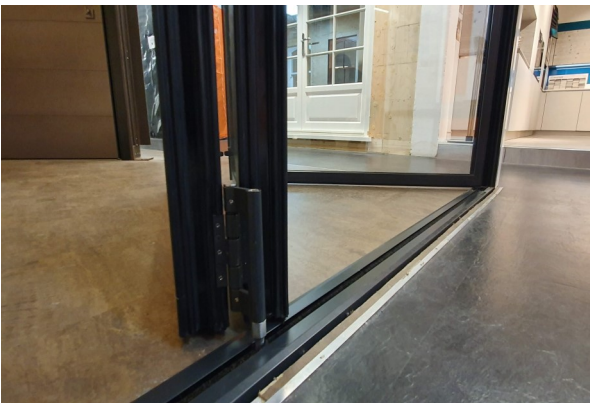
Pass Door Handle Flat lever/lever handle, PPC RAL 7016

D Handle + Bifold Catch PPC RAL 7016

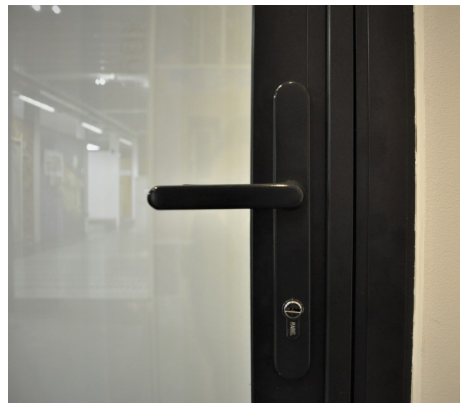
[Book Your Appointment](#)



FLUSH THRESHOLD



PPC HANDLES



lux bifold door

... for bifolds over 5m tall

SIEGER SUPER LUX BIFOLD

The tallest bifolding door on the market.

Based on the same slim profiles of the Lux Bifold, the Super Lux Bifold includes a sliding wind post between each bifolding pane.

This additional framing support allows the bifolding doors to achieve opening heights of 3m to 5m tall, without compromising on performance or design.

QUICK DATA GUIDE

Max Size 5m tall, 1.2m wide per pane
Sightline 144mm overall (across double frame section and sliding wind post).
Thermal Performance Uw values from 1.6 W/m²K.
Weather Protection Air Class 4, Water Class 7A-9A.
Maximum Glass Thickness 32mm



[Find out more here...](#)

lux

bifold door

How to Specify...

The Sieger® Architektursystem is available exclusively from the IQ Group and associated companies.

A Sieger® Systems product will bring high quality European engineering to your project and are the first choice for architects and designers all over the UK.

If you have any questions about how to specify this product for your project just speak to the team who would be happy to assist.

SPEAK TO THE TEAM

If you are considering using a Sieger® product on your project speak to the team at your chosen IQ Group glazing company. They will be able to advise you on the best solution for your intended design, ensure that all specification criteria are met and advise you on any feasibility areas of the installation you may not have considered.

GET A QUOTATION

We advise customers to get a quotation for the installation. This allows all parties to ensure that the preferred product and design is within budget. If it is not we can help you adjust the specification to reach all performance, design and budgetary requirements.

ADD US TO YOUR NBS SPECIFICATION

To assist you in specification we have created individual NBS Specification sheets for each Sieger® Systems product. These easy to navigate documents contain all the vital information needed for specification. They are available for your to complete on your own, alternatively ask your sales representative to complete this on your behalf.

PLACE THE ORDER

When ready, you (or your client or the builder) can then place the order for your products with us. A full in house handover will take place and your project will be passed to the contracts team. The project will be appointed a dedicated contracts manager who will oversee the installation process. The estimated lead time for Sieger® products is 6-8 weeks but your overall glazing lead time may be different depending on the other glazing products on your project and their lead times. Please also allow 20 working days if your project requires full glazing design drawings. This will be confirmed on order.

WHERE CAN I SEE SIEGER PRODUCTS?

The Sieger® Systems range is available to view at the Sky House Design Centre. Just contact your sales representative who will be happy to book you an appointment.

lux bifold door

ultra tall bifold doors

EUROPEAN DESIGN

The Sieger® Architektursystem has been designed to the highest European standards to ensure a highly engineered finish with the best performance.

Each aluminium framing profile is selected and engineered to offer a minimal and modern finish, whilst maintaining robust performance and quality standards.

The technologically advanced thermal break system offers projects unparalleled levels of thermal insulation in keeping with modern European design.

BRITISH MANUFACTURING

Every Sieger® Architektursystem product is manufactured and fabricated bespoke to each project specification. Our state of the art fabrication site offers the latest technology in modern aluminium fabrication, ensuring Sieger® Systems can offer efficient lead times and exceptional quality.

MORE INFORMATION

For more information please contact the team who will be happy to help.

www.siegersystems.co.uk



reddot design award
winner 2019

Visit our YouTube channel for more

