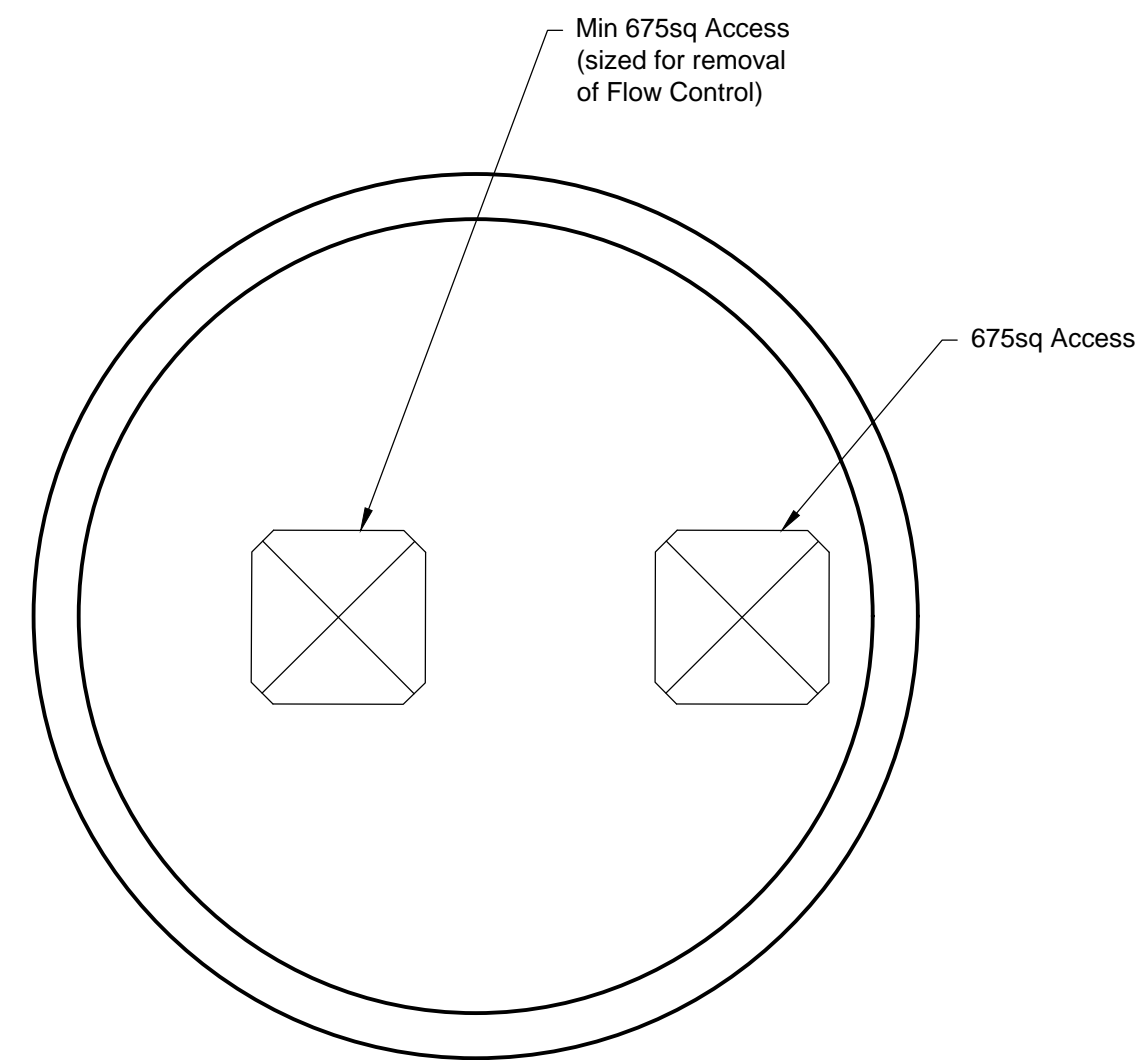
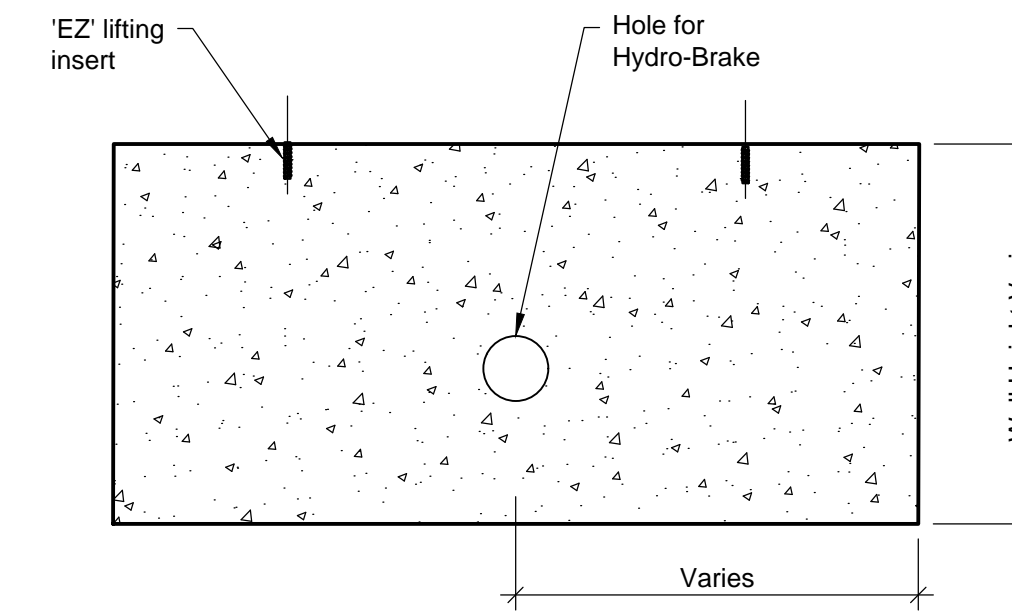


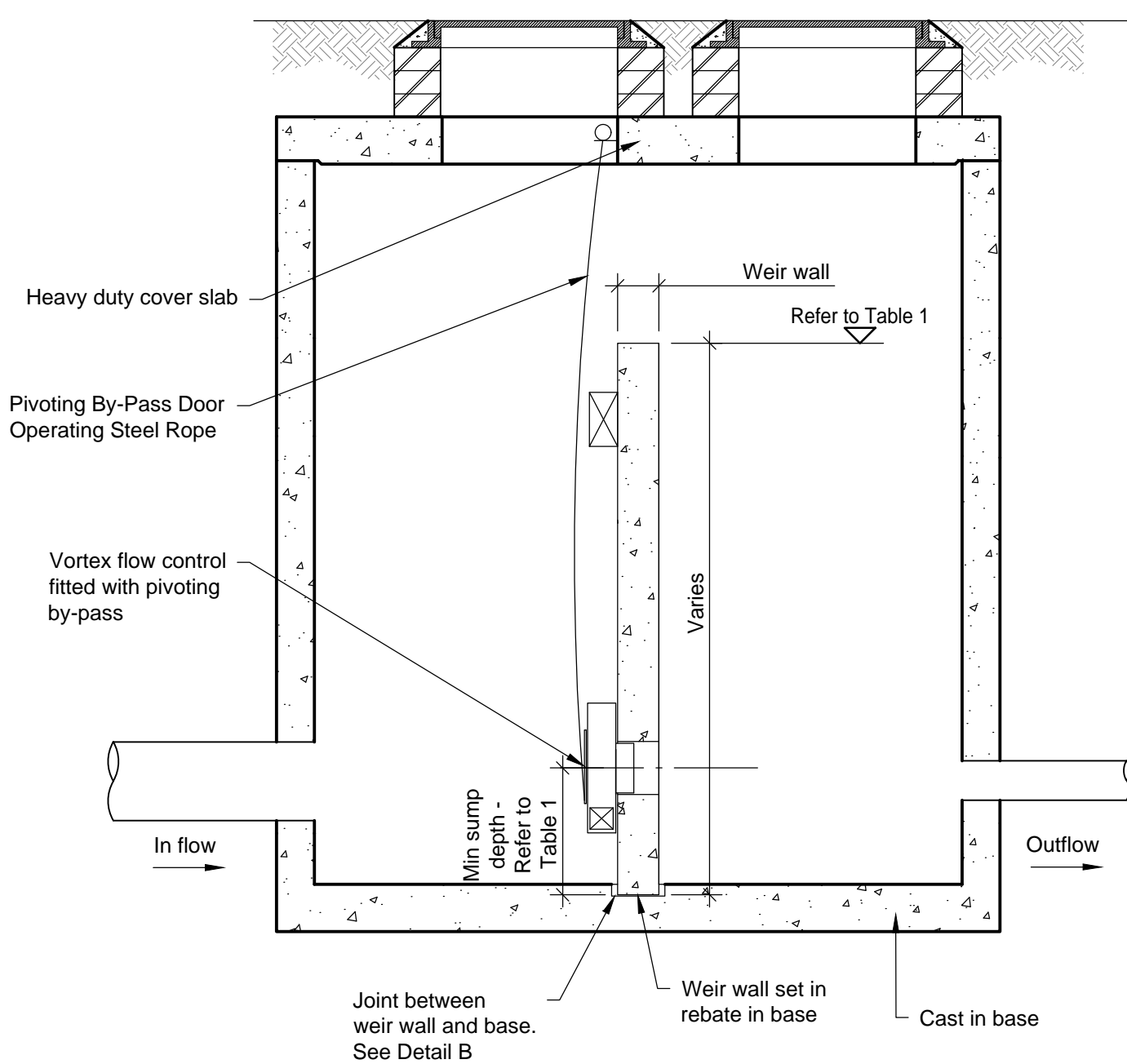
SECTION A-A



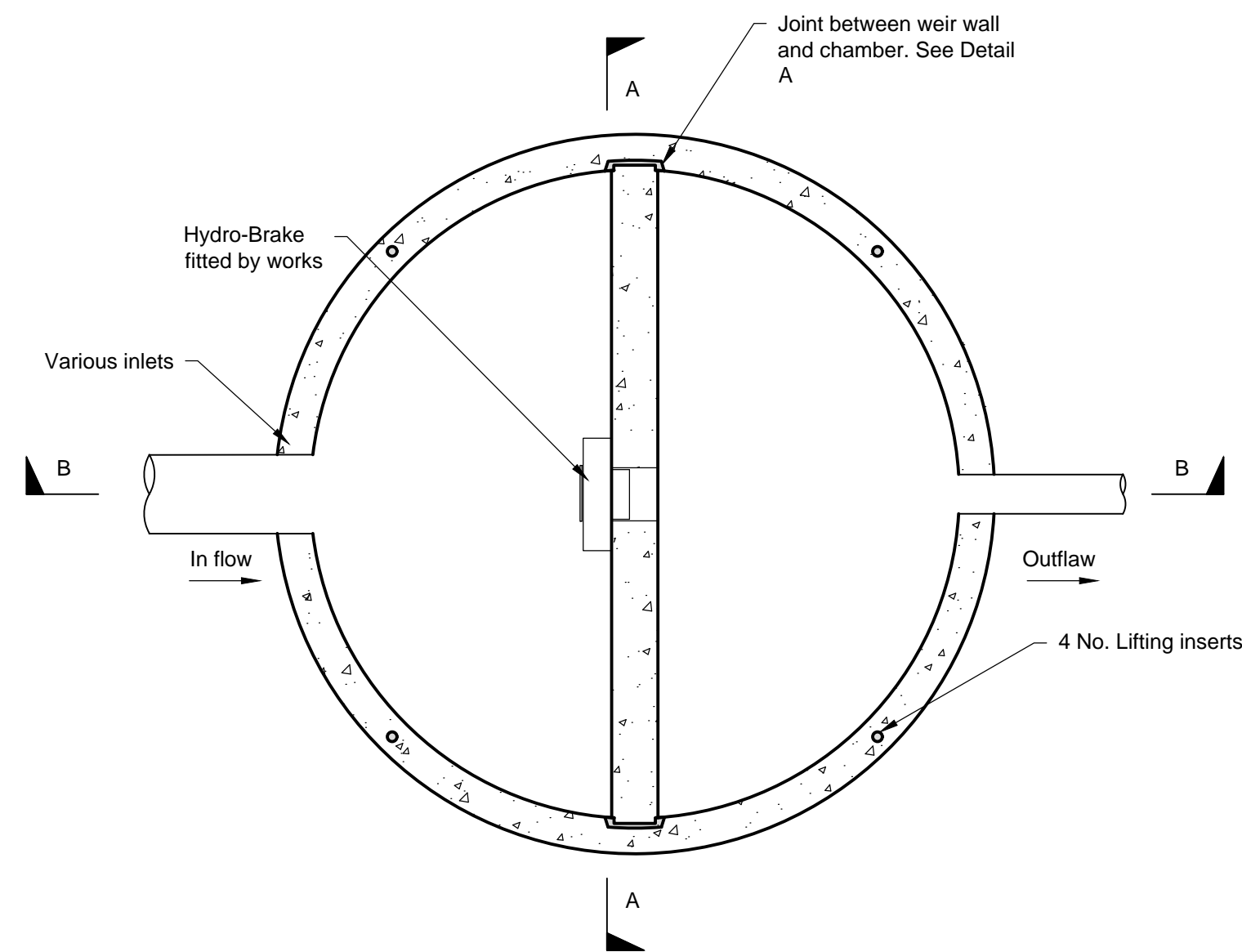
COVER SLAB PLAN



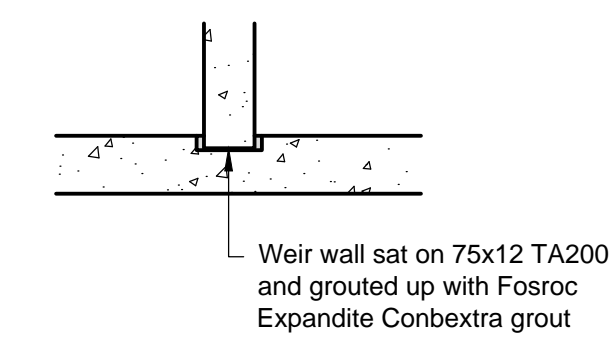
ELEVATION ON WEIR WALL



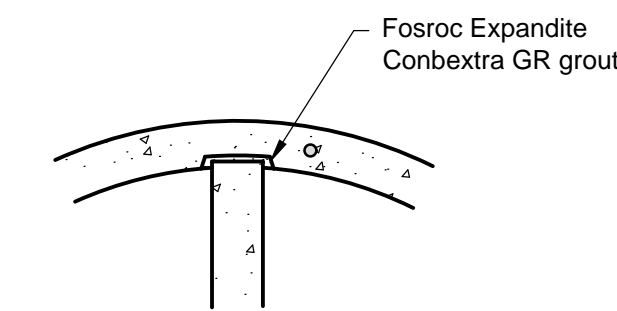
SECTION B-B



CHAMBER PLAN



DETAIL B



DETAIL A

Notes:
Benching to be completed on site by contractor.

VORTEX FLOW CONTROL WEIR WALL CHAMBER

TABLE 1

Flow Control Chamber No.	Flow Control Product Reference	Flow Rate (l/s)	Head (m)	Min. Sump Depth (mm)	Weir Wall Soffit Level (m)	Manhole Diameter (mm)
SAFC	MD-SHE-0071-2100-0865-2100	2.1	0.865	305	47.85	1500
SBFC	MD-SHE-0064-2100-1400-2100	2.1	1.400	300	49.72	1500
SCFC	MD-SHE-0073-2300-0965-2300	2.3	0.965	315	47.77	1500

- NOTES :**
- This drawing is to be read in conjunction with all relevant Architect's, Engineer's and specialists' drawings and specifications.
 - Do not scale from this drawing in either paper or digital form. Use written dimensions only. To check that this drawing has been printed to the intended scale this bar should be 50mm long @ A1 or 25mm long @ A3.
 - Health & Safety :**
All specific drawing notes are to be read in conjunction with the project "Information Pack" and "Site Rules".
 - For general notes refer to Drawing No. 29100 / 0002.

Rev	Date	Drawn	Eng	Amendment
P01	20.10.21	TP	KB	Issued for Stage 3

LIDDELL ROAD - PHASE 2
BELOW GROUND DRAINAGE DETAILS SHEET 7

Status
STAGE 3 ISSUE
NOT FOR CONSTRUCTION

Drawn AH Eng KB

Scales 1:20 at A1 1:40 at A3

Drawing No 29100 / 6107 Rev P01

Doc Ref. 29100-PAM-ZZ-XX-DR-C-6106