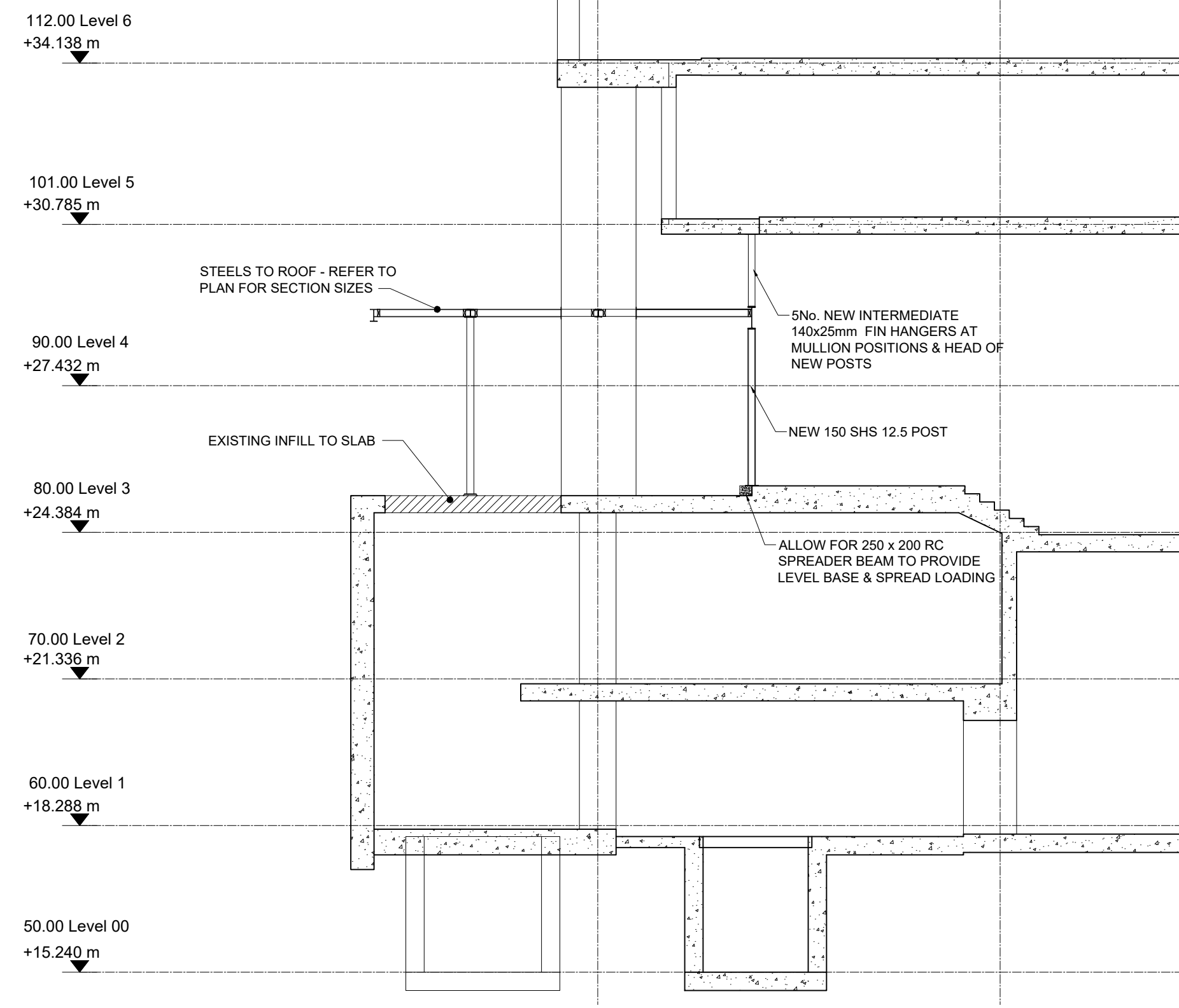
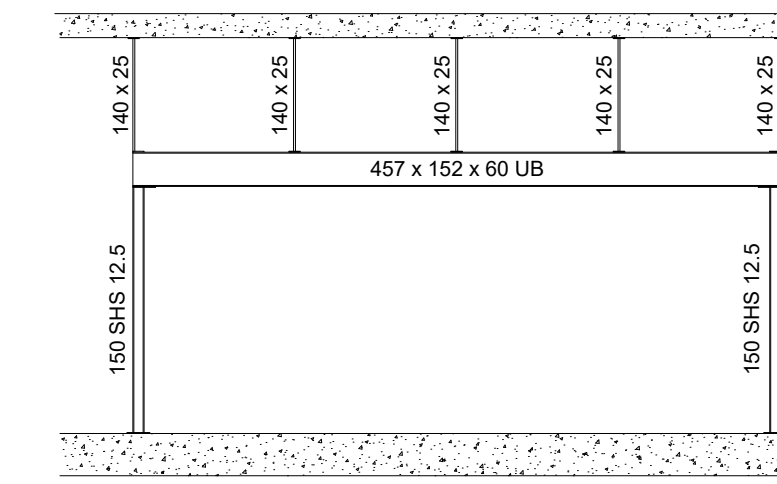


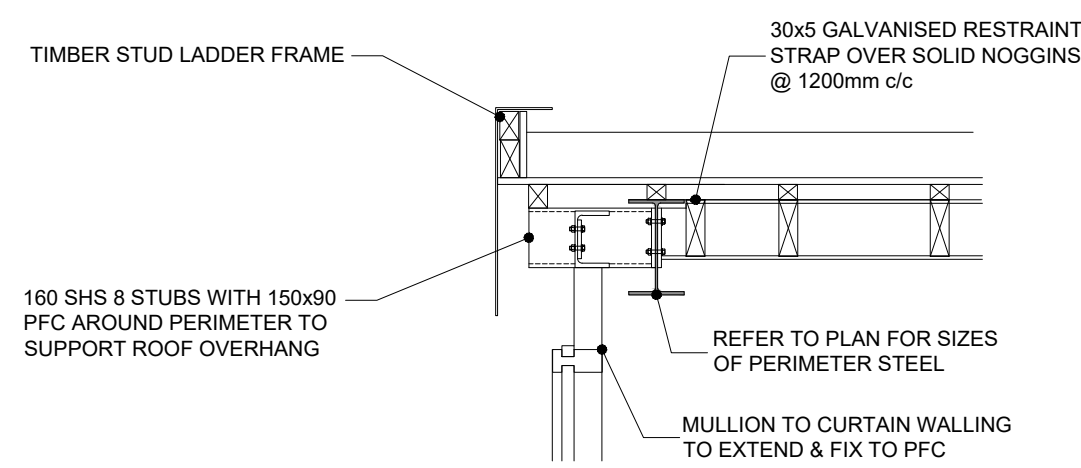
LEVEL 3 ENTRANCE AREA
(SCALE 1:100)



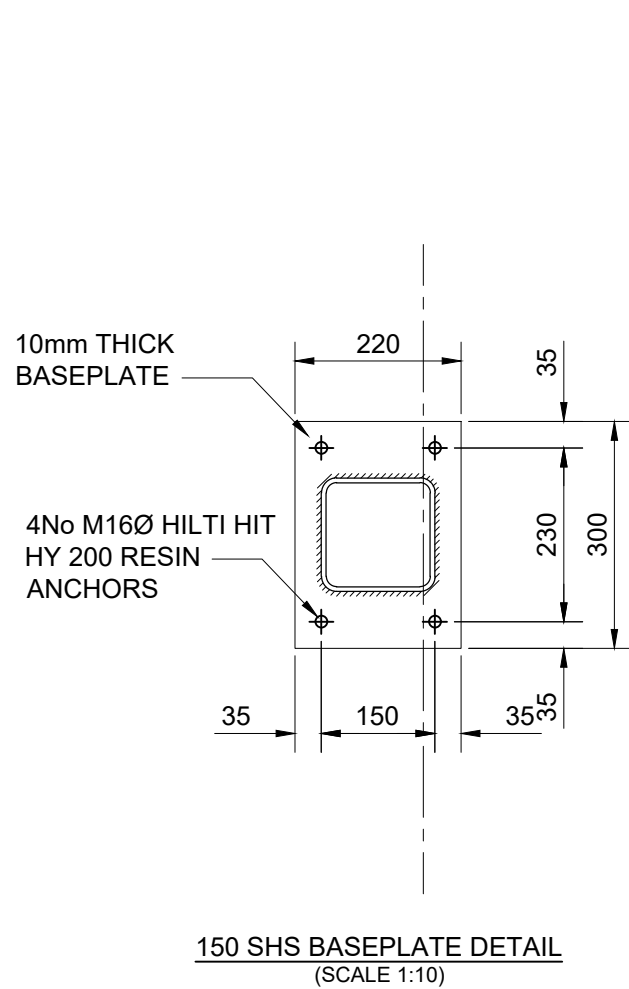
LEVEL 3 ENTRANCE AREA SECTION
(SCALE 1:100)



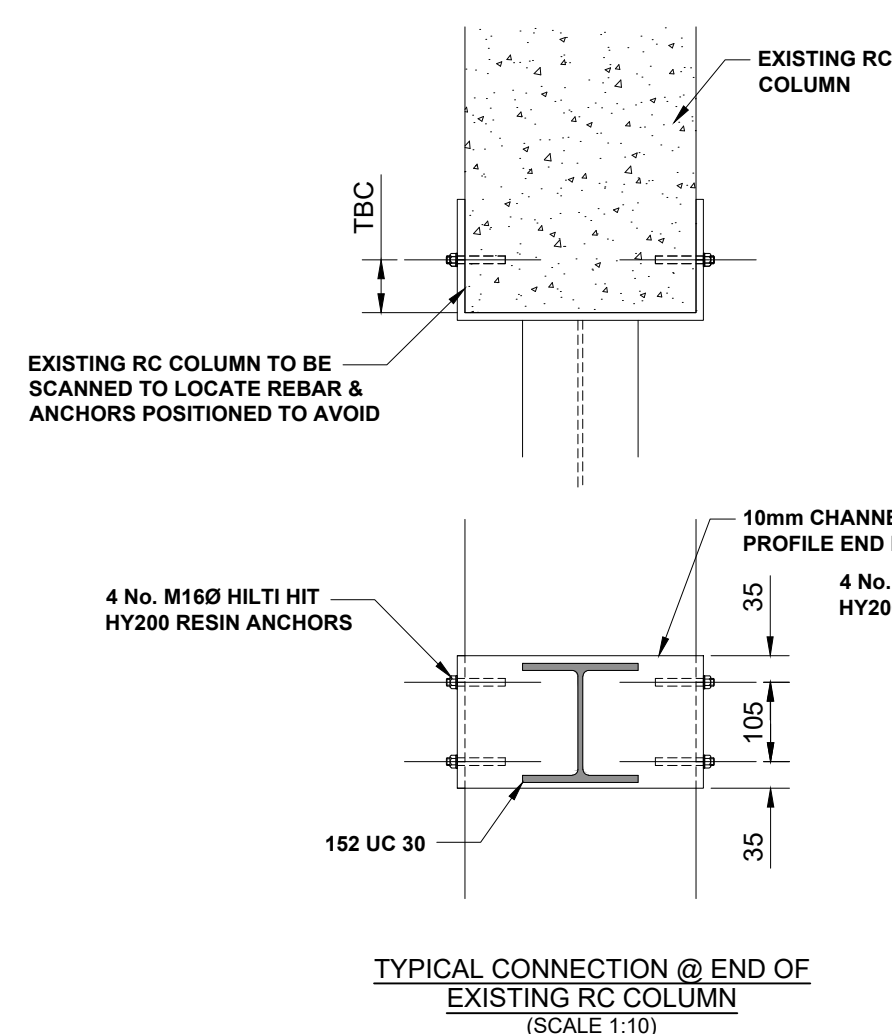
OUTLINE ELEVATION ON BEAM B3
(SCALE 1:100)



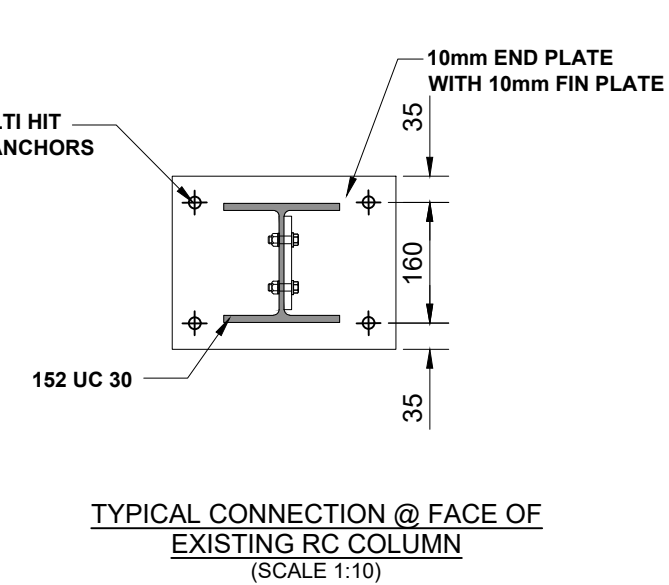
TYPICAL SECONDARY STEELWORK TO EDGE STEELS (S1 DETAIL)
(SCALE 1:20)



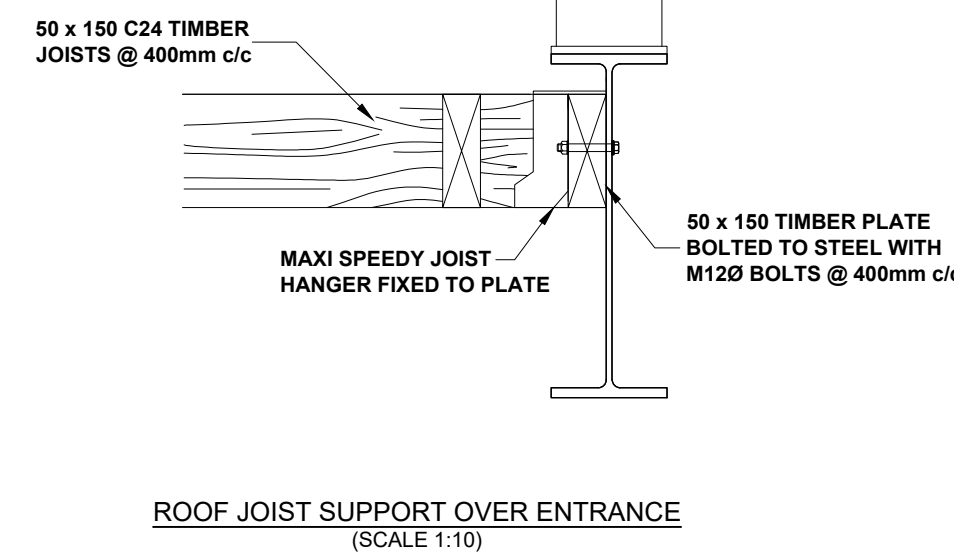
150 SHS BASEPLATE DETAIL
(SCALE 1:10)



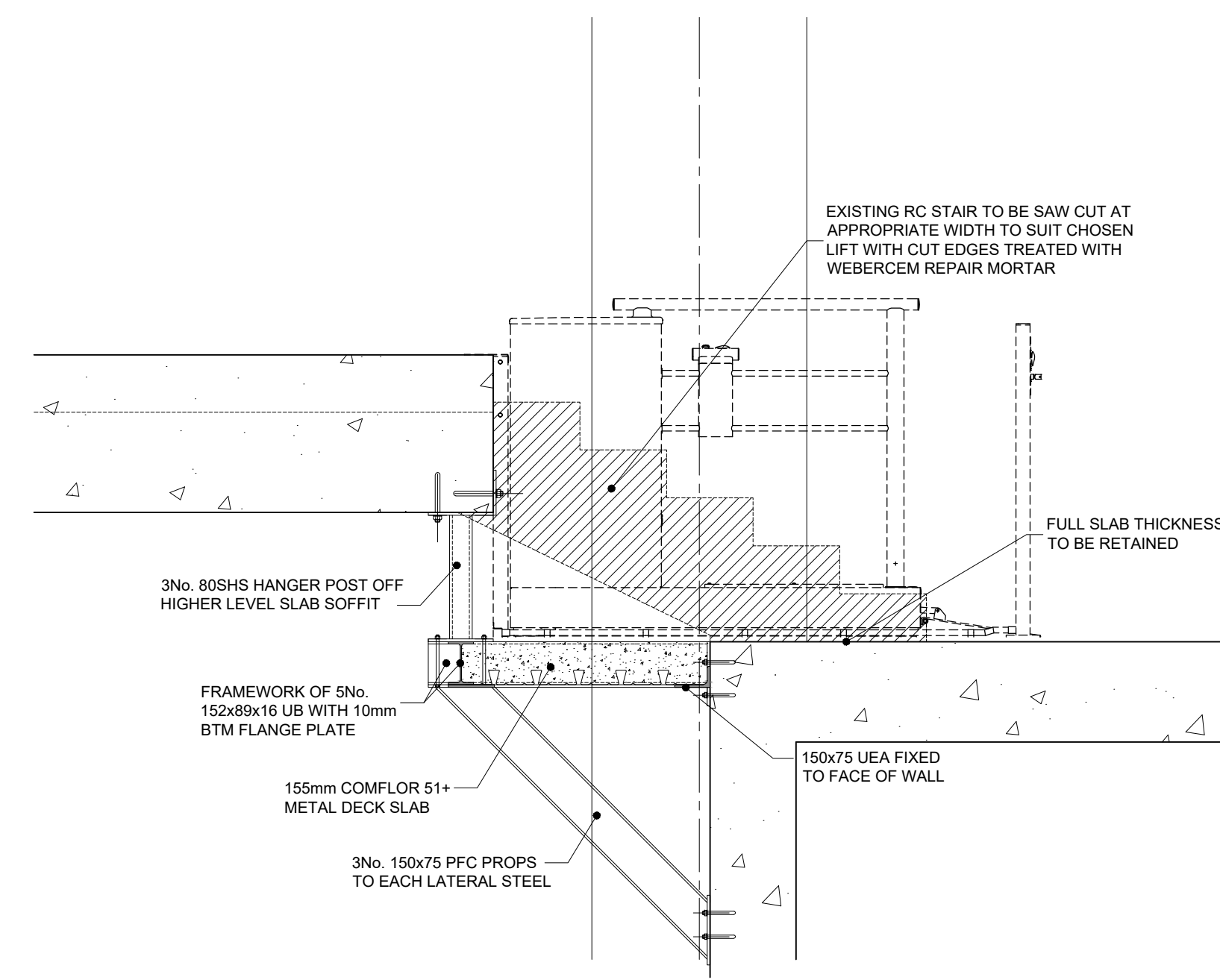
TYPICAL CONNECTION @ END OF EXISTING RC COLUMN
(SCALE 1:10)



TYPICAL CONNECTION @ FACE OF EXISTING RC COLUMN
(SCALE 1:10)



ROOF JOIST SUPPORT OVER ENTRANCE
(SCALE 1:10)



DETAIL A - SUPPORT TO NEW LIFT
(SCALE 1:20)

- DIMENSIONS ARE NOT TO BE SCALED FROM THIS DRAWING
- ALL DIMENSIONS ARE TO BE CHECKED ON SITE PRIOR TO COMMENCEMENT OF ANY WORKS
- ANY DISCREPANCIES REPORTED IMMEDIATELY TO THE ENGINEER
- THIS DRAWING IS TO BE READ IN CONJUNCTION WITH ALL DESIGN TEAM DETAILS & SPECIFICATIONS
- FIRE PROTECTION SPECIFICATION TO STRUCTURAL ELEMENTS TO ARCHITECT DETAIL & BUILDING CONTROL APPROVAL
- ALL STRUCTURAL WORKS TO BE COMPLETED TO THE APPROVAL OF BUILDING CONTROL
- ALL TEMPORARY WORKS AND STABILITY OF THE BUILDING AND NEIGHBORING BUILDINGS TO BE THE RESPONSIBILITY OF THE CONTRACTOR FOR THE DURATION OF THE CONSTRUCTION PERIOD
- METHOD STATEMENTS AND SEQUENCE OF WORKS MAY BE REQUIRED BEFORE WORK COMMENCES

REV	BY	CHKD	DATE	NOTES
P4	GT	GT	16.12.21	ISSUED FOR PLANNING APPLICATION 2C
P3	GT	GT	27.08.21	PLATFORM LIFT LOCATION & DETAIL UPDATED ISSUED FOR COMMENT
P2	GT	GT	10.03.21	PLATFORM LIFT DETAILS ADDED ISSUED FOR COMMENT
P1	GT	GT	15.01.21	4 POST ENTRANCE PAVILION ISSUED FOR COMMENT

REV	BY	CHKD	DATE	NOTES

BY:	GT	DRAWING TITLE: LEVEL 3 ENTRANCE PAVILION + NEW PLATFORM LIFT	CLIENT: OVERBURY
CHKD:	GT		
SCALE @ A1: AS SHOWN	DRAWING NO: 20094 / GA / 001		PROJECT: UCL INSTITUTE OF EDUCATION PHASE 2
DATE: JAN 21	DRAWING STATUS: PLANNING	REV: P4	

TAK
STRUCTURES

SUITE 1, 10 KENNINGTON PARK PLACE LONDON SE11 4AS
www.takstructures.co.uk
T: 020 4530 8000