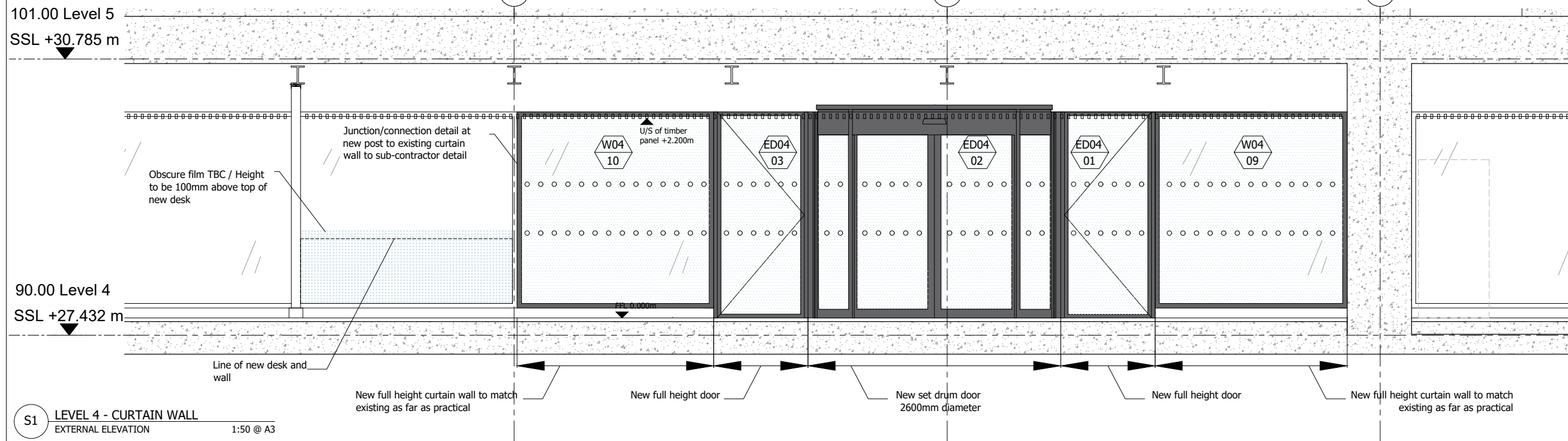
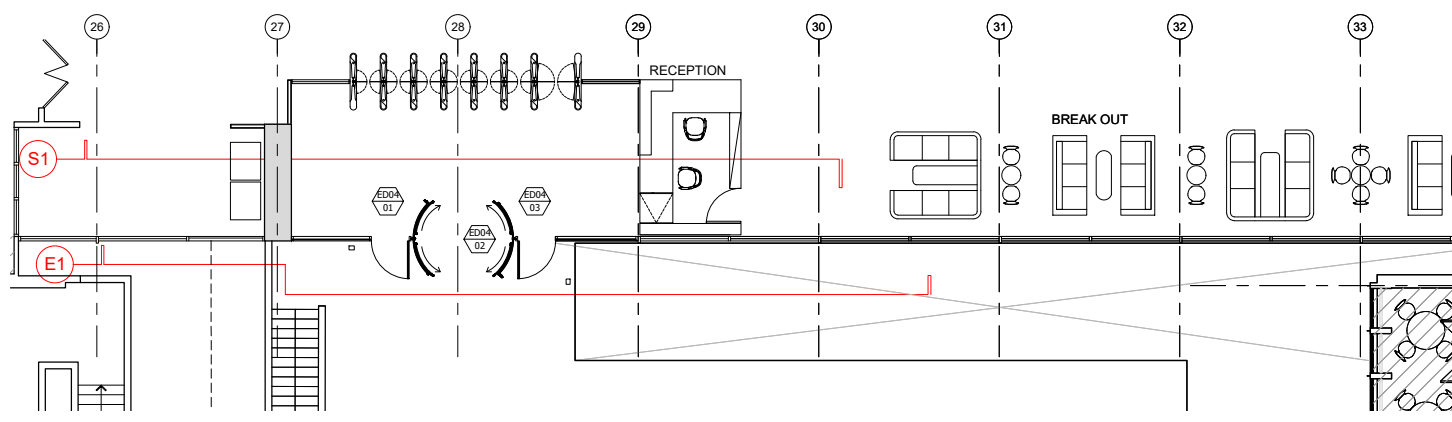


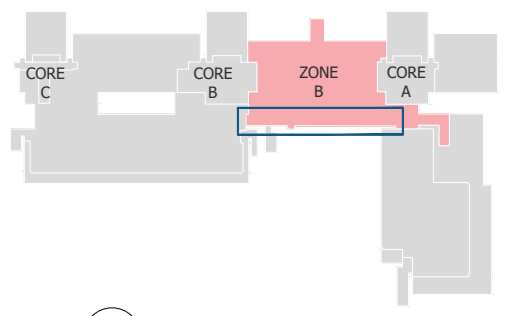
E1 LEVEL 4 - CURTAIN WALL
EXTERNAL ELEVATION
1:50 @ A3



S1 LEVEL 4 - CURTAIN WALL
EXTERNAL ELEVATION
1:50 @ A3



2 LEVEL 4 - KEY PLAN
FOR REFERENCE
NTS



1 LEVEL 4 - KEY PLAN
FOR REFERENCE
NTS



© Architon LLP 2014
This drawing is the property of Architon LLP and must not be divulged to anyone, copied or reproduced, or used for marketing, advertising or promotional purposes without the express written permission of Architon LLP.
All dimensions are to be checked on site and not scaled from this drawing. Contractors must verify all dimensions on site before setting out, commencing work or preparing shop drawings. Any discrepancies on this drawing with other contract documentation to be reported immediately for clarification.

ENSURE NO STRIP OUT, DEMOLITION OR BUILDING WORKS ARE UNDERTAKEN WITHOUT THE REQUIRED LISTED BUILDING AND PLANNING CONSENTS FROM THE LOCAL AUTHORITY AND ENGLISH HERITAGE.

DRAWINGS ARE BASED ON INFORMATION PROVIDED BY ICL.
DRAWINGS TO BE READ IN CONJUNCTION WITH:-
• ARCHITECTURAL DRAWINGS, SCHEDULES AND SPECIFICATIONS.
• STRUCTURAL DRAWINGS AND SPECIFICATIONS.
• M&E DRAWINGS AND SPECIFICATIONS.
• ACOUSTIC REPORTS.
• FIRE STRATEGY.

ALL WORKS TO BE FULLY CO-ORDINATED WITH MEP / STRUCTURAL PROPOSALS, AS APPROPRIATE.

ALL SETTING-OUT INFORMATION TO BE CHECKED AGAINST SITE DIMENSIONS

ALL WORKS TO BE IN ACCORDANCE WITH ALL STATUTORY REQUIREMENTS. WHERE AMENDED PROPOSALS DIFFER FROM THOSE APPROVED BY LA, NEW APPROVALS TO BE OBTAINED PRIOR TO COMMENCING WORKS.

FIRE RATED COMPONENTS TO BE IN ACCORDANCE WITH OVER-ARCHING FIRE STRATEGY FOR THE JOB.

ACOUSTIC RATED COMPONENTS TO BE IN ACCORDANCE WITH ACOUSTIC STRATEGY - PREPARED BY B.H.

- NEW EXTERNAL DOOR
- NEW EXTERNAL WINDOW
- INDICATIVE MANIFESTATION TO COMPLY WITH BUILDING REGULATION PART K. FINAL DESIGN TO BE DEVELOPED WITH STAGE SIGNAGE PACKAGE, WHICH WILL COME FORWARD AT A LATER DATE.

PLANNING ISSUE

Rev	Description	Date
P4	FINAL PLANNING ISSUE	16/04/21
P3	ISSUED FOR FINAL COMMENTS	01/02/21
P2	COMMENTS INCORPORATED	23/12/20
P1	ISSUED FOR COMMENTS	11/12/20



Job title
University College London
Institute of Education
Phase 2
20 Bedford Way, WC1H 0AL

Drawing title
Level 4 - Zone B
Curtain Wall Elevations
Planning Application 2C

Scale	Date	Drawn
1:50 @ A3	May 20	CM

ARCHITON LLP
CHARTERED ARCHITECTS · DESIGN · PLANNING CONSULTANTS · DEVELOPMENT · BUILDING COST MANAGEMENT
REGENCY HOUSE 17 WEST STREET EPSOM KT18 7RL
TEL: 01372 745600 FAX: 01372 745016 Email: info@architon.com

Drawing No
3147-P3-2421 P4
ARCHITON LLP certified to:
BS EN ISO 9001
BS EN ISO 14001
IIP Accreditation