

This drawing is the property of Architon LLP and must not be divulged to anyone, copied or reproduced, or used for marketing, advertising or promotional purposes without the express written permission of Architon LLP.

All dimensions are to be checked on site and not scaled from this drawing. Contractors must verify all dimensions on site before setting out, commencing work or preparing shop drawings. Any discrepancies on this drawing with other contract documentation to be reported immediately for clarification.

ENSURE NO STRIP OUT, DEMOLITION OR BUILDING WORKS ARE UNDERTAKEN WITHOUT THE REQUIRED LISTED BUILDING AND PLANNING CONSENTS FROM THE LOCAL AUTHORITY AND ENGLISH HERITAGE.

DRAWINGS ARE BASED ON INFORMATION PROVIDED BY UCL.

- ARCHITECTURAL DRAWINGS, SCHEDULES AND SPECIFICATIONS.
- STRUCTURAL DRAWINGS AND SPECIFICATIONS.
- M&E DRAWINGS AND SPECIFICATIONS.
- ACOUSTIC REPORTS.
- FIRE STRATEGY.

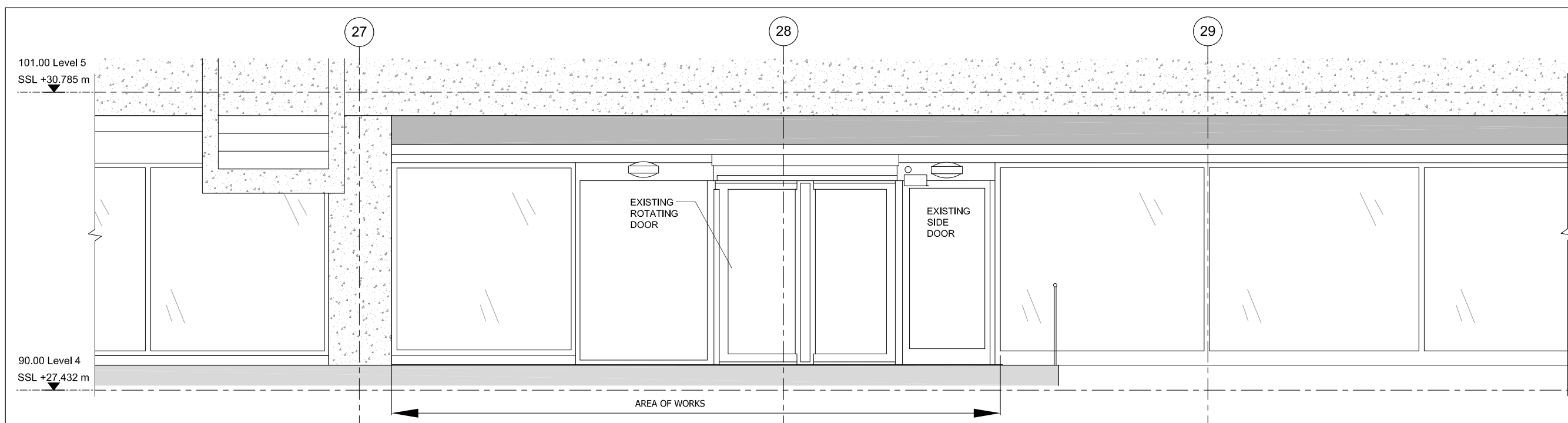
ALL WORKS TO BE FULLY CO-ORDINATED WITH MEP / STRUCTURAL PROPOSALS, AS APPROPRIATE.

ALL SETTING-OUT INFORMATION TO BE CHECKED AGAINST SITE DIMENSIONS

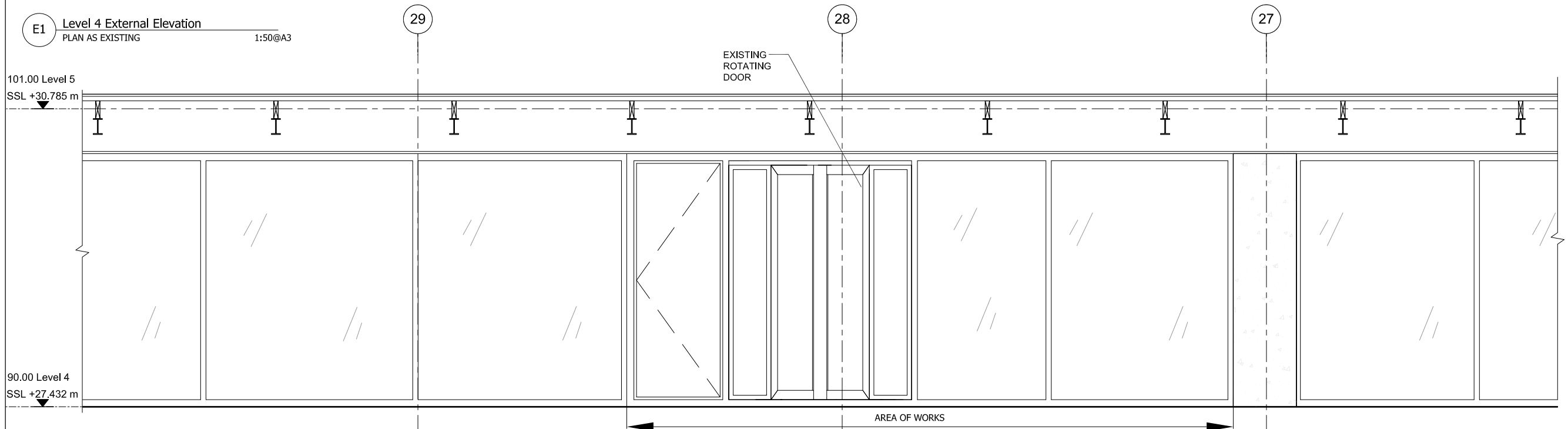
ALL WORKS TO BE IN ACCORDANCE WITH ALL STATUTORY REQUIREMENTS, WHERE AMENDED PROPOSALS DIFFER FROM THOSE APPROVED BY LA, NEW APPROVALS TO BE OBTAINED PRIOR TO COMMENCING WORKS.

FIRE RATED COMPONENTS TO BE IN ACCORDANCE WITH OVER-ARCHING FIRE STRATEGY FOR THE IOE.

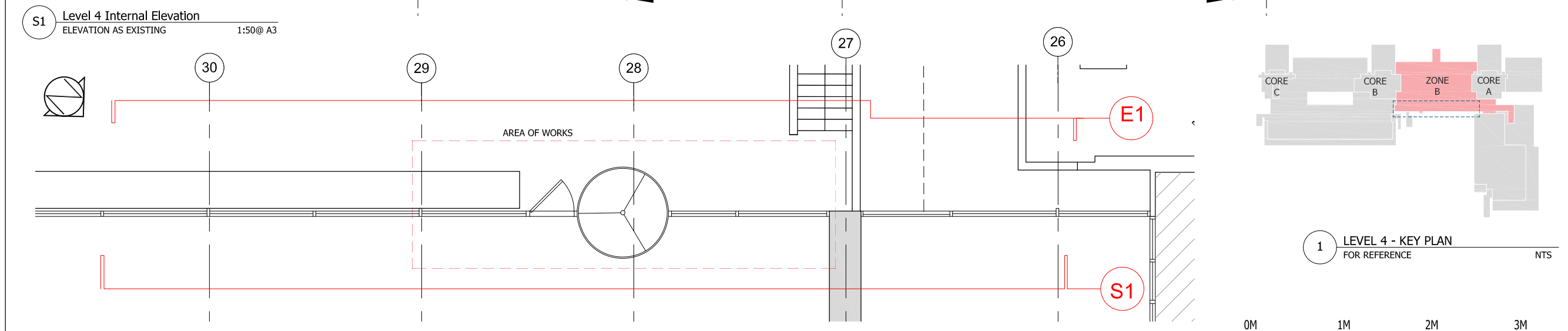
ACOUSTIC RATED COMPONENTS TO BE IN ACCORDANCE WITH ACOUSTIC STRATEGY - PREPARED BY B.H.



E1 Level 4 External Elevation
PLAN AS EXISTING 1:50@A3



S1 Level 4 Internal Elevation
ELEVATION AS EXISTING 1:50@ A3



2 Level 4 Entrance Area
PLAN AS EXISTING NTS

PLANNING ISSUE

P5	FINAL PLANNING ISSUE	07.05.21
P4	PLANNING ISSUE	16/04/21
P3	ISSUED FOR FINAL COMMENTS	01/02/21
P2	COMMENTS INCORPORATED	23/12/20
P1	ISSUED FOR COMMENTS	11/12/20
Rev	Description	Date



Client
 Job title
 University College London
 Institute of Education
 Phase 2
 20 Bedford Way, WC1H 0AL

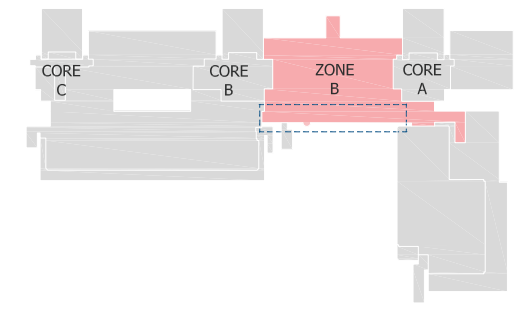
Drawing title
 Elevation Level 4
 Curtain wall - As Existing
 Planning Application 2C

Scale	Date	Drawn
1:50 @A3	DEC 20	IL

ARCHITON LLP
 CHARTERED ARCHITECTS - DESIGN .
 PLANNING CONSULTANTS - DEVELOPMENT .
 BUILDING COST MANAGEMENT

REGENCY HOUSE 17 WEST STREET EPSOM KT18 7RL
 TEL:01372 745600 FAX:01372 745016
 Email:info@architon.com

Drawing No	ARCHITON LLP certified to:
3147-P3-2420 P5	BS EN ISO 9001 BS EN ISO 14001 IIP Accreditation



1 LEVEL 4 - KEY PLAN FOR REFERENCE NTS

