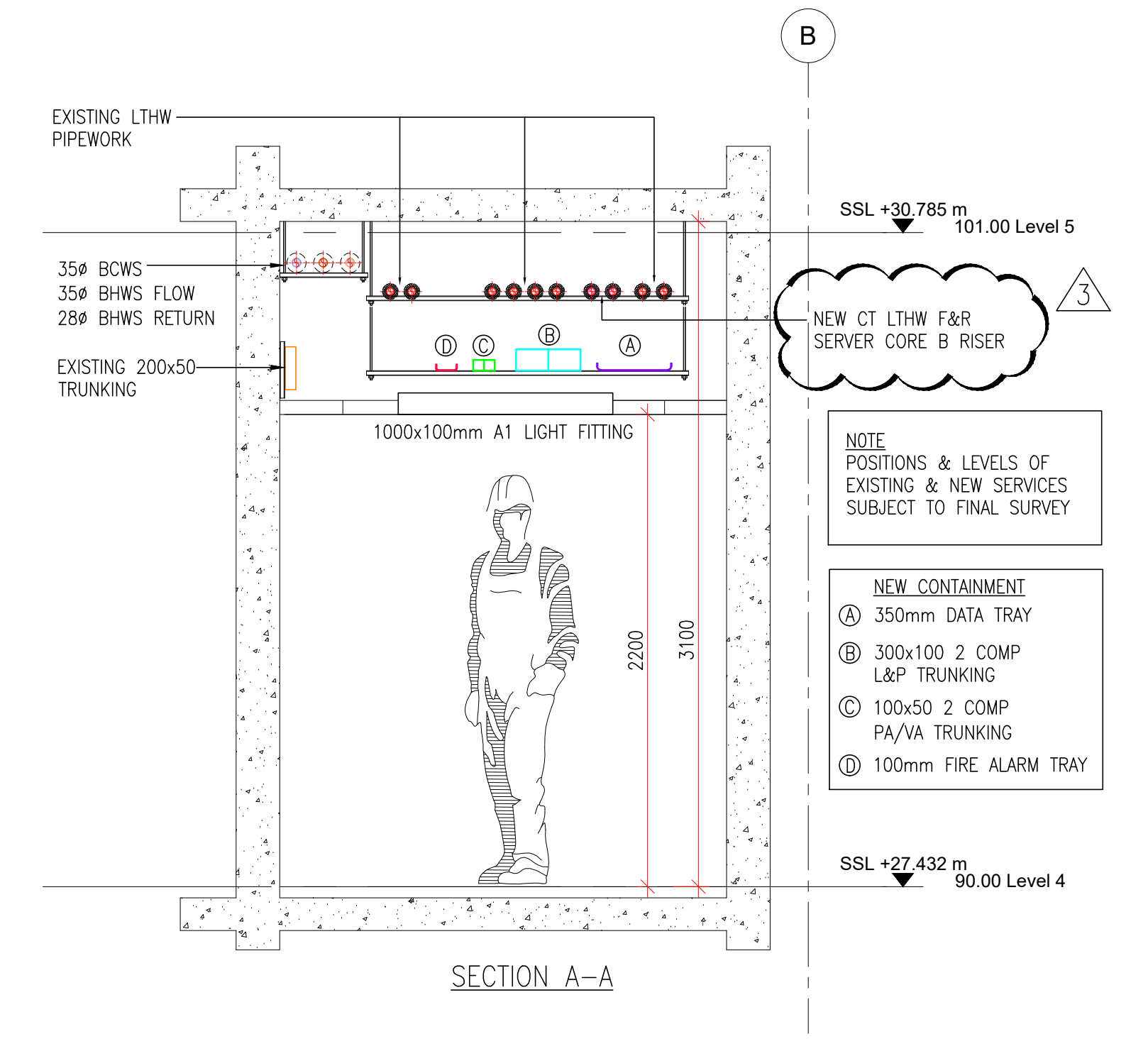
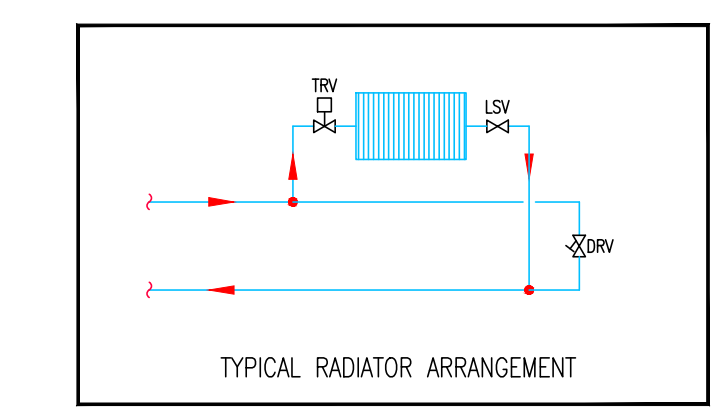
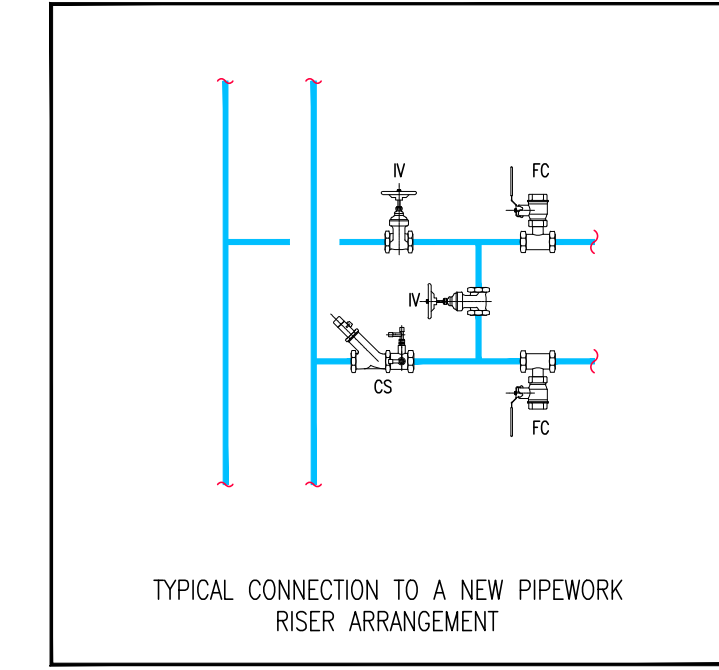
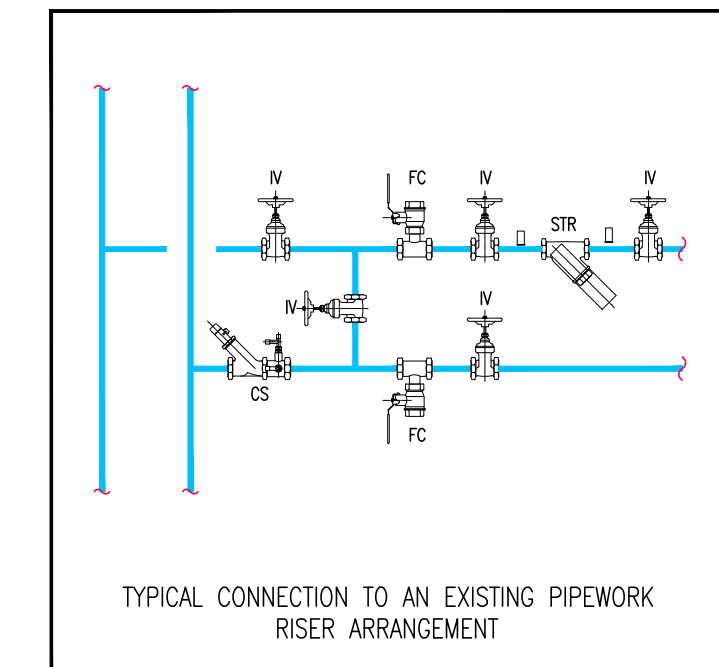


- NOTES:**
- DO NOT SCALE FROM THIS DRAWING
  - THIS DRAWING SHALL BE READ IN CONJUNCTION WITH ALL OTHER DRAWINGS AND DOCUMENTS PREPARED BY LONG & PARTNERS
  - THIS DRAWING IS TO DEPICT THE DESIGN INTENT FOR THE SCHEME. THE CONTRACTOR SHALL PRODUCE DETAILED CONSTRUCTION WORKING DRAWINGS.
  - FINAL POSITIONS OF LTHW PIPEWORK F/A/T/C FOLLOWING VALIDATION SURVEY OF CORE C RISER
  - FCU CONDENSATE PIPEWORK TO ROUTE TO WC STACK DROPPING FROM LEVEL 3. LOCATION OF EXISTING STACK TO BE DETERMINED PRIOR TO INSTALL
  - SUFFICIENT DISTANCE TO BE ALLOWED FOR INSTALLATION AND MAINTENANCE OF FCU NO MORE THAN 200mm FROM FROM CONTROLS AND VALVES TO EDGE OF RISE
  - FIRE COLLARS TO BE ADDED TO ALL PIPEWORK PASSING THROUGH A FIRE WALL
  - CEILING ACCESS PANELS TO BE ALLOWED FOR VALVE SETS & CONDENSATE LIFT PUMPS

**LEGEND**

FCU	FAN COIL UNIT
CTA	CROSS TALK ATTENUATOR
AHU	AIR HANDLING UNIT
VS	VALVE SET
IV	ISOLATION VALVE
RE	RODDING EYE
Wp	WATER
CW	CHILLED WATER
CT	CT HEATING
VT	VT HEATING



**NEW CONTAINMENT**

- (A) 350mm DATA TRAY
- (B) 300x100 2 COMP L&P TRUNKING
- (C) 100x50 2 COMP PA/VA TRUNKING
- (D) 100mm FIRE ALARM TRAY

**STAGE 4**

Rev	Date	Description	Drawn
3	30.06.20	STAGE 4 FINAL ISSUE INCORPORATING COMMENTS	CAD
2	26.05.20	COMMENTS INCORPORATED	CAD
1	03.04.20	STAGE 4 ISSUE	CAD
0	28.02.20	STAGE 4 DRAFT ISSUE	CAD

Based on architects drawing  
XR-04-DR-A-2405

<b>Project</b> UCL IOE, 20 BEDFORD WAY PHASE 2			
<b>Title</b> LEVEL 4 CORE B LTHW & CHW LAYOUT			
<b>Scale</b> 1:500AD	<b>Designed By</b> NH	<b>Checked by</b> NLB	<b>Date</b> FEB'20