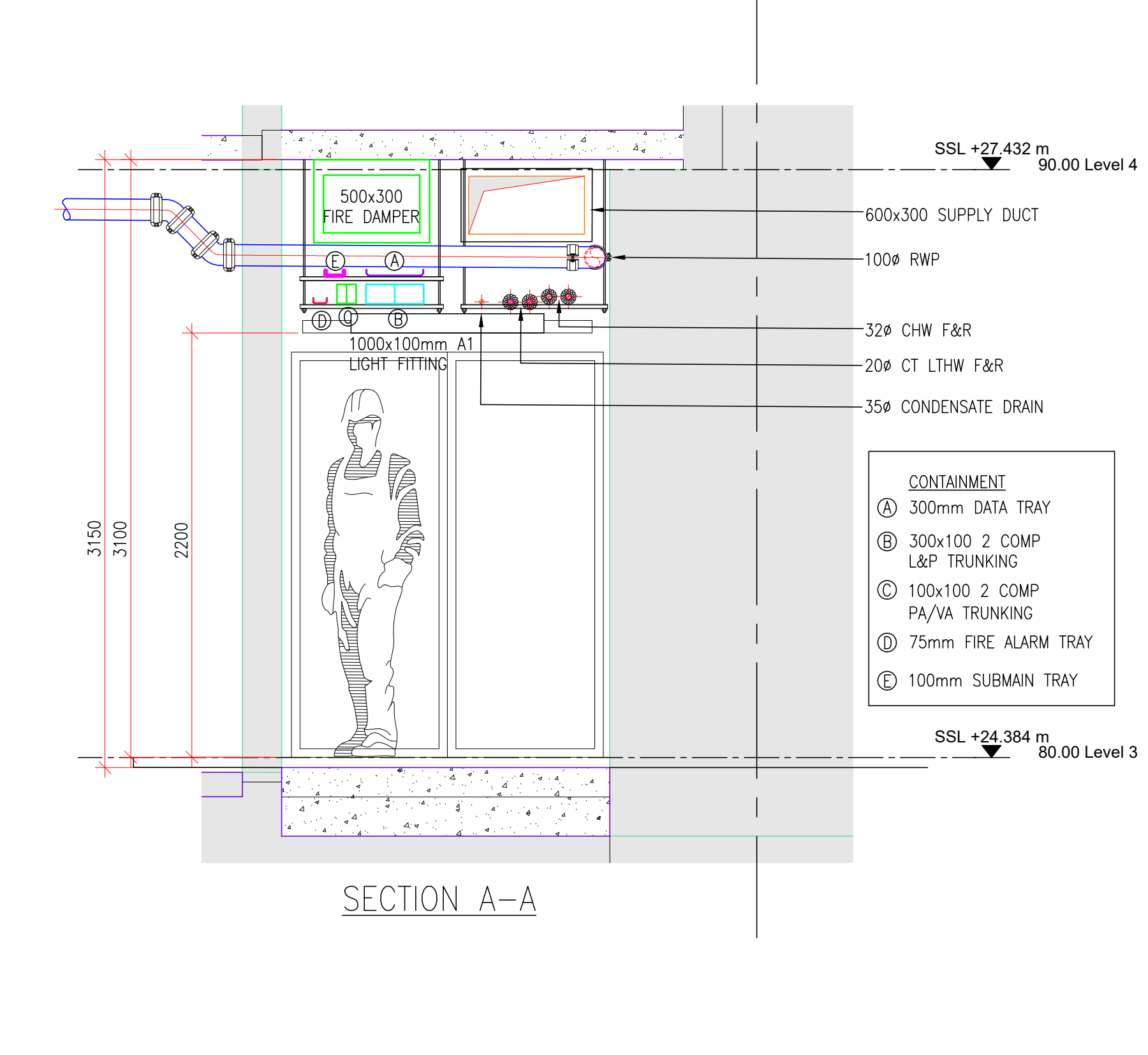
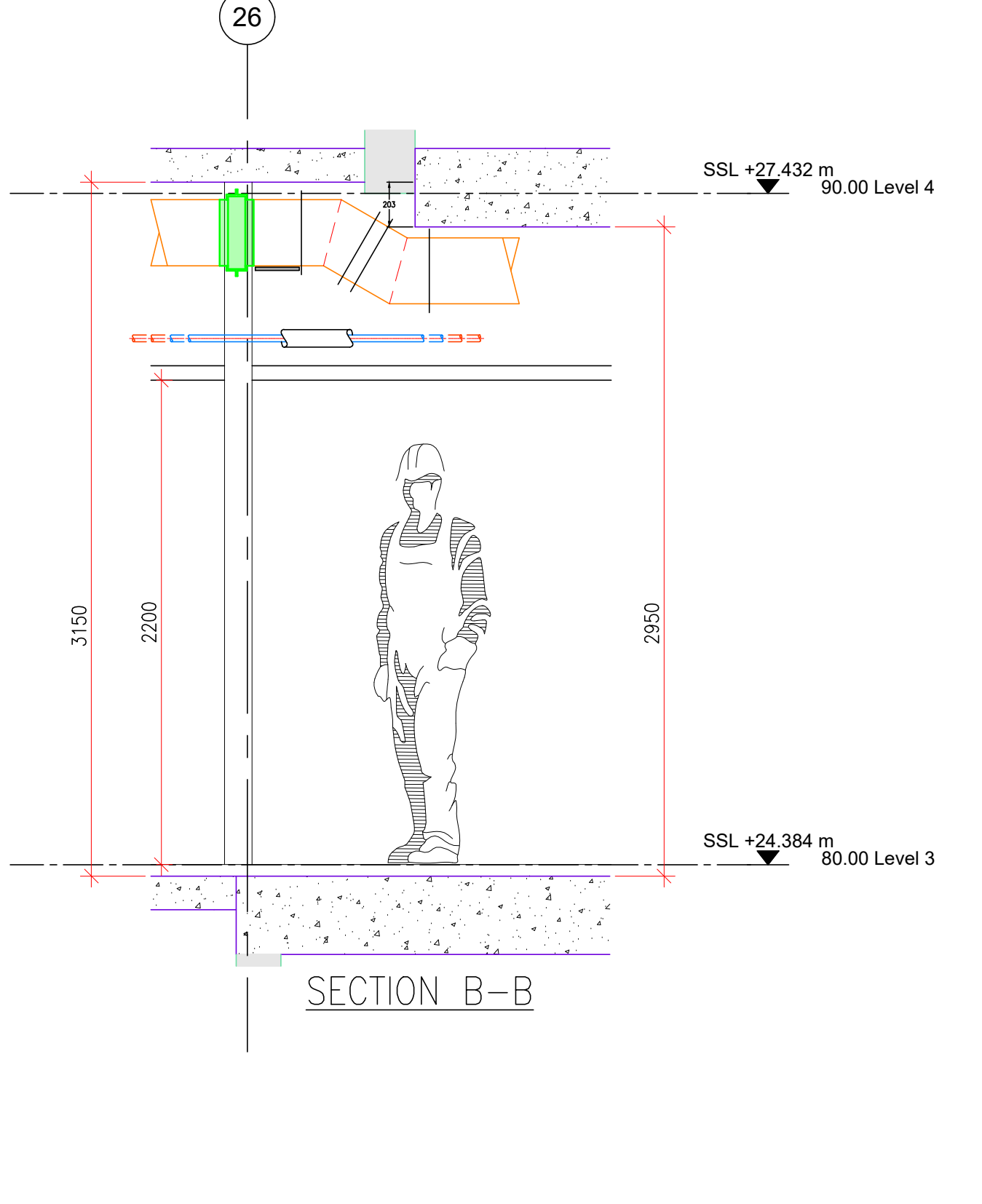
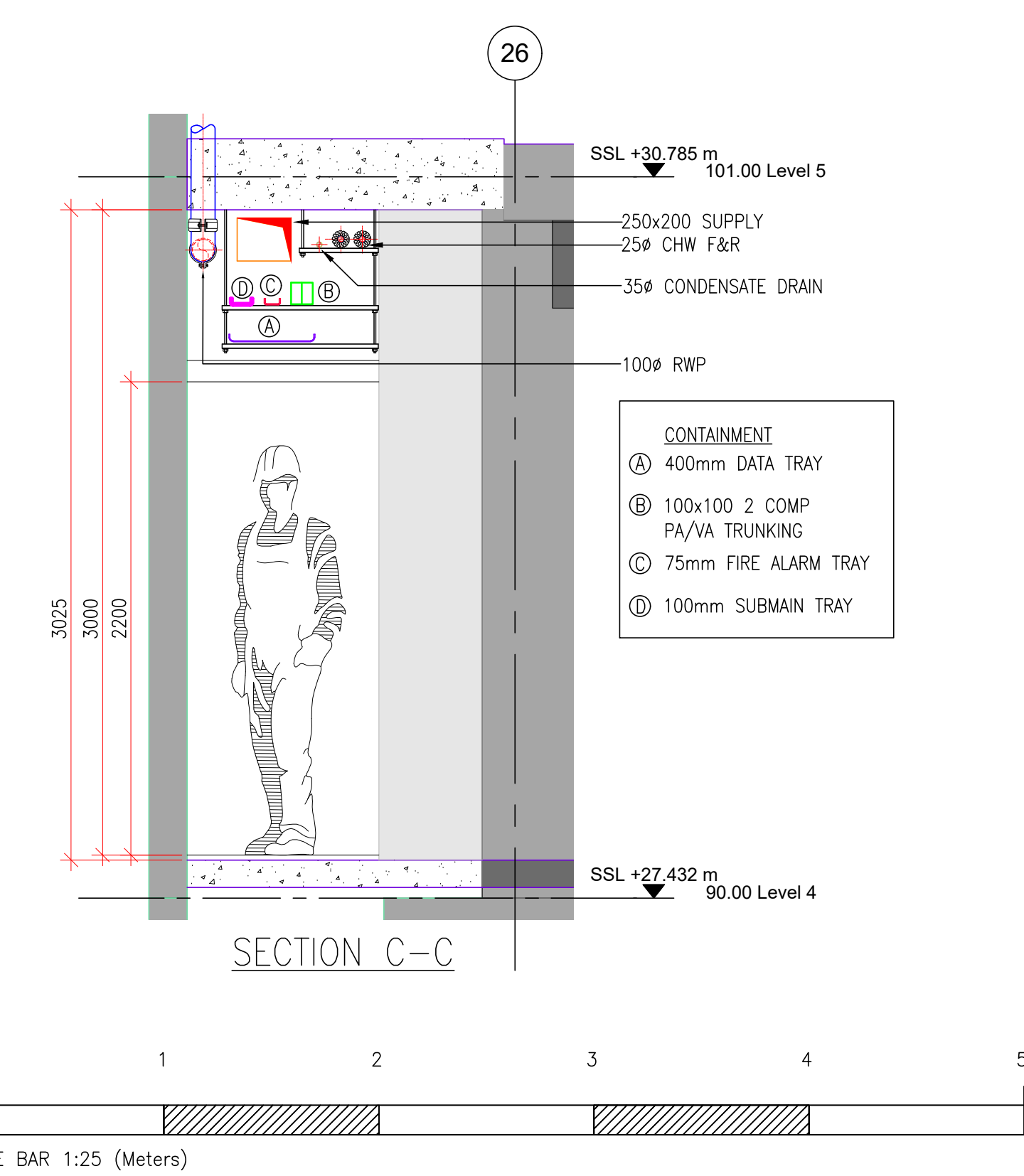
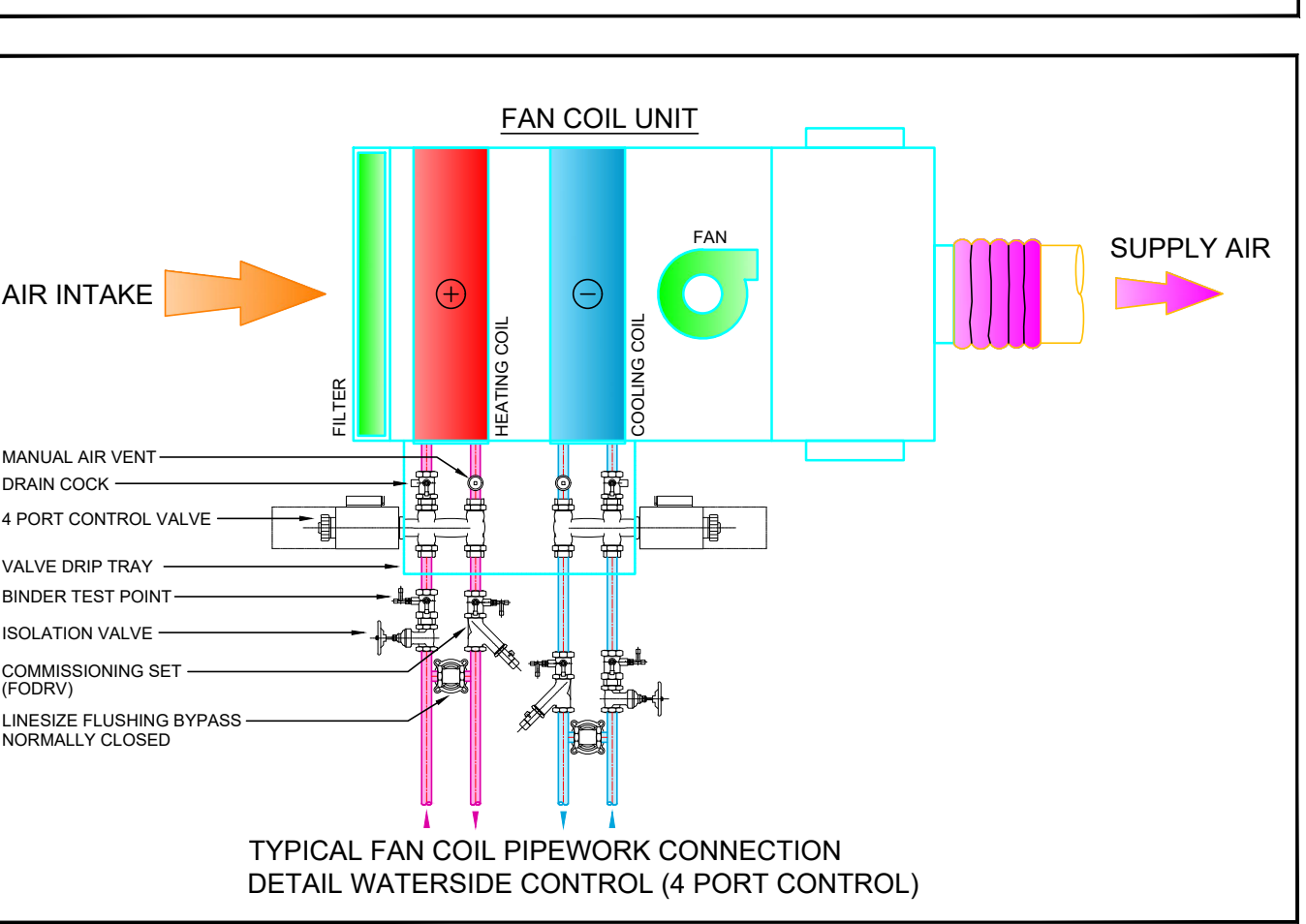
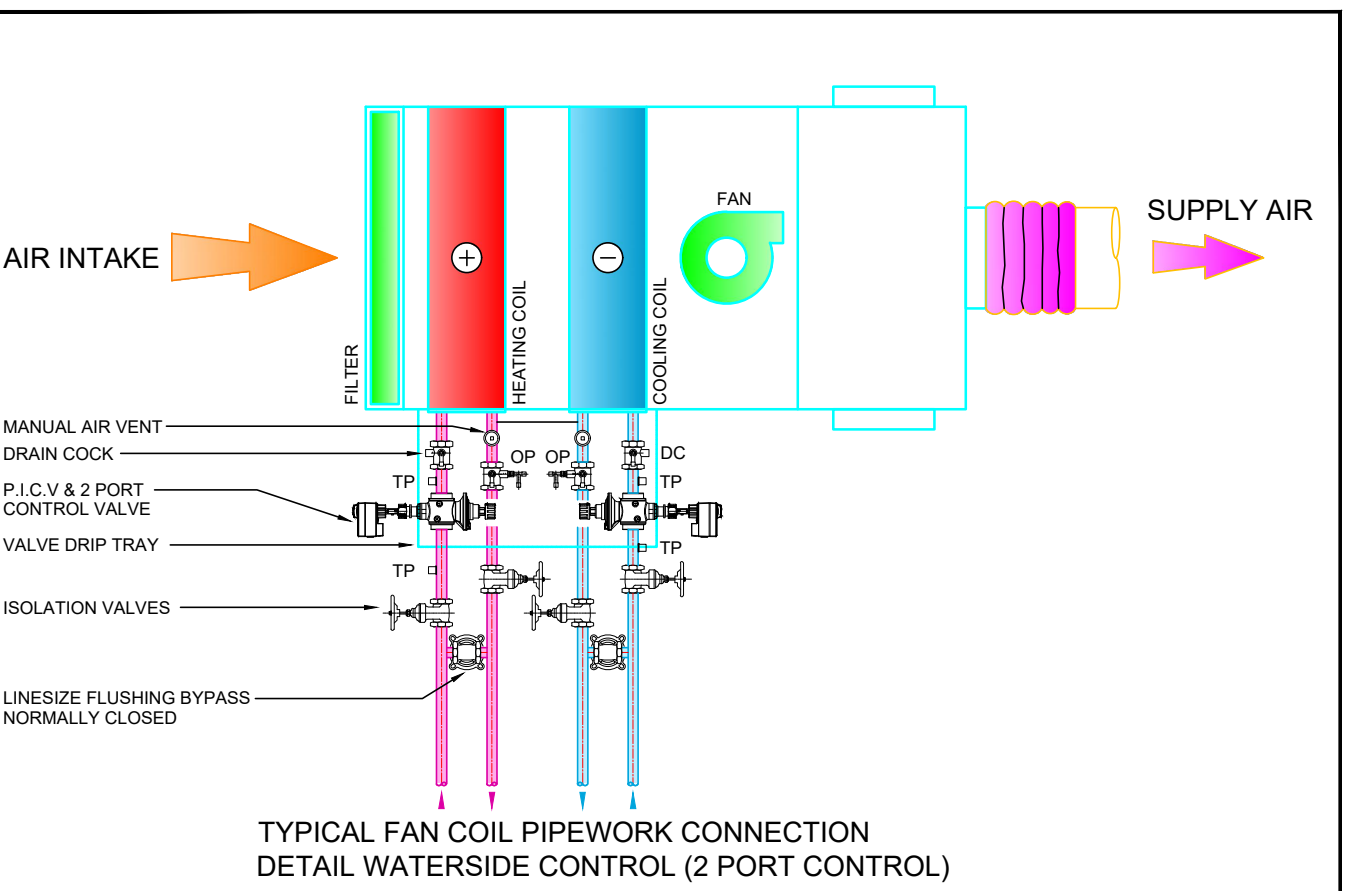
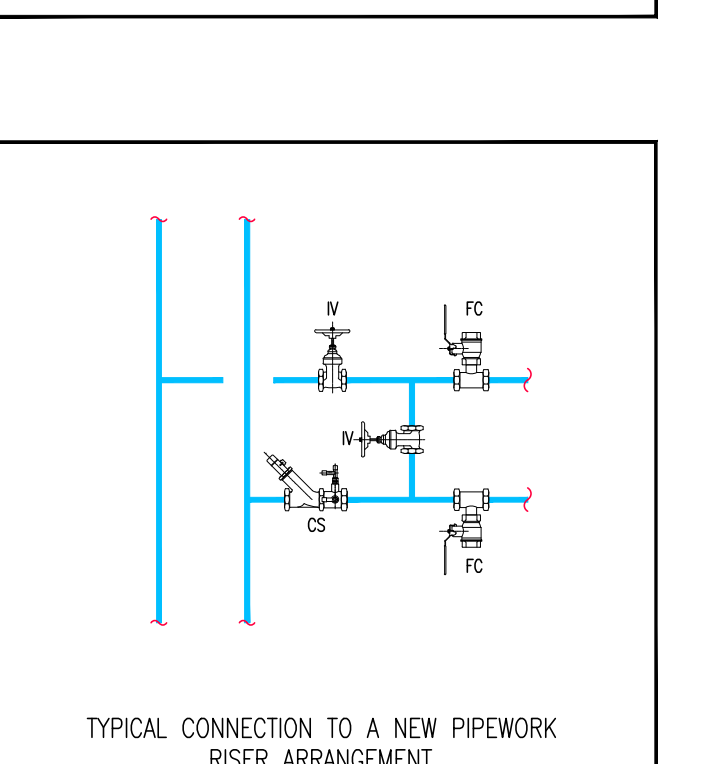
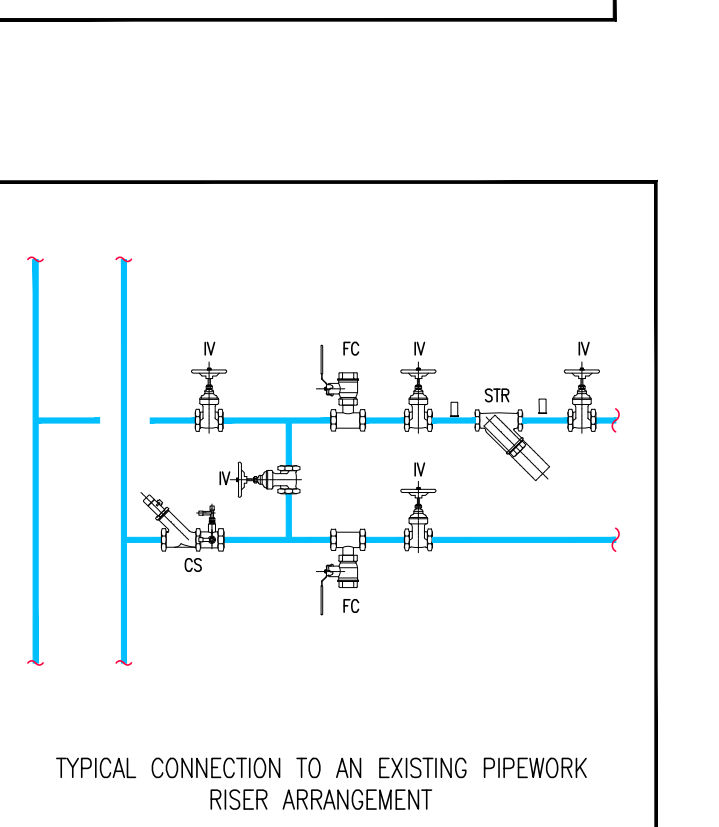
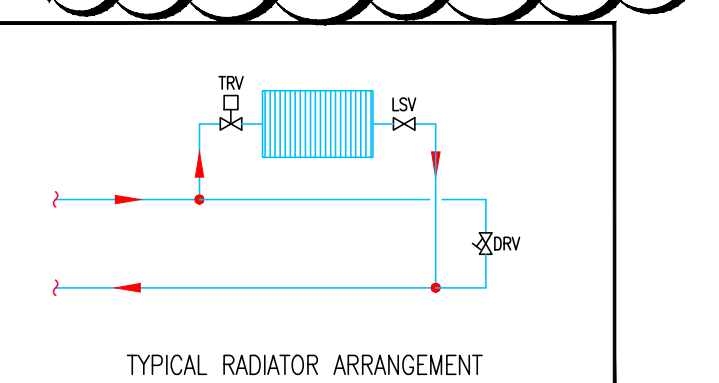


- NOTES:**
- DO NOT SCALE FROM THIS DRAWING
 - THIS DRAWING SHALL BE READ IN CONJUNCTION WITH ALL OTHER DRAWINGS AND DOCUMENTS PREPARED BY LONG & PARTNERS
 - THIS DRAWING IS TO DEPICT THE DESIGN INTENT FOR THE SCHEME. THE CONTRACTOR SHALL PRODUCE DETAILED CONSTRUCTION WORKING DRAWINGS
 - FINAL POSITIONS OF LTHW PIPEWORK F/A TBC FOLLOWING VALIDATION SURVEY OF CORE C RISER
 - FCU CONDENSATE PIPEWORK TO ROUTE TO WC STACK DROPPING FROM LEVEL 3. LOCATION OF EXISTING STACK TO BE DETERMINED PRIOR TO INSTALL
 - SUFFICIENT DISTANCE TO BE ALLOWED FOR INSTALLATION AND MAINTENANCE OF FCU. NO MORE THAN 200mm FROM FROM CONTROLS AND VALVES TO EDGE OF RAFT
 - FIRE COLLARS TO BE ADDED TO ALL PIPEWORK PASSING THROUGH A FIRE WALL
 - CEILING ACCESS PANELS TO BE ALLOWED FOR VALVE SETS & CONDENSATE LIFT PUMPS.

- LEGEND**
- FCU FAN COIL UNIT
 - CTA CROSS TALK ATTENUATOR
 - AHU AIR HANDLING UNIT
 - VS VALVE SET
 - IV ISOLATION VALVE
 - RE RODDING EYE
 - BMS ZONE CONTROL VALVE
 - CHILLED WATER
 - CT HEATING
 - VT HEATING



Rev	Date	Description	Drawn
6	30.06.20	STAGE 4 FINAL ISSUE INCORPORATING COMMENTS	CAD
5	19.06.20	REVISOR TO SUIT NEW ARCHITECT GA	CAD
4	26.05.20	COMMENTS INCORPORATED STAGE 4 ISSUE	CAD
3	07.05.20	ENTRANCE STAGE 4 ISSUE	CAD
2	28.04.20	ENTRANCE INCORPORATED	CAD
1	03.04.20	STAGE 4 ISSUE	CAD
0	28.02.20	STAGE 4 DRAFT ISSUE	CAD

Based on architect's drawing

XR-03-DR-A-2305

STAGE 4

Project: UCL IOE, 20 BEDFORD WAY PHASE 2

Title: LEVEL 3 CORE B LTHW & CHW LAYOUT

Scale: 1:500AD
Designed By: NH
Checked By: NLB
Date: DEC'19

building services consultants
long & partners

LP-CB-03-DR-M-1100 6

FILE: \\LCC-02-Phon2\p\2019\10\LP-CB-03-DR-M-1100-Rev-4 - Level 3 Core B LTHW & CHW Layout.rvt
 DATE: 12/12/2019 11:58:43 AM