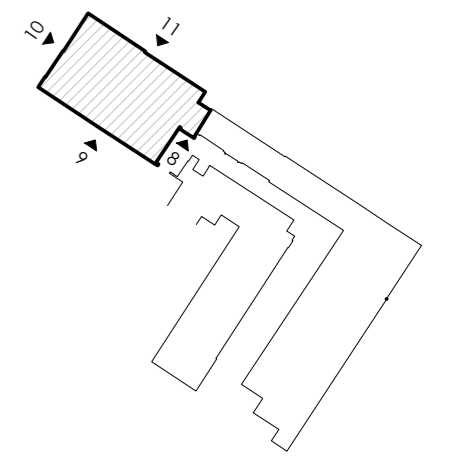


0 1 2 3 4 5

VISUAL SCALE (m) 1:100

NOTE:
ALL DIMENSIONS MUST BE CHECKED ON SITE AND NOT SCALED FROM
THIS DRAWING.
FOR USE IN PRECISE NAMED LOCATION ONLY. COPYRIGHT RESERVED.

SITE KEY PLAN
UTOPIA VILLAGE, LONDON



Survey information prepared by Midland Survey Ltd
refer to survey drawings ref. 34510 for further details



revision	date	description
status		
PLANNING		
project title	Utopia Village, Primrose Hill, London	
drawing title	SURVEY - ELEVATIONS (REF. 8 & 10)	
first issued	drawn	scale @ A2
19/05/20	/	100
job/drawing no/revision		
19094 - SU2052 -		

The Studio, 70 Church Road, Wheatley, Oxford, OX33 1LZ
01865 873936 | info@andersonorr.com | www.andersonorr.com

