

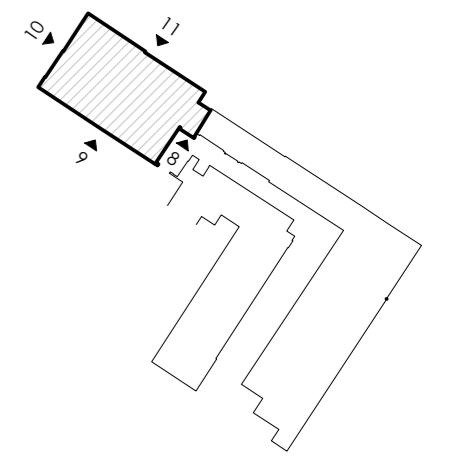
0 1 2 3 4 5

VISUAL SCALE (m) 1:100

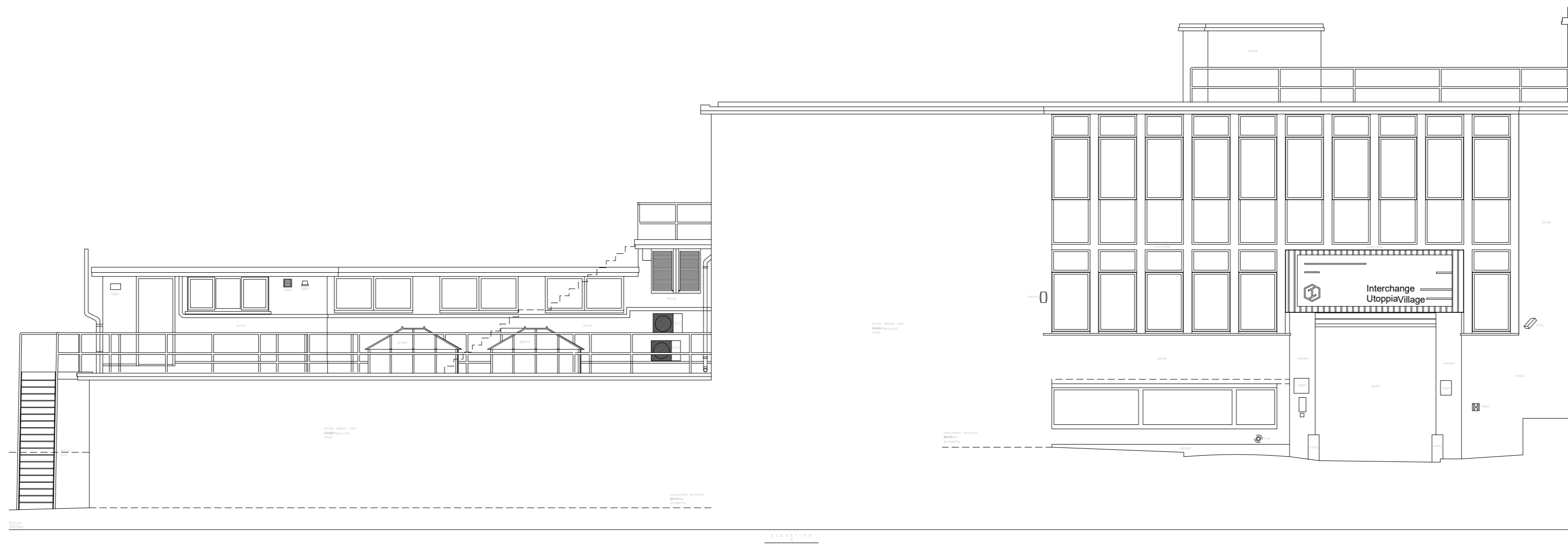
NOTE:  
ALL DIMENSIONS MUST BE CHECKED ON SITE AND NOT SCALED FROM THIS DRAWING.  
FOR USE IN PRECISE NAMED LOCATION ONLY. COPYRIGHT RESERVED.

**SITE KEY PLAN**

UTOPIA VILLAGE, LONDON



Survey information prepared by Midland Survey Ltd refer to survey drawings ref. 34510 for further details



revision date description

status

**PLANNING**

project title  
Utopia Village, Primrose Hill,  
London

drawing title  
**SURVEY - ELEVATION (REF.9)**

first issued drawn scale @ A2  
19/05/20 / 100

job/drawing no/revision

**19094 - SU2050 -**

The Studio, 70 Church Road, Wheatley, Oxford, OX33 1LZ  
01865 873936 | info@andersonorr.com | www.andersonorr.com

**Anderson Orr**  
Architects