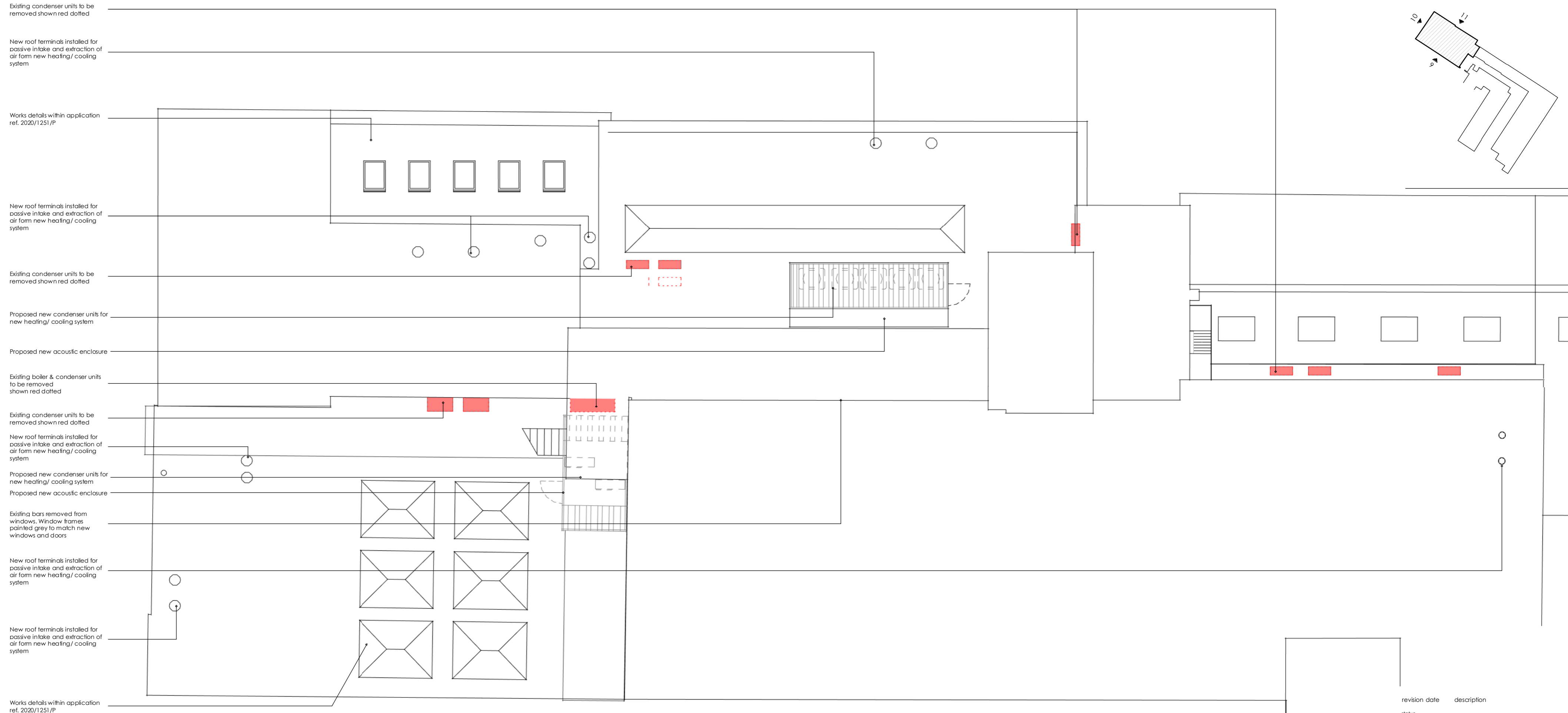
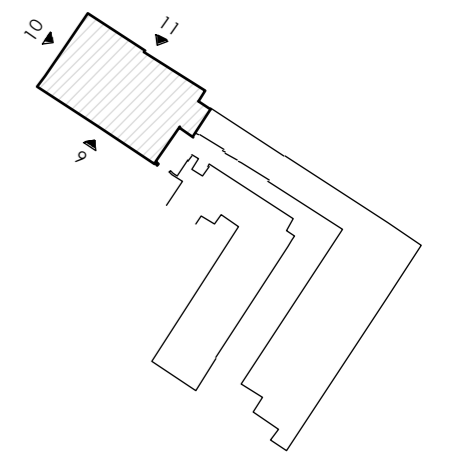


0 1 2 3 4 5  
 VISUAL SCALE (m) 1:100  
 NOTE:  
 ALL DIMENSIONS MUST BE CHECKED ON SITE AND NOT SCALED FROM  
 THIS DRAWING.  
 FOR USE IN PRECISE NAMED LOCATION ONLY. COPYRIGHT RESERVED.

**SITE KEY PLAN**  
 UTOPIA VILLAGE, LONDON



Existing condenser units to be removed shown red dotted

New roof terminals installed for passive intake and extraction of air from new heating/cooling system

Works details within application ref. 2020/1251/P

New roof terminals installed for passive intake and extraction of air from new heating/cooling system

Existing condenser units to be removed shown red dotted

Proposed new condenser units for new heating/cooling system

Proposed new acoustic enclosure

Existing boiler & condenser units to be removed shown red dotted

Existing condenser units to be removed shown red dotted

New roof terminals installed for passive intake and extraction of air from new heating/cooling system

Proposed new condenser units for new heating/cooling system

Proposed new acoustic enclosure

Existing bars removed from windows. Window frames painted grey to match new windows and doors

New roof terminals installed for passive intake and extraction of air from new heating/cooling system

New roof terminals installed for passive intake and extraction of air from new heating/cooling system

Works details within application ref. 2020/1251/P

revision	date	description
		status
<b>PLANNING</b>		
project title		
UTOPIA VILLAGE, PRIMROSE HILL, LONDON		
drawing title		
PROPOSED ROOF PLAN		
first issued	drawn	scale @ A2
03/11/21	JC	1:100
job/drawing no/revision		
19094 - PP3033 -		
The Studio, 70 Church Road, Wheatley, Oxford, OX33 1LZ		
01865 873936   info@andersonorr.com   www.andersonorr.com		

**Anderson Orr**  
 Architects