

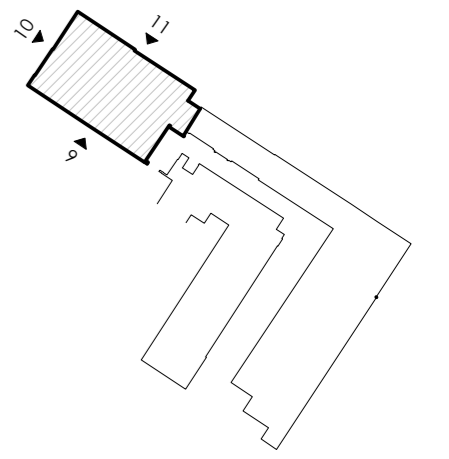
0 1 2 3 4 5

VISUAL SCALE (m) 1:100

NOTE:
ALL DIMENSIONS MUST BE CHECKED ON SITE AND NOT SCALED FROM THIS DRAWING.
FOR USE IN PRECISE NAMED LOCATION ONLY. COPYRIGHT RESERVED.

SITE KEY PLAN

UTOPIA VILLAGE, LONDON



revision date description

status

PLANNING

project title
UTOPIA VILLAGE, PRIMROSE HILL,
LONDON

drawing title
ELEVATION AS PROPOSED (REF.10)

first issued drawn scale @ A2
03/11/21 JC 1:100

job/drawing no/revision

19094 - PE3052 -

The Studio, 70 Church Road, Wheatley, Oxford, OX33 1LZ
01865 873936 | info@andersonorr.com | www.andersonorr.com

Anderson Orr
Architects