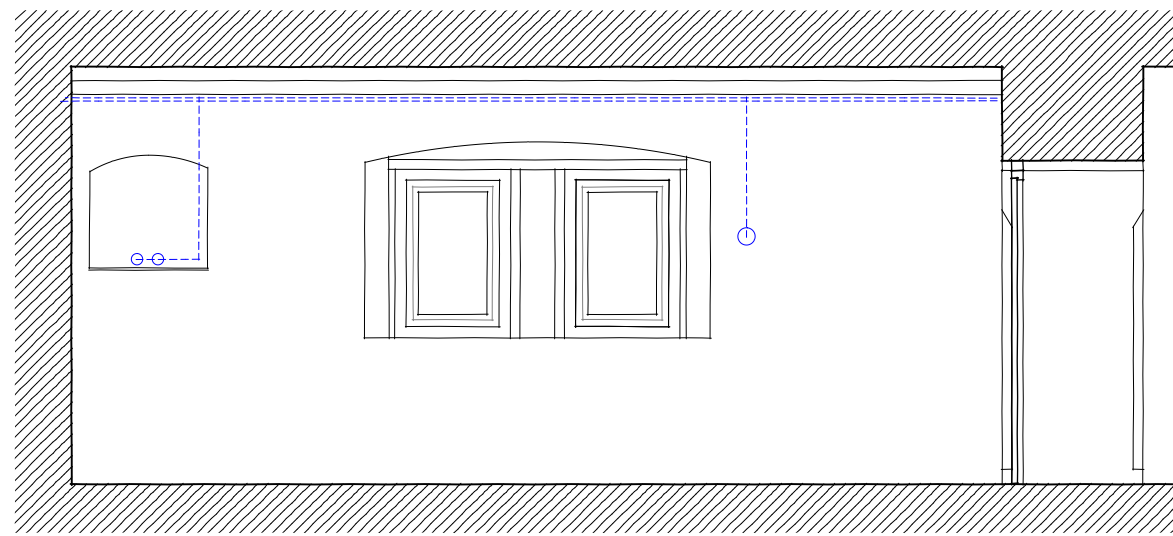
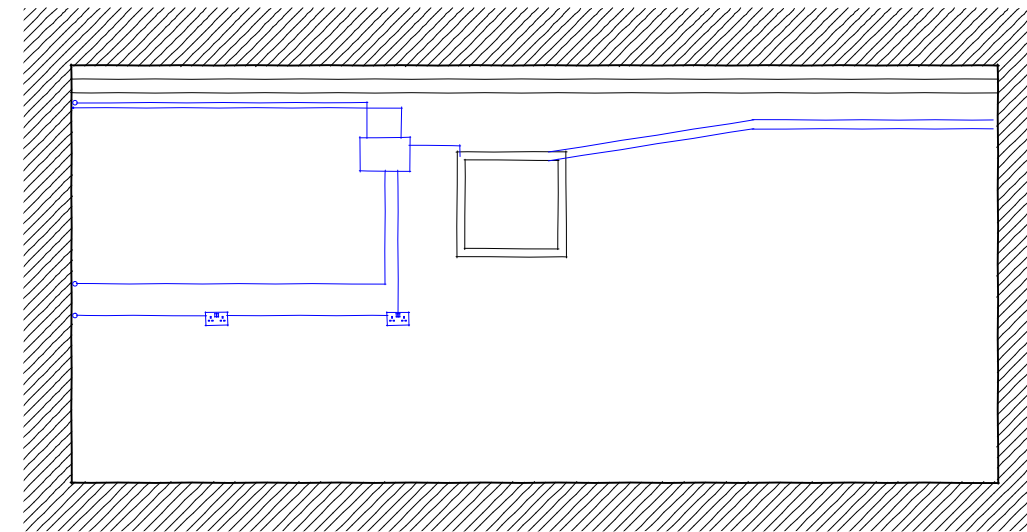




VIEW A
Scale: 1:50



VIEW B
Scale: 1:50



VIEW C
Scale: 1:50

 Chartered Building Surveyors Project Managers Land Agents LONDON 181 Union Street, Southwark, SE1 0LN HAMPSHIRE Rose Cottage, The Bury Odiham, RG29 1NB T 01256 701176 www.ryanbunce.co.uk email: info@ryanbunce.co.uk	PROJECT Rosslyn Hill Chapel 3 Pilgrim's Pl, London NW3 1NG		CLIENT Rosslyn Hill Chapel		
	DRAWING TITLE CRYPT INTERNAL ELEVATIONS AS EXISTING		DATE 05/10/2021	SCALE 1:50	DRAWN BY
	File name: Rosslyn Hill Chapel Crypt v2022.vwx Printed on: 05/10/2021			DRAWING NO J239 / 03	REV