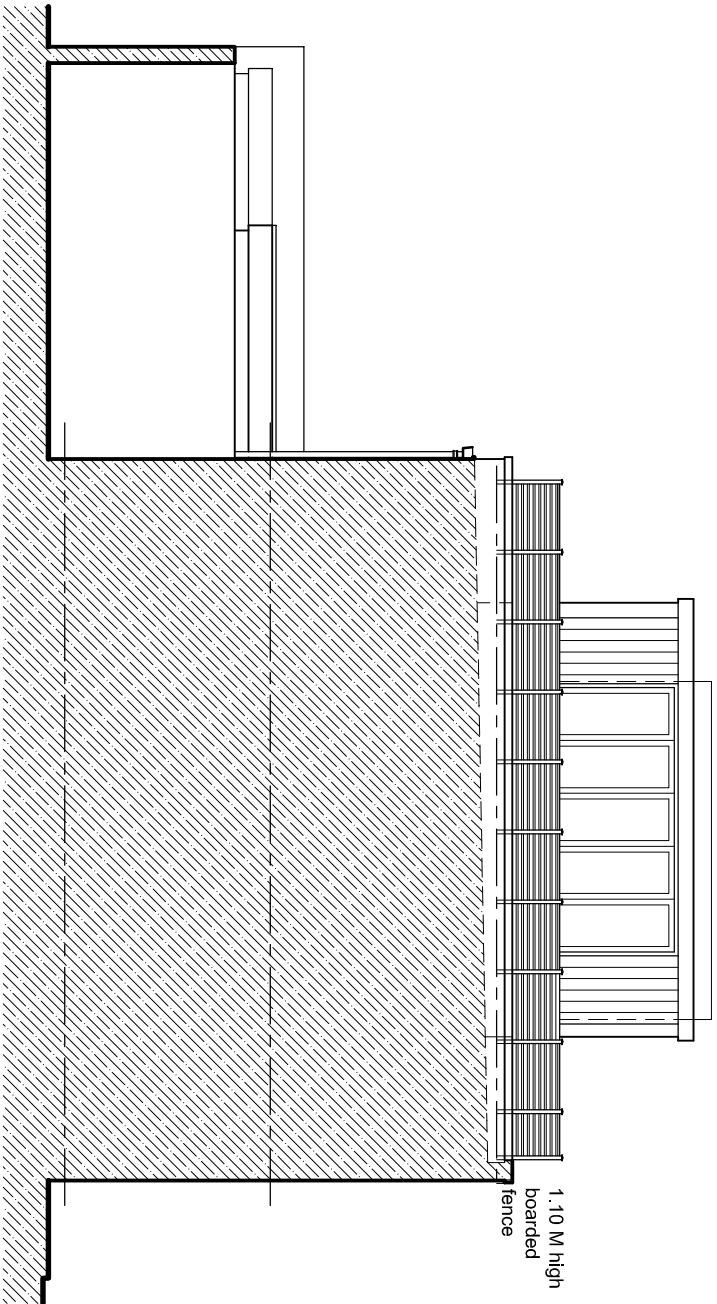
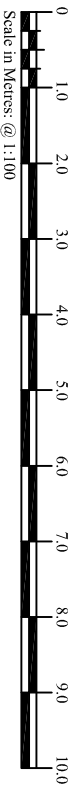


South East Elevation
SCALE 1:100



North East Elevation
SCALE 1:100



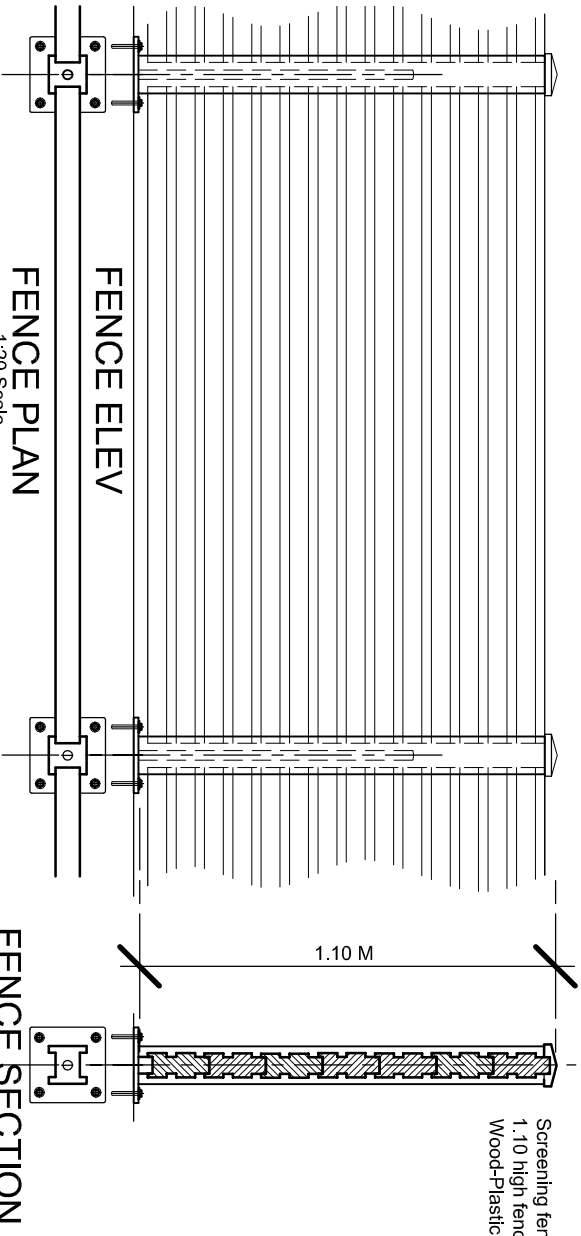
Screening fence by Ecospace Ltd.
1.10 high fence panels of:-
Wood-Plastic composite system

A 15.11.2021 Detailing added
Rev.

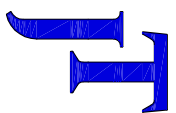
**Project: PROPOSED REFURBISHMENT OF 8 CAMDEN
MEWS, CAMDEN. NW1 9DA**

Drawing Title: SE & NE ELEVATION AS PROPOSED

Drawn: JF	Date: OCTOBER 2021	Scale: 1:20 & 1:100 @ A4
Drawing No. 21 382 12reVA		



Scale in Metres: @ 1:20



**JOHN TURNER
Plan & Design**

11 The Weavers
Old Mill Lane
Old Town
Swindon
SN3 1SE
Tel: 01793 638695
Mbl: 07836 222223
Email: john.tplan@gmail.com