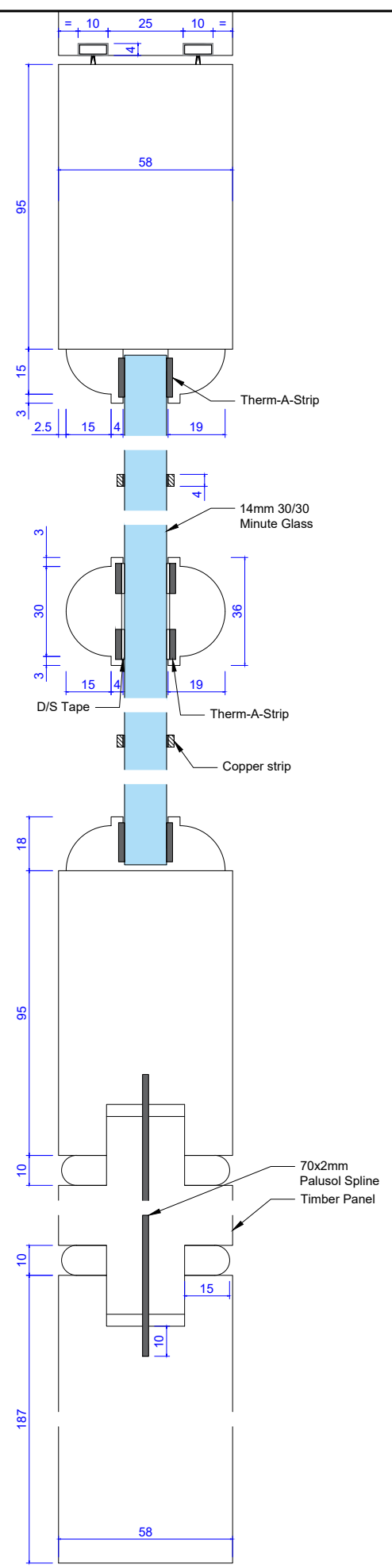


E03A door type FD30 (Double action)



NOTES:
1.

BROWN & CARROLL LONDON

The Brown & Carroll Works
Homewood Road, Basildon, Essex SS14 3DT
T: 01268 243850 F: 01268 243851
E: info@brown-carroll.co.uk

Rev	Changes	Date
P03	CHANGED GLASS TYPE FOR E01A, E02, E03A, E04 and RW01	20/08/2021
P02	CHANGED LAYOUT AND INCORPORATED IFC COMMENTS	05/07/2021
P01	ADDED RWP01, E01A, E02, E03A, E04, RW01 & INCREASED STILES ON E06	28/06/2021
P00	ISSUED FOR APPROVAL	28/05/2021

Property of Kensington Specialist Joinery Ltd/ Longden Doors

Client BROWN & CARROLL	
Site Address 116213Phs1 CAMDEN TOWN HALL	
Drawing Title XXX- E03A Door Type FD30	
Scale 1:2 & 1:12 @ A3	
Drawn By MB	Date Drawn 20/08/2021

LONGDEN
INDIVIDUALLY CRAFTED DOORS
Handmade since 1838
Manufacturing: Unit 5B Bradbury Road, Whinbank Park, Whinbank Road, Aycliffe Industrial, Newton Aycliffe, Co. Durham, DL5 6AY
Commercial: Byron House, 4 Meadowbank Way, Eastwood, Notts, NG16 5SB
www.longdendoors.co.uk

Drawing Status APPROVAL DRAWING			
Job No 2236	Dwg Group 001	Drawing No 413	Revision P03
Document Control Issue No CTH-BAC-XXX-DR-39-0413			