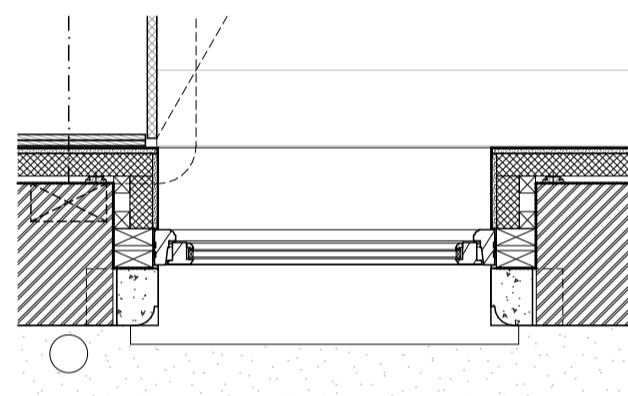
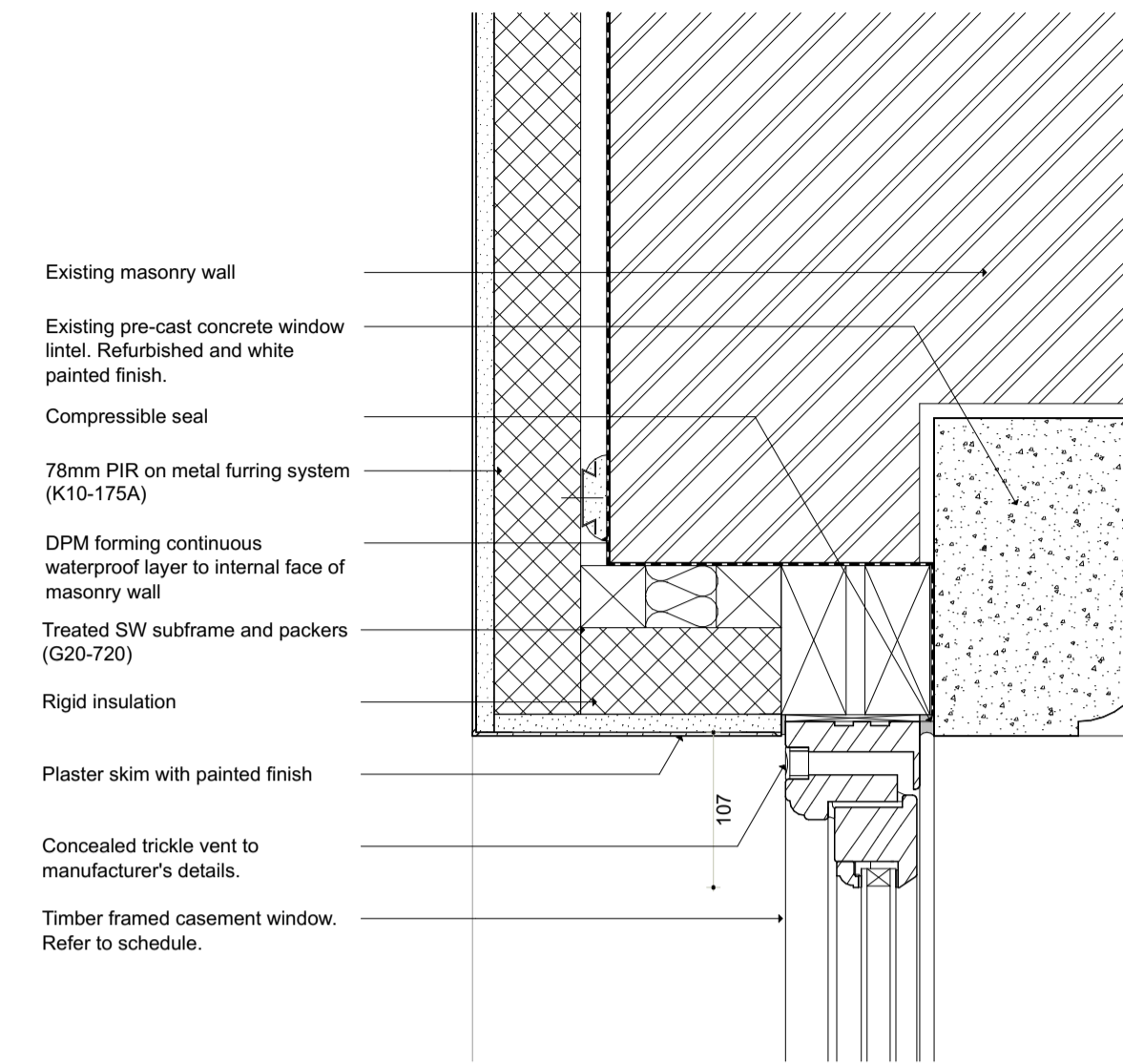


01 - Traditional casement window - section
Scale 1:20 @A1

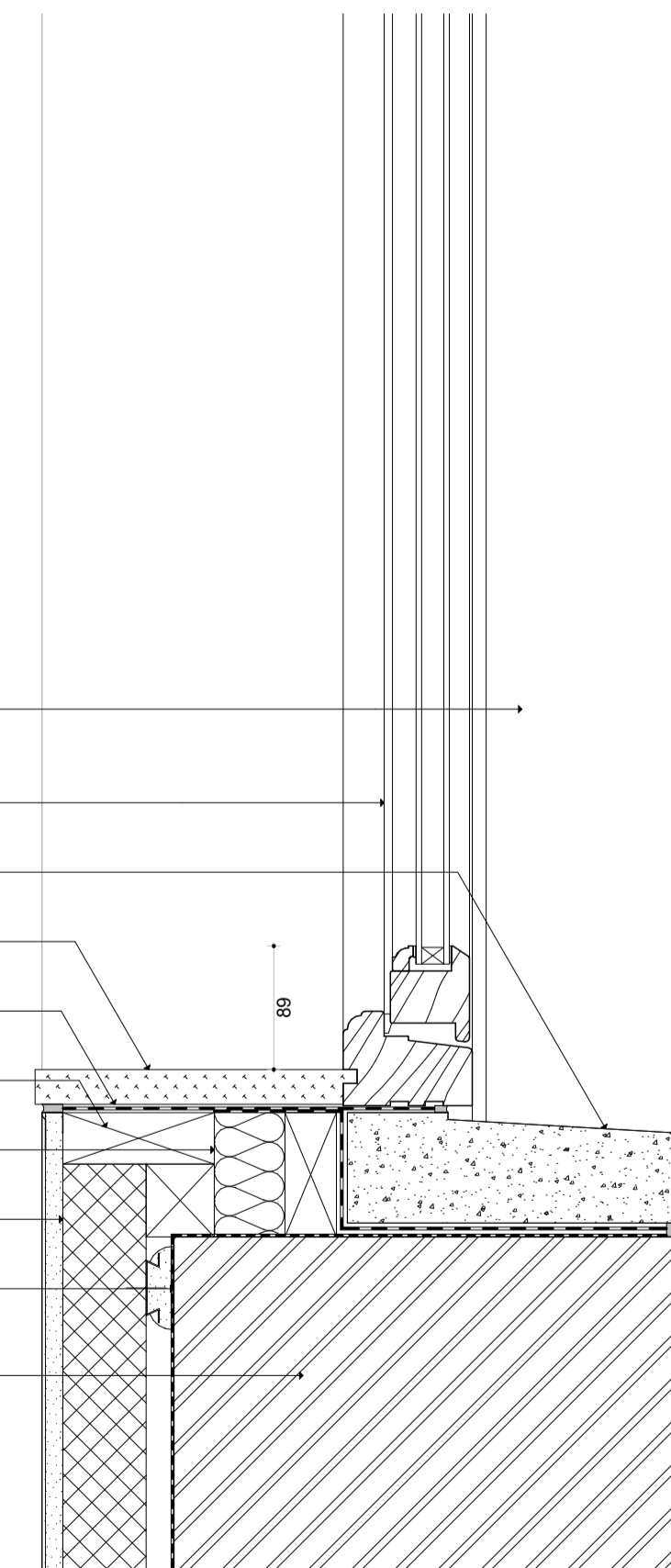
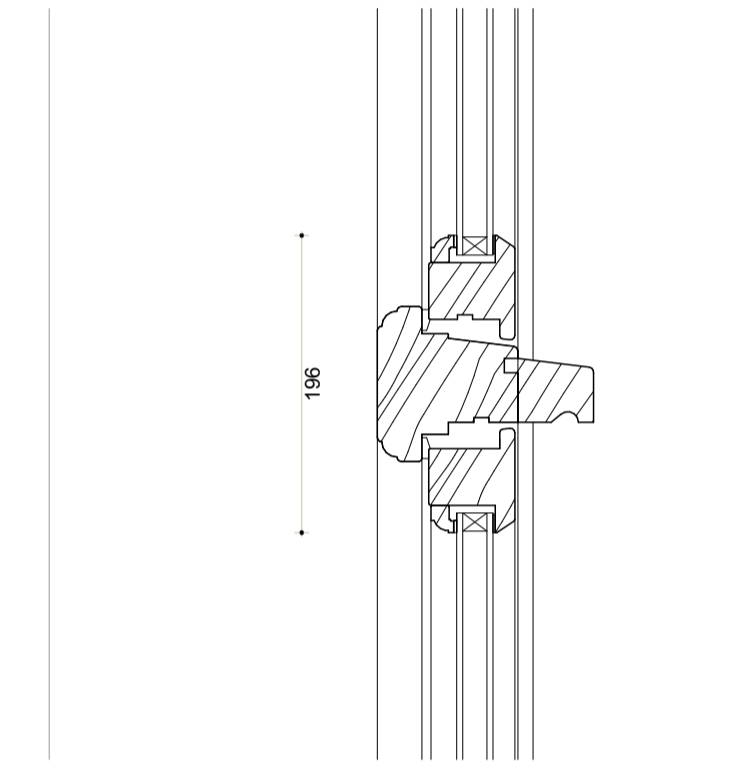
02 - Traditional casement window - elevation
Scale 1:20 @A1



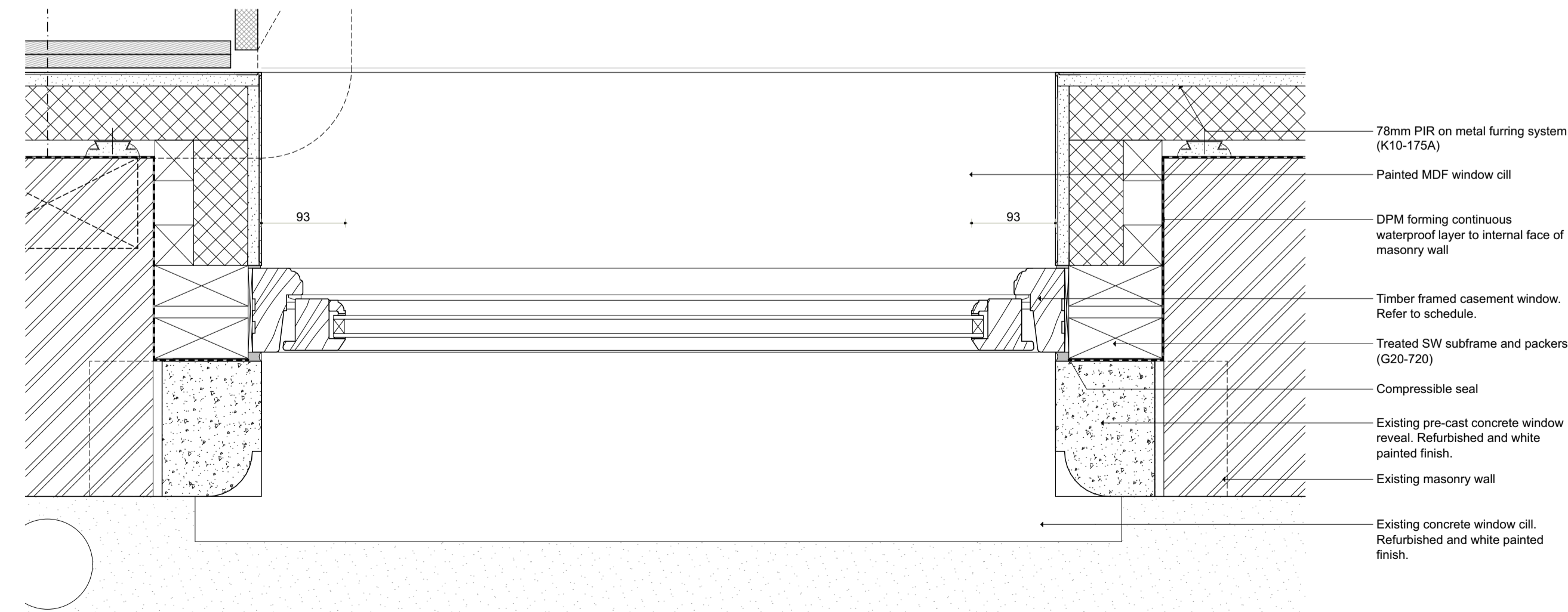
03 - Traditional casement window - plan
Scale 1:20 @A1



- Existing masonry wall
- Existing pre-cast concrete window lintel. Refurbished and white painted finish.
- Compressible seal
- 78mm PIR on metal furring system (K10-175A)
- DPM forming continuous waterproof layer to internal face of masonry wall
- Treated SW subframe and packers (G20-720)
- Rigid insulation
- Plaster skim with painted finish
- Concealed trickle vent to manufacturer's details.
- Timber framed casement window. Refer to schedule.



- Existing pre-cast concrete window reveal. Refurbished and white painted finish.
- Timber framed casement window. Refer to schedule.
- Existing concrete window cill. Refurbished and white painted finish.
- Painted MDF window cill
- DPM forming continuous waterproof layer.
- Treated SW subframe and packers (G20-720)
- Mineral wool insulation
- 78mm PIR on metal furring system (K10-175A)
- DPM forming continuous waterproof layer to internal face of masonry wall
- Existing masonry wall



04 - Traditional casement window - plan detail
Scale 1:5 @A1

05 - Traditional casement window - foot / head / transom detail
Scale 1:5 @A1

Revision	Date	Description	Drawn	Check

PINZAUER

44 GREAT RUSSELL STREET
LONDON WC1B 3PA
WWW.PINZAUER.COM

Project: **21 Maresfield Gardens** Project number: **002**

Client: **Eli and Aliza Pine**

Drawing name: **External details - traditional single casement window** Drawing number: **515**

Date: **27/08/2020** Issue: **00**
 Scale / Format: **1:20, 1:5 at A1 /**
 Drawn / Checked: **RC / ANW** Stage 4 for costing
 Approved: **GB** DRAFT
 CAD Reference: **002_84_500.pln**

