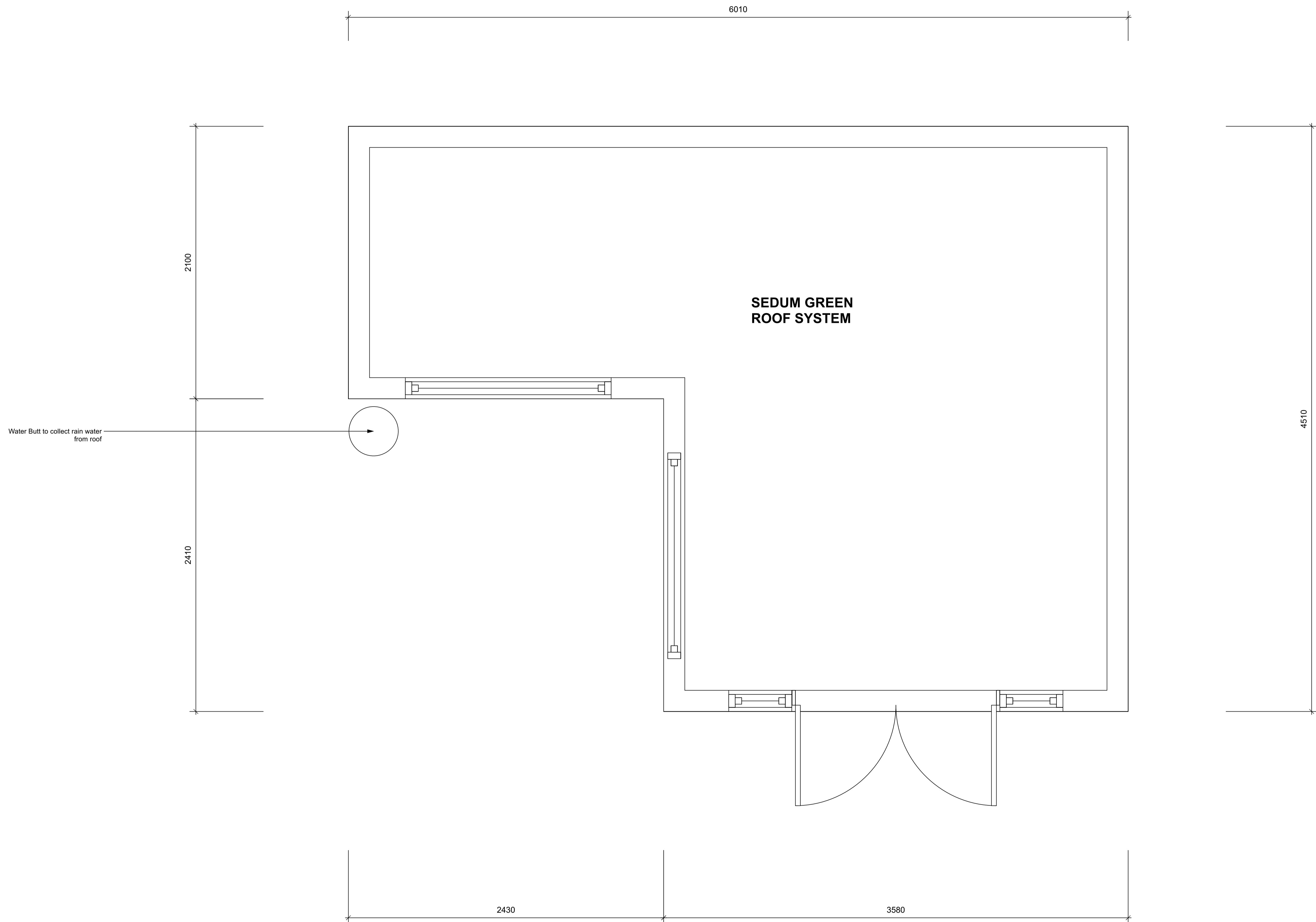


Dartmouth Park Road - Garden Room Plan

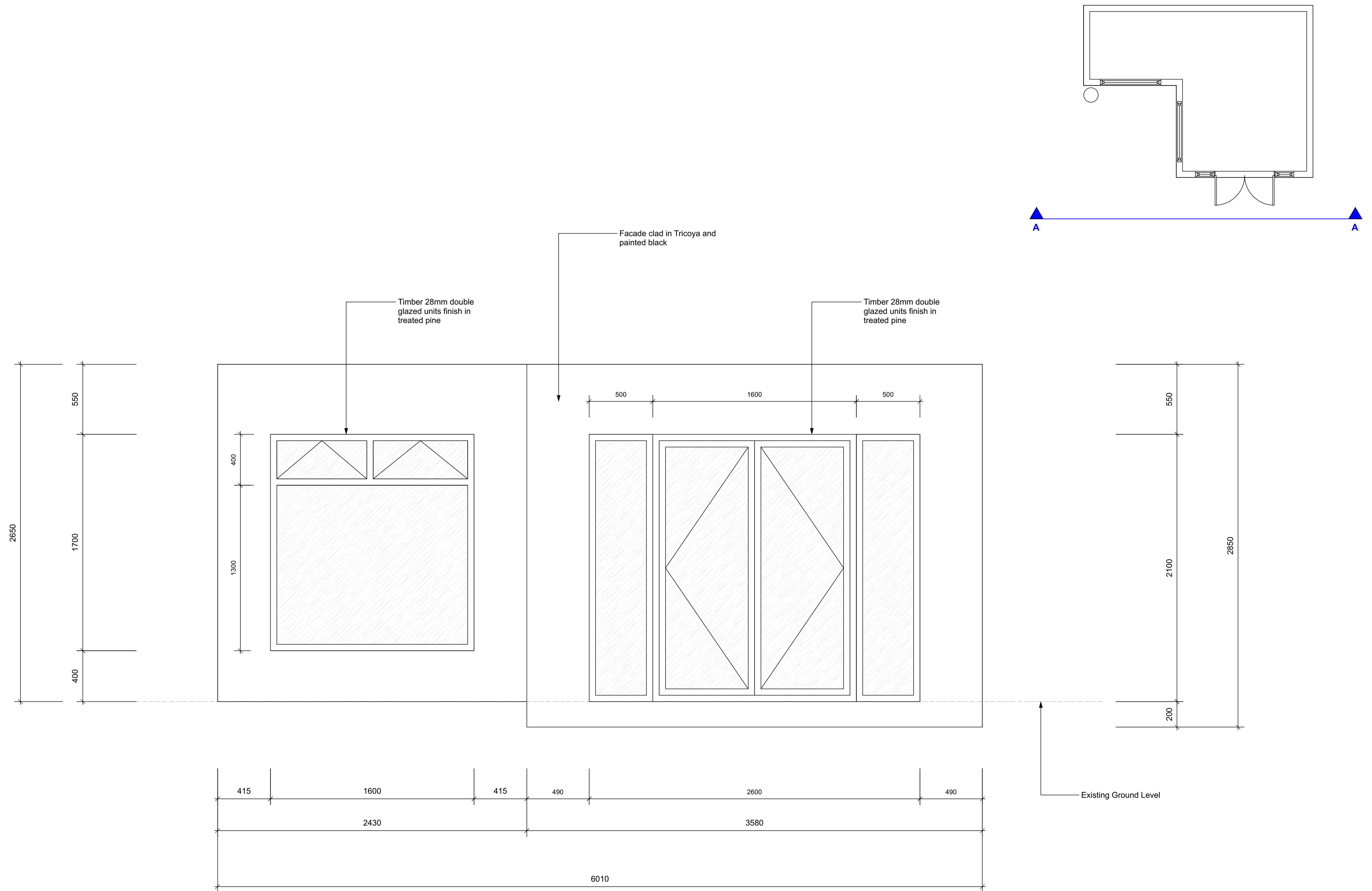
2110-DPR-GR001



Notes: <small>DIMENSIONS NOT TO BE SCALED FROM THIS DRAWING. USE STATED DIMENSIONS ONLY. ANY DISCREPANCIES/OMMISSIONS TO BE REPORTED TO THE DESIGNER.</small> <small>ALL EXISTING DIMENSIONS, LEVELS, DRAIN RUNS AND SITE CONDITIONS TO BE CHECKED PRIOR TO CONSTRUCTION.</small>		Drawing Details:			Client:
		<small>Project Title:</small> Dartmouth Park Road	<small>Drawn by:</small> John Ward	<small>Tara & Bertrand Fairerol</small>	
		<small>Drawing Title:</small> Garden Room Plan	<small>Contact:</small> 0778 8577709	<small>Flat 1, 40 Dartmouth Park Road, Dartmouth Park, NW5 1SX</small>	
		<small>Drawing No:</small> 2110-DPR-GR001	<small>Scale:</small> 1:20 @ A1	<small>Revision No:</small> n/a	
<small>Date of Issue:</small> 30-Nov-2021					

Dartmouth Park Road - Garden Room - Elevation AA

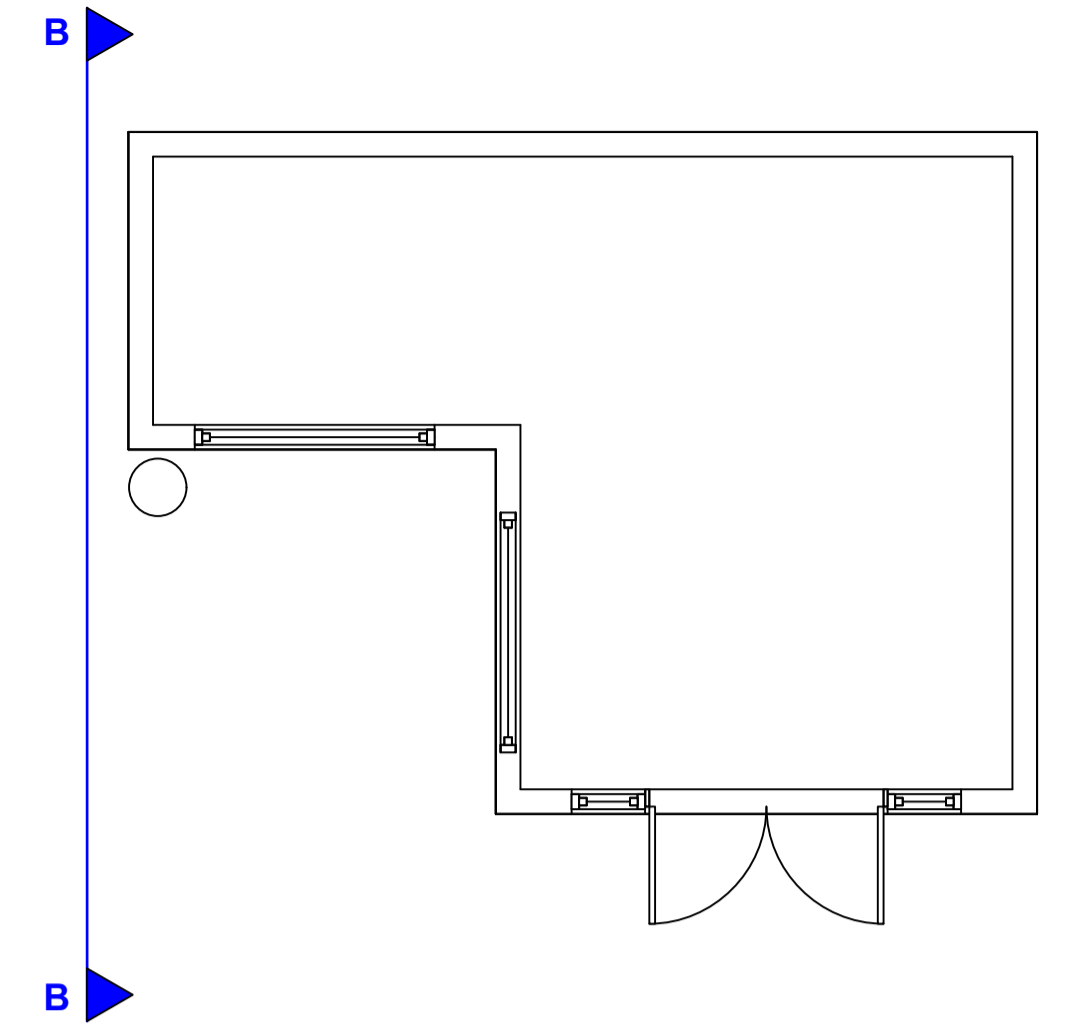
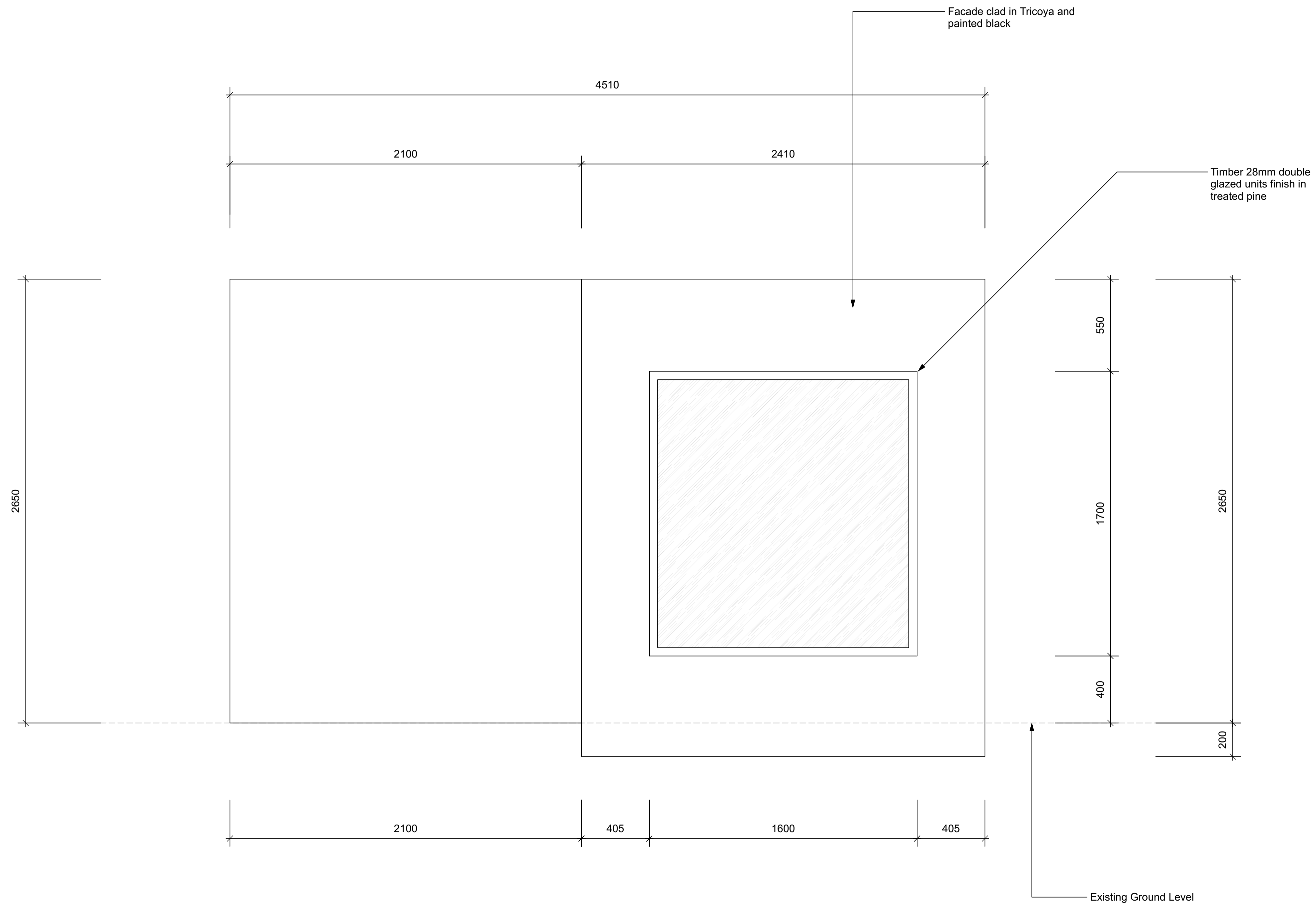
2110-DPR-GR002



Notes: <small>DIMENSIONS NOT TO BE SCALED FROM THIS DRAWING. USE STATED DIMENSIONS ONLY. ANY DISCREPANCIES/ OMISSIONS TO BE REPORTED TO THE DESIGNER.</small> <small>ALL EXISTING DIMENSIONS, LEVELS, DRAIN RUNS AND SITE CONDITIONS TO BE CHECKED PRIOR TO CONSTRUCTION.</small>	Drawing Details:			Client:	
	Project Title:	Dartmouth Park Road	Drawn by:	John Ward	Tara & Bertrand Fairerol
	Drawing Title:	Garden Room - Elevation AA	Contact:	0778 8577709	Flat 1, 40 Dartmouth Park Road, Dartmouth Park, NW5 1SX
	Drawing No:	2110-DPR-GR002	Scale:	1:20 @ A1	
	Date of Issue:	30-Nov-2021	Revision No:	n/a	

Dartmouth Park Road - Garden Room - Elevation BB

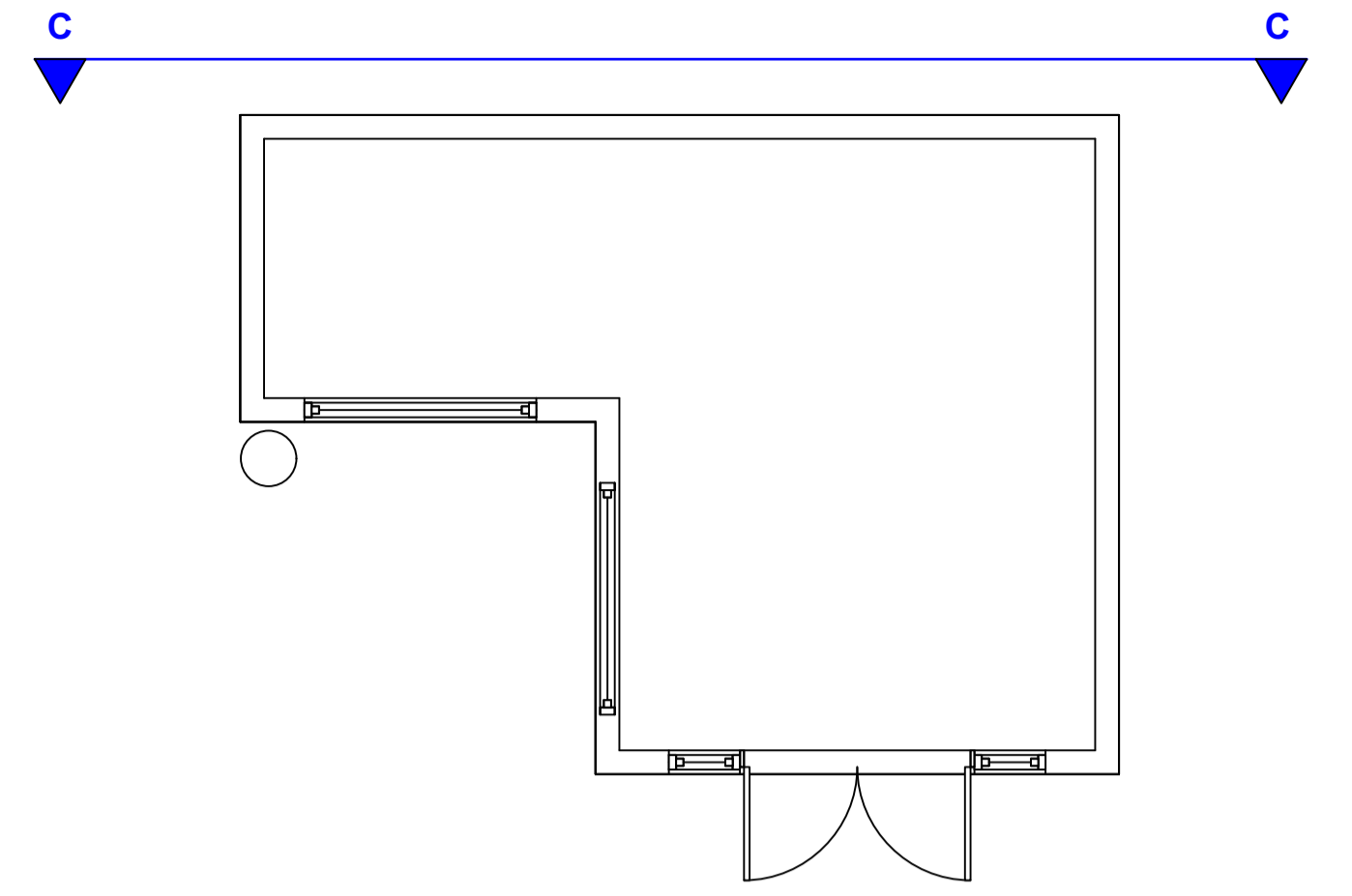
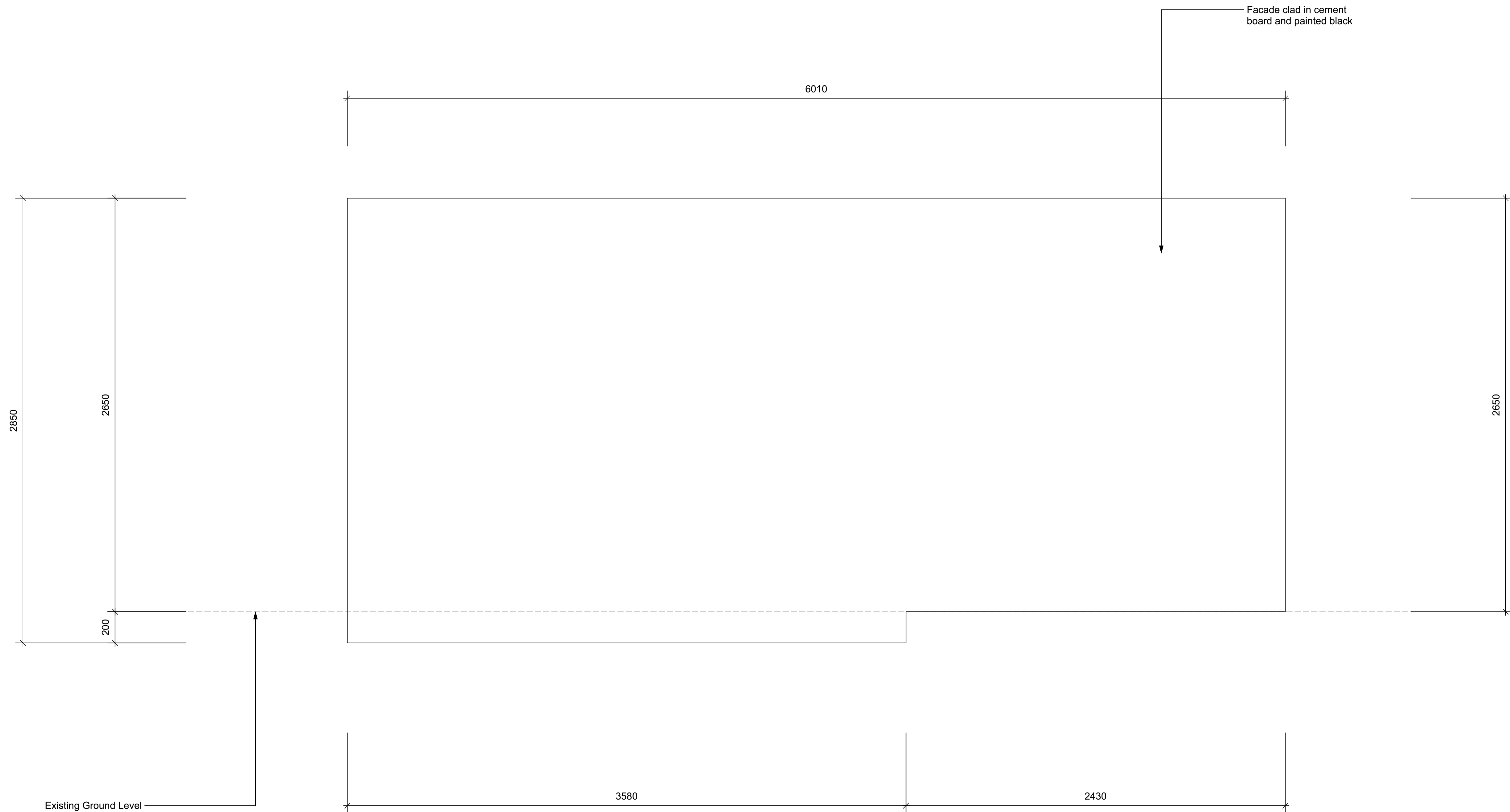
2110-DPR-GR003



Notes: DIMENSIONS NOT TO BE SCALED FROM THIS DRAWING. USE STATED DIMENSIONS ONLY. ANY DISCREPANCIES / OMISSIONS TO BE REPORTED TO THE DESIGNER. ALL EXISTING DIMENSIONS, LEVELS, DRAIN RUNS AND SITE CONDITIONS TO BE CHECKED PRIOR TO CONSTRUCTION.	Drawing Details:			Client:	
	Project Title:	Dartmouth Park Road	Drawn by:	John Ward	Tara & Bertrand Fairerol
	Drawing Title:	Garden Room - Elevation BB	Contact:	0778 8577709	Flat 1, 40 Dartmouth Park Road, Dartmouth Park, NW5 1SX
	Drawing No:	2110-DPR-GR003	Scale:	1:20 @ A1	
	Date of Issue:	30-Nov-2021	Revision No:	n/a	

Dartmouth Park Road - Garden Room - Elevation CC

2110-DPR-GR004

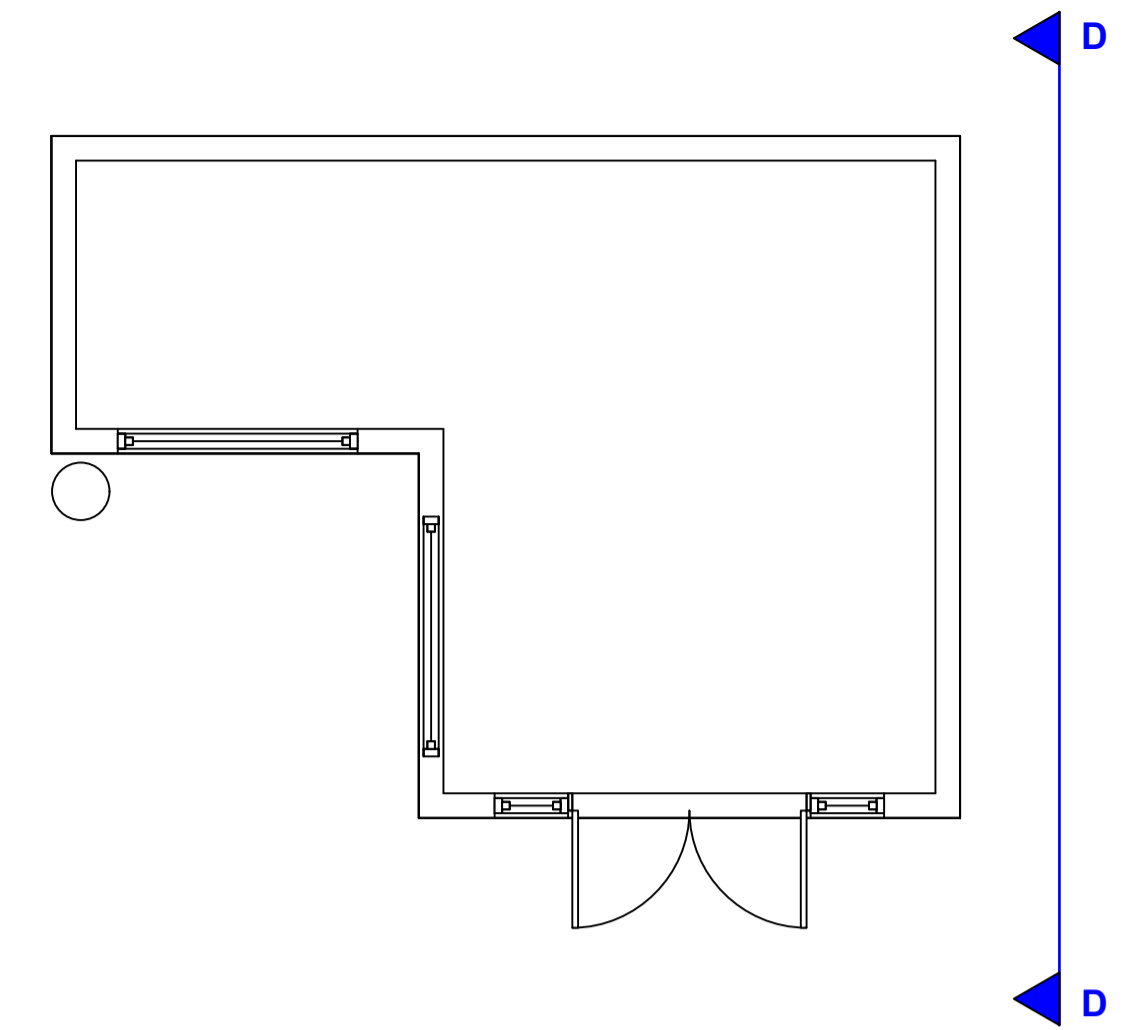
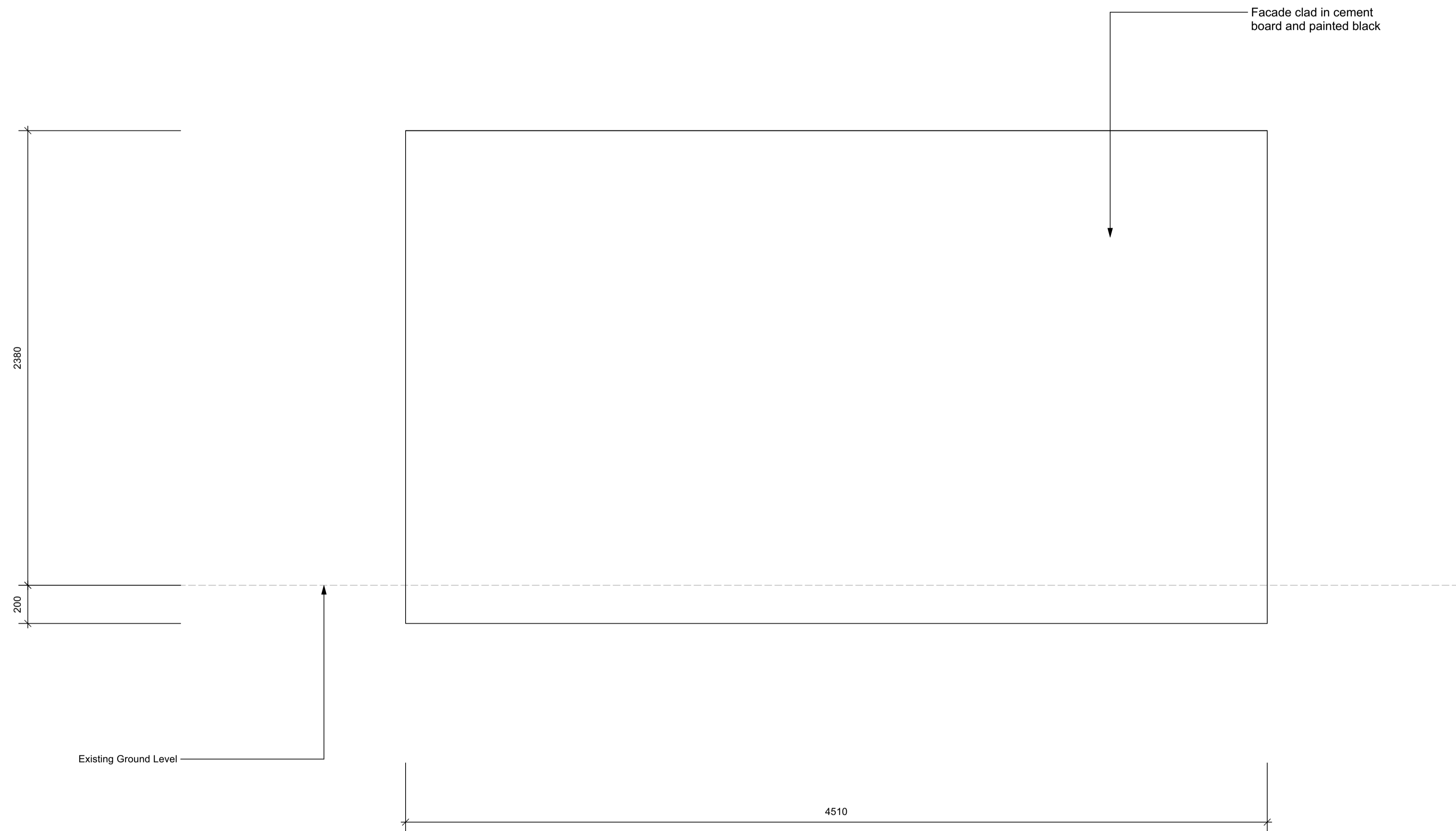


Notes: <small>DIMENSIONS NOT TO BE SCALED FROM THIS DRAWING. USE STATED DIMENSIONS ONLY. ANY DISCREPANCIES / OMISSIONS TO BE REPORTED TO THE DESIGNER.</small> <small>ALL EXISTING DIMENSIONS, LEVELS, DRAIN RUNS AND SITE CONDITIONS TO BE CHECKED PRIOR TO CONSTRUCTION.</small>	Drawing Details:			Client:	
	Project Title:	Dartmouth Park Road	Drawn by:	John Ward	Tara & Bertrand Fairerol
	Drawing Title:	Garden Room - Elevation CC	Contact:	0778 8577709	Flat 1, 40 Dartmouth Park Road, Dartmouth Park, NW5 1SX
	Drawing No:	2110-DPR-GR004	Scale:	1:20 @ A1	
	Date of Issue:	30-Nov-2021	Revision No:	n/a	



Dartmouth Park Road - Garden Room - Elevation DD

2110-DPR-GR005



Notes: <small>DIMENSIONS NOT TO BE SCALED FROM THIS DRAWING. USE STATED DIMENSIONS ONLY. ANY DISCREPANCIES / OMISSIONS TO BE REPORTED TO THE DESIGNER.</small> <small>ALL EXISTING DIMENSIONS, LEVELS, DRAIN RUNS AND SITE CONDITIONS TO BE CHECKED PRIOR TO CONSTRUCTION.</small>	Drawing Details:			Client:	
	Project Title:	Dartmouth Park Road	Drawn by:	John Ward	Tara & Bertrand Fairerol
	Drawing Title:	Garden Room - Elevation DD	Contact:	0778 8577709	Flat 1, 40 Dartmouth Park Road, Dartmouth Park, NW5 1SX
	Drawing No:	2110-DPR-GR005	Scale:	1:20 @ A1	
	Date of Issue:	30-Nov-2021	Revision No:	n/a	

