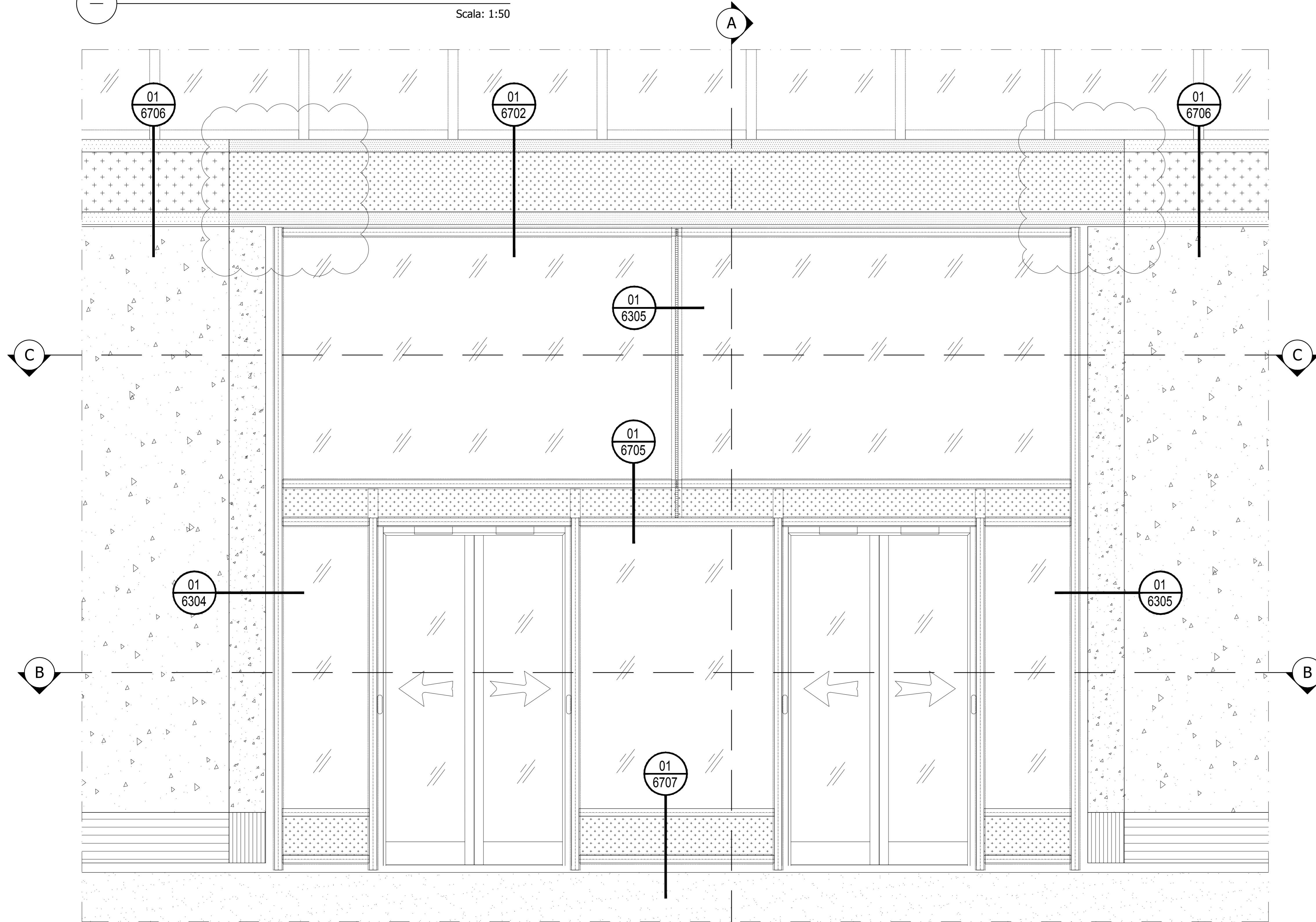
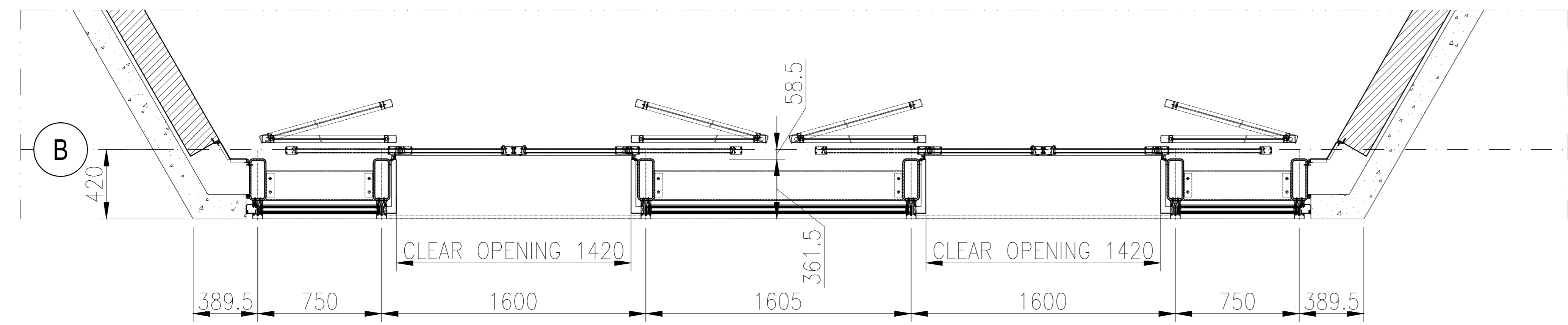


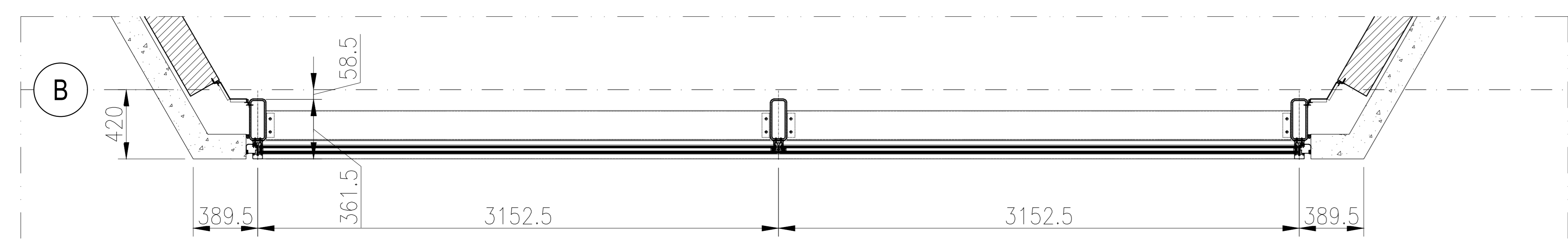
MAIN ENTRANCE ELEVATION 02
Scale: 1:50



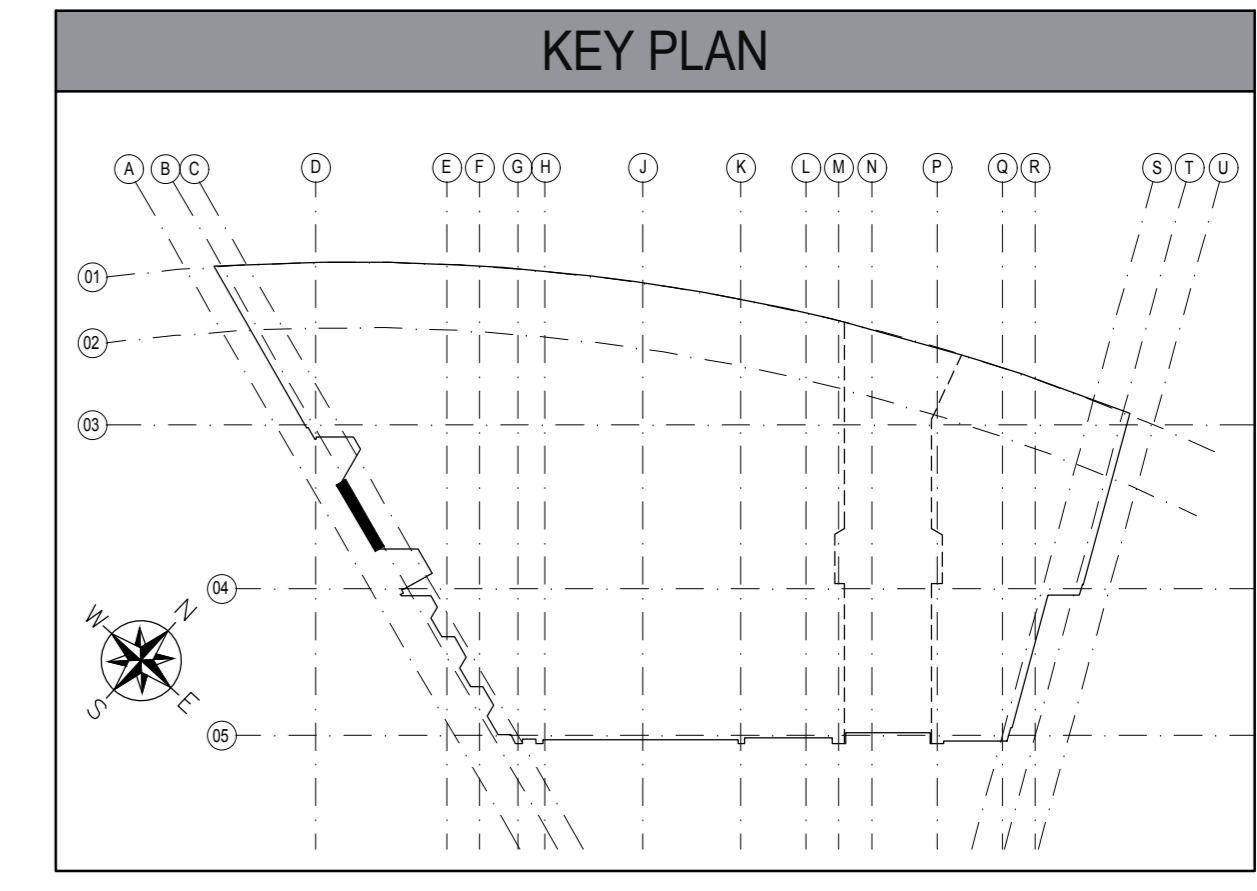
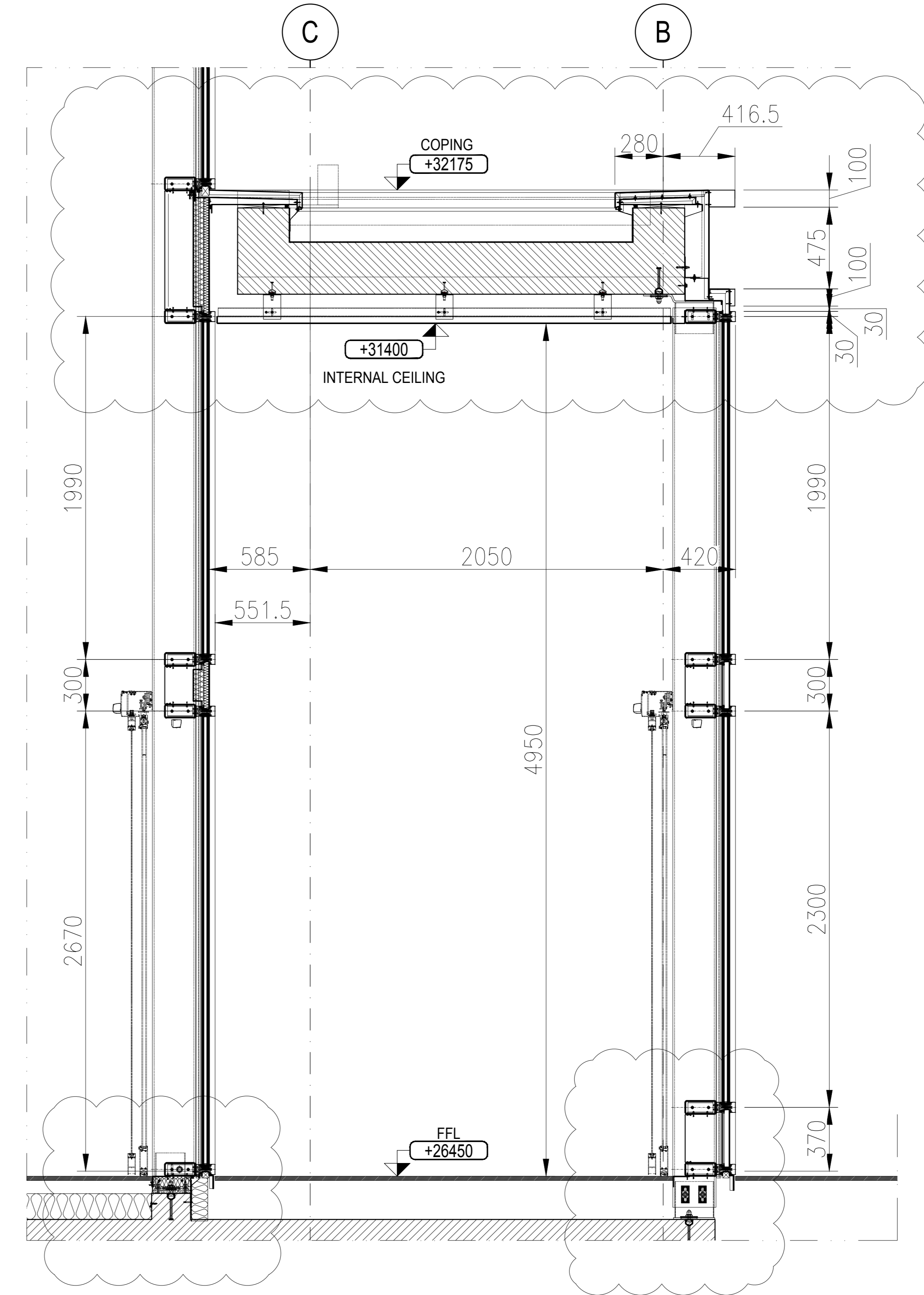
SECTION B-B
Scale: 1:50



SECTION C-C
Scale: 1:50



SECTION A-A
Scale: 1:50



Project :	KING'S CROSS CENTRAL S3 London	Rev	00	Date	04/12/2020	Drafter	F.B.	Checked by	A.V.	Description		File :	KXC-S3-001-Y-FCI-21-4302GF.DWG	Issue :	1:15		
Architect :	*	Rev	01	Date	17/12/2020	Drafter	F. Bartolini	Checked by	A.V.	Description	GENERAL REVISION	Scale :	1:50@A3	Issued for :	CONSTRUCTION PROPOSAL	Job :	S3
Client :	BAM	Rev	02	Date	10/03/2021	Drafter	F. Bartolini	Checked by	A.V.	Description	SEE CLOUD	Dwg.:	KXC-S3-001-Y-FCI-21-4302GF	Rev.:	02		
Package :	Curtain wall																