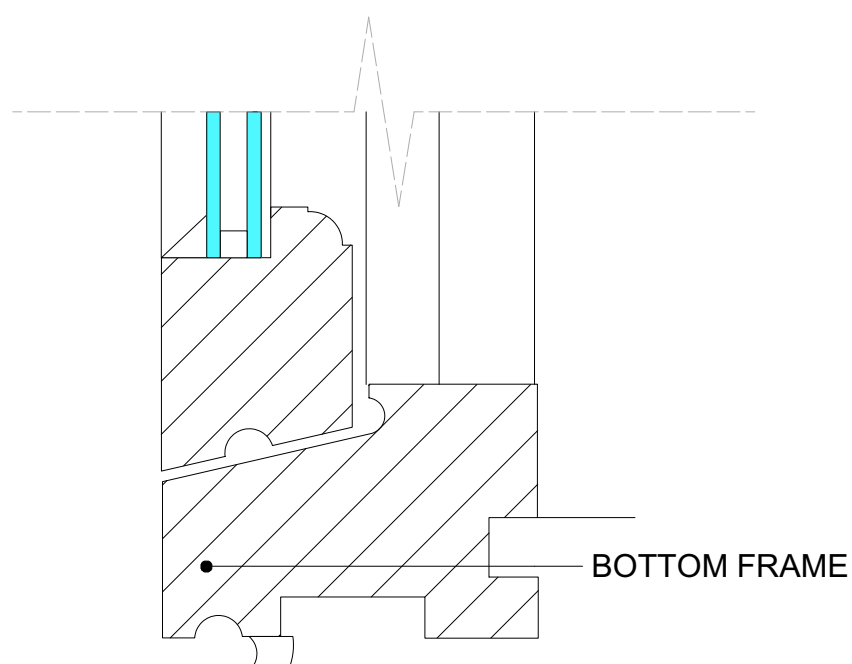
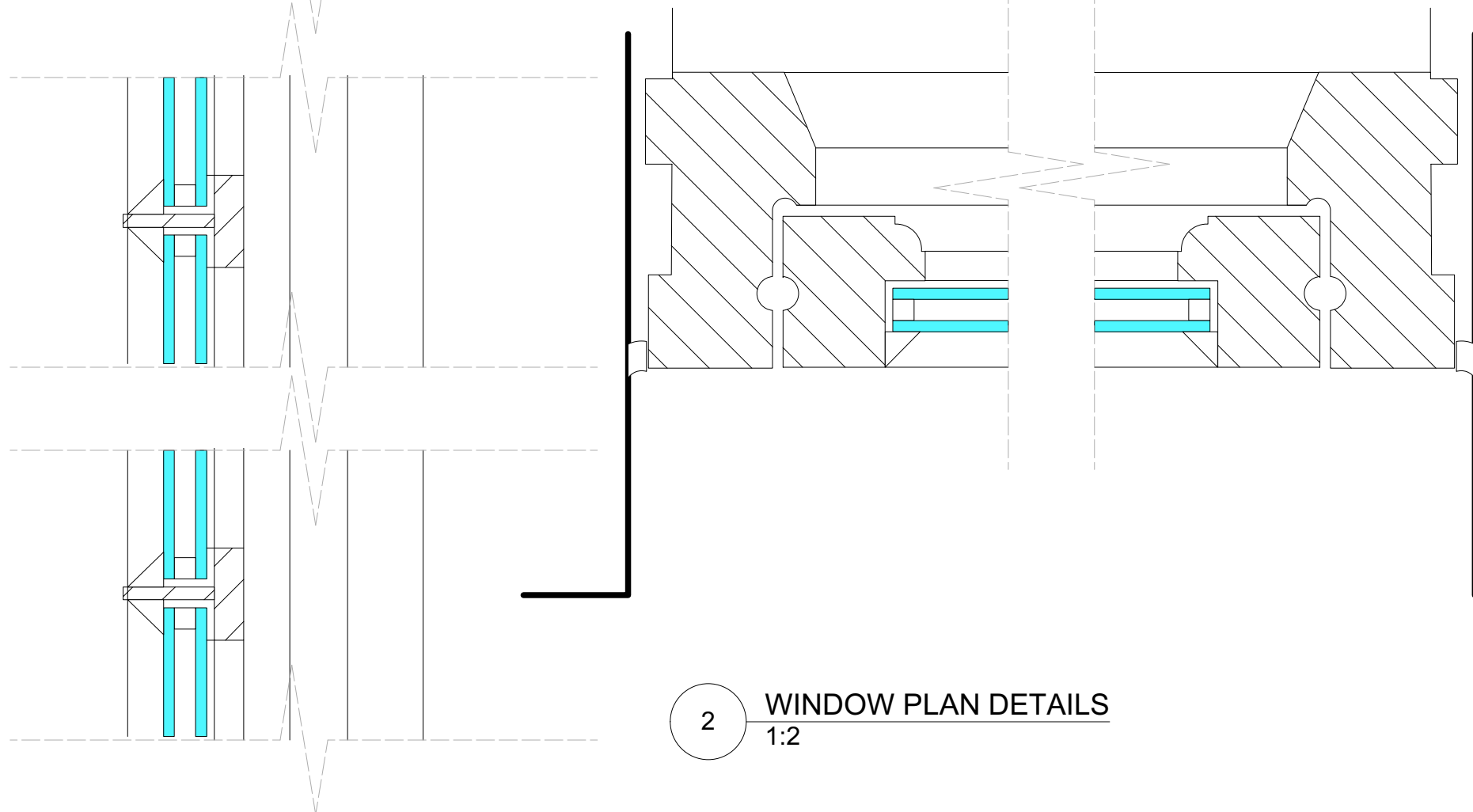
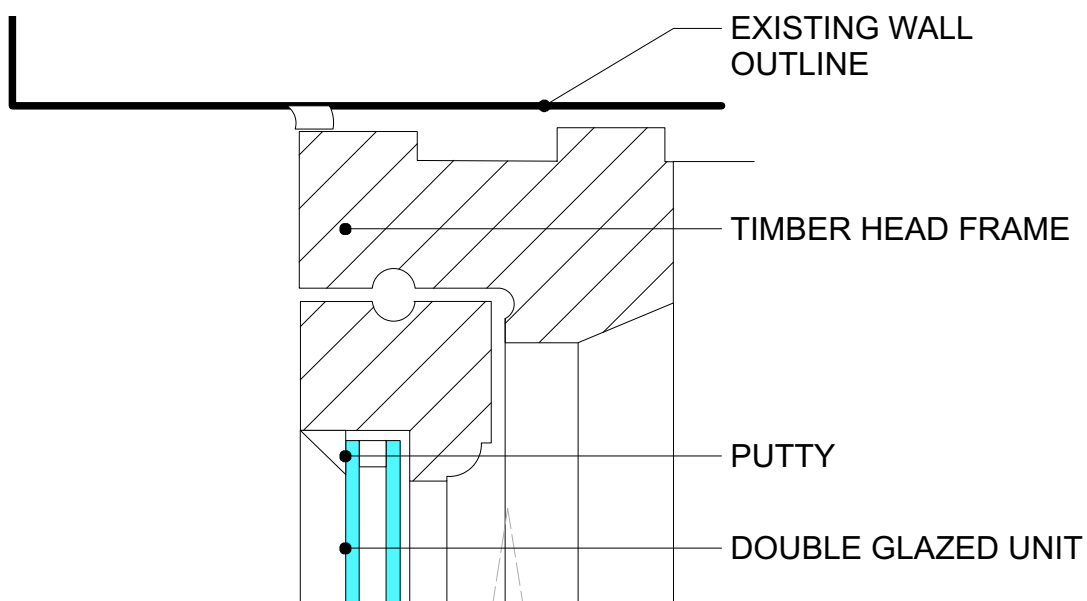


GENERAL NOTES
 DO NOT SCALE FROM DRAWINGS. ALL DIMENSIONS TO BE CHECKED ON SITE. REPORT OMISSIONS AND DISCREPANCIES TO THE ARCHITECT IMMEDIATELY.
 REVISION DATES MARKED ON THE DRAWING ARE STATED IN THE FOLLOWING ORDER: YEAR, MONTH, DAY (YY.MM.DD).
 © MORENO MASEY LTD



1 WINDOW SECTION DETAILS
1:2

P1.	21.11.24.	FOR PLANNING [AS] [DOK]
REV	DATE	NOTES
MorenoMasey		
Working From_Southwark 32 Blackfriars Road, London, SE1 9PB +44 20 3142 6554 morenomasey.com		
PROJECT 6 MARKET HOUSE & ANNEXE		
CLIENT ERWAN TOULEMONDE & SUSI GORBEBY		
DRAWING TITLE PROPOSED WINDOW DETAILS		
SCALE 1:20 & 1:2@A3	DATE NOV 21	DRAWN AS CHECK DOK
PROJECT NO. 21027	DWG NO. 131	REVISION P1