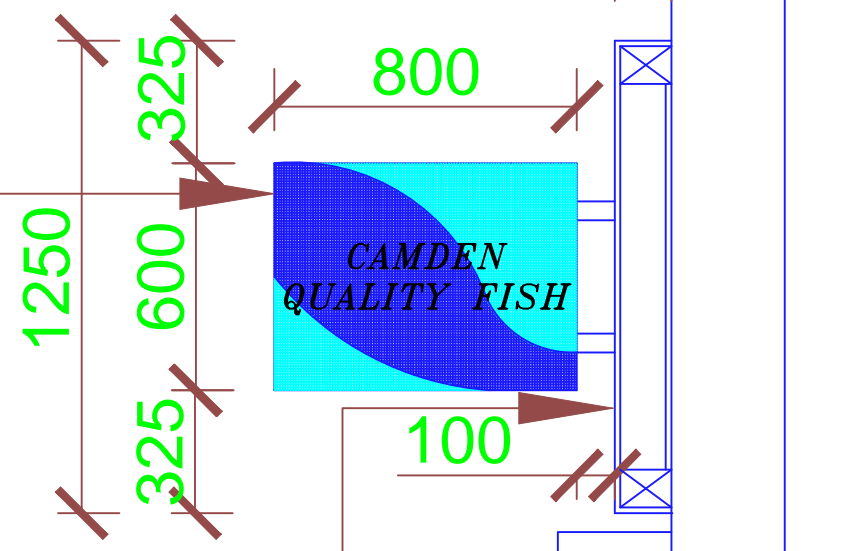


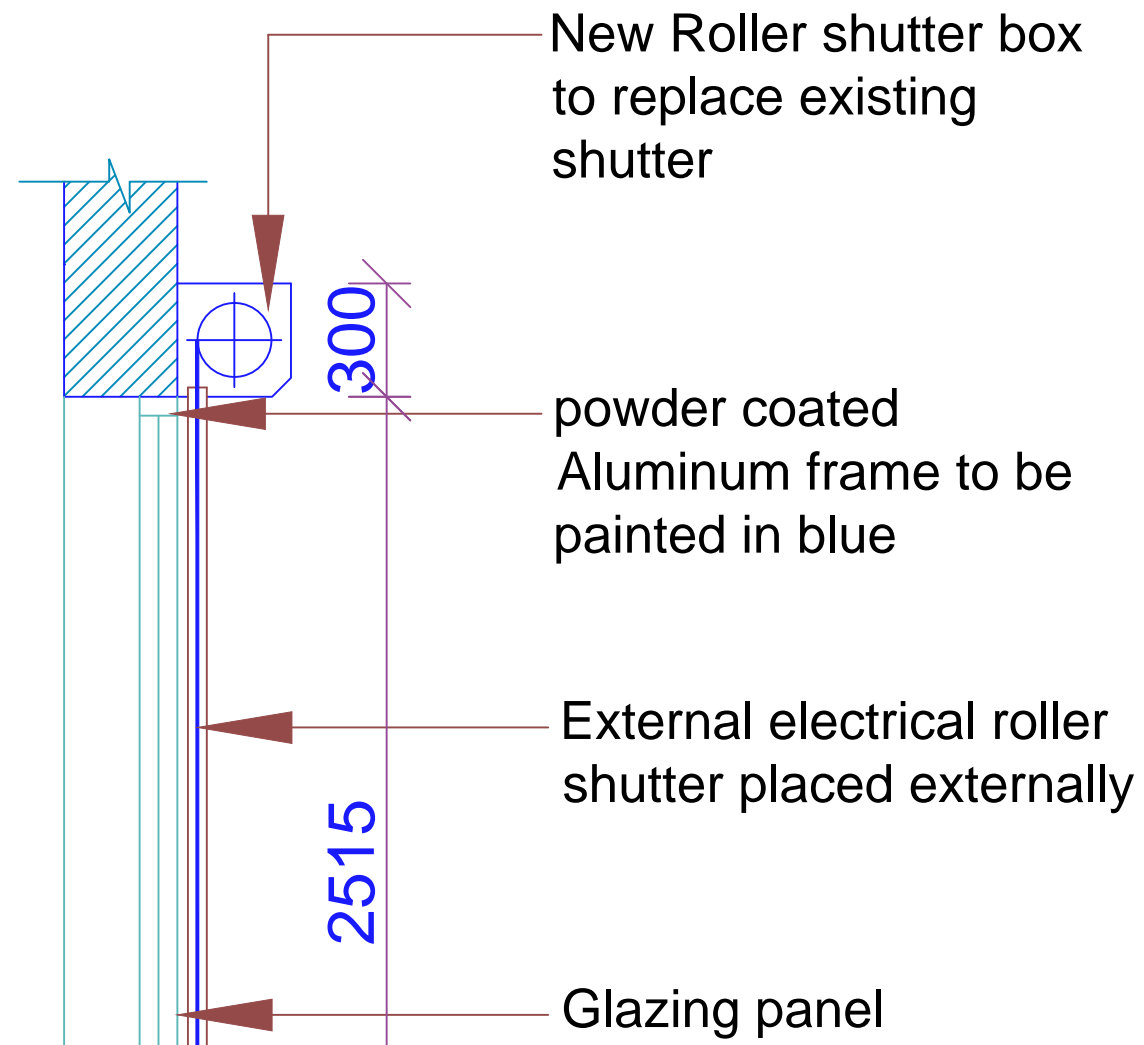
The Contractor is to check all dimensions on site and report any discrepancies to the Contract Administrator. This drawing is to be read in conjunction with all other standard documentation. Dimensions are not to be scaled from this drawing.

1 no. Proposed new internally illuminated L.E.D projecting sign (600mm x 600mm square profile) to be installed to RHS of fascia-logo only to be illuminated



1 no. Proposed new internally illuminated fascia sign to consist of individual built up letters and logo with internal L.E.D illumination. illuminated letterset and logo to be mounted on PPC aluminium backing, finished in Blue.

**SIGN DETAIL SHUTTER DETAIL**

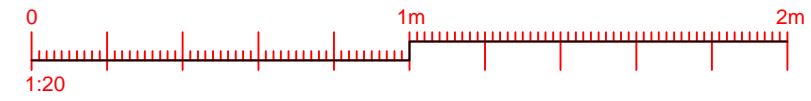


New Roller shutter box to replace existing shutter

powder coated Aluminum frame to be painted in blue

External electrical roller shutter placed externally

Glazing panel



No.	Revision /Issue	Date

**V16 DESIGNZ LTD.**  
 11 Fullerton Avenue  
 Dagenham  
 RM8 1FG  
 TEL: 07852919410  
 EMAIL: V16designz@outlook.com

**Project Name and Address :**  
 35 Camden High Street  
 NW1 7JE

**Client :**  
 Mr Qasim Nasir

**Title :**  
 Side new shutter, glazing and front signs

**Project No :** VD-020-002  
**Drawn by :** GP

**Date :** 15/11/2020  
**Drawing No.:** 002

**Scale :** 1:20@A3