

# Hawley Wharf

## LIGHTING STRATEGY

NOVEMBER 2021  
STATUS: FOR INFORMATION



# Hawley Wharf

## LIGHTING STRATEGY

Project: 1018 - Hawley Wharf

Status: for informationFor Issue

Date, revised: 17.11.2021

Print size: Landscape A3

Client: LabTech Ltd

Copyright: © Light Bureau

LIGHT  
BUREAU  
PART OF AFRY

**Light Bureau Ltd**  
Company Number: 05333484

<https://www.lightbureau.com/>

## CONTENT

<b>01</b>		Lighting Layout .....	<b>3</b>
<b>02</b>		Specification: New Lighting .....	<b>4</b>
<b>03</b>		Specification: Existing Lighting .....	<b>5</b>



# 01 | Lighting Layout

**NOTES:**  
 \*Please retain existing in-ground tree uplights unless explicitly noted otherwise  
 \* Existing in-ground uplights inside arched passageways to be retained.

## L1.V Amenity lighting to inner pathways

Wall mounted luminaire fixed to the viaduct façades:  
 - Above the openings when located in the middle of the arches, or  
 - At the base of the spandrels when shown between the arches.  
 Installation heights to be reviewed and confirmed with site test.

## Existing Lighting

No changes to existing lighting proposed in greyed-out areas.

## L10.A0 Shop front Lighting

Linear LED luminaires integrated within the first floor cornice detail.  
 Aimed down to provide amenity lighting to the shop front.

## L9.A0 Facade Uplighting by Others

Surface mounted spotlights aimed up to provide accent lighting to the brick facade.  
 \*Setting out and installation height by Others

## L5.A1/2 Reveal Lights

Linear LED luminaire with grazer optic for building A2 and washer optic for building A1. To be concealed behind a pelmet detail by contractor.

## L2.A1/2 Amenity lighting to canal side

Wall mounted luminaire installed in the middle of the pilasters. Cable routes and concealment strategy by contractor. To be coordinated with Client.  
 Installation heights to be reviewed and confirmed with site test.

## L7.DE Festoon Lighting

Decorative festoon lighting to provide ambience to the cafe seating area.  
 Harness lines anchored to the building facade and dedicated columns installed within the planter. Installation details to be developed by main contractor and approved by Client.

## L13.A1/2 Existing wall lights

No changes to the existing wall lights on buildings DE.

## L11.V Existing in-ground uplights

Simes Zip. S/w replacement lens engine and instructions for contractor to swap.  
 Beam angles to be tested on site.

## L6b.DE Column Uplights

Miniature LED inground uplights. Medium beam light distribution to provide accent lighting to the café columns.  
 Installation detail and cable routes by main contractor.

## L3/4.DE Amenity lighting to canal side

Lantern installed on custom Pole at ca.3.5m height. Installation in hard landscape recommended.  
 L3 longitudinal light distribution in narrower areas. L4 transversal distribution in wider areas.

## L12.A1/2 Existing wall lights

No changes to the existing wall lights on buildings A1/A2.

## L8.DEx4

Can-shaped wall light mounted on the columns to provide a soft uplighting effect to the ceiling and amenity downlighting to the cafe area.  
 Indicative installation height 2.1m.  
 Cable routes and concealment by main contractor.

## L6a.DE Reveal Lighting

Miniature LED inground uplights. Elliptical beam light distribution to highlight window reveals. Installation detail and cable routes by main contractor.

New Lighting ●  
 Existing Lighting ○

SCALEBAR 1 : 1.891 (METRES)

0 1 5 20 50





## 02 | Specification: New Lighting

L1



**Location:** Viaduct (V)  
**Manufacturer/Product:** iGuzzini / Lander ALW2  
**Output/Wattage/Eff:** 1260lm/ 13.8W  
**Colour temperature:** 3000 K  
**Specification:** Wall light with asymmetric longitudinal light distribution. Finish TBC by Client.

L2



**Location:** Buildings A1 and A2  
**Manufacturer/Product:** iGuzzini / Lander ALW2  
**Output/Wattage:** 1260lm, 13.8W.  
**Colour temperature:** 3000 K  
**Specification:** Wall light with asymmetric longitudinal light distribution. Finish TBC by Client.

L3



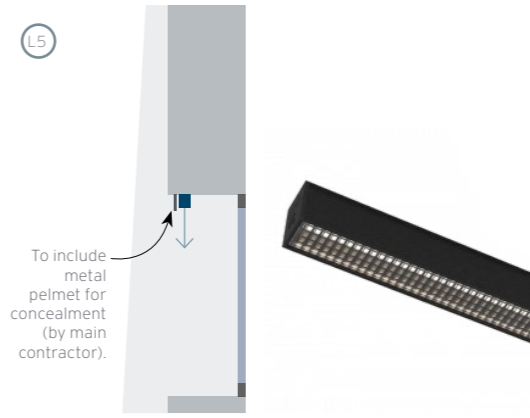
**Location:** Building DE  
**Manufacturer/Product:** iGuzzini / Lander ALW2  
**Output/Wattage:** 1260lm/, 13.8W.  
**Colour temperature:** 3000 K  
**Specification:** Luminaire fixed to a custom pole (height approx. 3.5m). Asymmetric longitudinal distribution. Finish TBC by Client.

L4



**Location:** Building DE  
**Manufacturer/Product:** iGuzzini / Lander ALW3  
**Output/Wattage:** 1260lm/, 13.8W.  
**Colour temperature:** 3000 K  
**Specification:** Luminaire fixed to a custom pole (height approx. 3.5m). Asymmetric transversal distribution. Finish TBC by Client.

L5



**Location:** Building A1/2  
**Manufacturer/Product:** Lumino / V2OS OP-TIC - Colour Core - IP67 - with Louvre  
**Output/Wattage:** 420/480lm/m, 6W/m.  
**Colour temperature:** 3000 K  
**Specification:** Grazer optic for building A2 and washer optic for building A1. Finish TBC.

L6a



**Location:** Building DE  
**Manufacturer/Product:** iGuzzini / Light Up Orbit ER83 700mA + X490 casing  
**Output/Wattage:** 158lm, 2W  
**Colour temperature:** 3000 K  
**Specification:** Elliptical beam distribution. Providing uplighting to the canal side reveals. Finish TBC.

L6b



**Location:** Building DE  
**Manufacturer/Product:** iGuzzini / Light Up Orbit ER72 700mA + X490 casing  
**Output/Wattage:** 3.8lm, 338W  
**Colour temperature:** 3000 K  
**Specification:** Medium beam distribution. Installed between columns uplighting the wider reveals. Finish TBC.

L7



**Location:** Building DE  
**Manufacturer/Product:** Lumisphere / Orbical LED Large Harness. G type globes  
**Output/Wattage:** 60lm/module, 1W/module  
**Colour temperature:** 3000 K  
**Specification:** Decorative festoon lighting to provide ambient illumination to the cafe seating area. Black lamp holder and cables.

L8



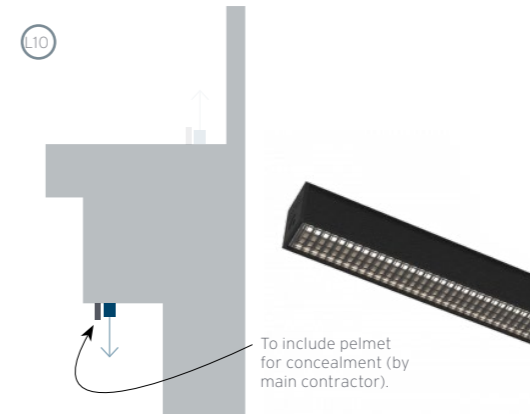
**Location:** Building AO  
**Manufacturer/Product:** iGuzzini / iRoll BA95  
**Output/Wattage:** 549lm, 8.6W.  
**Colour temperature:** 3000 K  
**Specification:** Wide beam distribution wall light. Fixed to columns to provide a soft uplighting effect and amenity downlighting to the cafe area.

L9



**Location:** Building AO  
**Manufacturer/Product:** iGuzzini / Palco InOut Q698\*  
**Output/Wattage:** 1173lm, 12W.  
**Colour temperature:** 3000 K  
**Specification:** Adjustable LED spotlight surface mounted to facades to uplight the brick elevations between windows. Beam angle, optical and anti-glare accessories to be tested and confirmed with site mock-up.

L10



**Location:** Building AO  
**Manufacturer/Product:** Lumino / V2OS GRAZE - Colour Core - IP67 - with Louvre  
**Output/Wattage:** 830lm/m, 12W.  
**Colour temperature:** 3000 K  
**Specification:** Linear LED luminaire integrated within the cornice detail. Aimed down to provide amenity lighting. Finish TBC.

## 03 | Specification: Existing Lighting

EXISTING



**Location:** Viaduct (V)

**Corresponding Reference:** SXD-1

**Manufacturer/Product:** Simes / ZIP

**Output/Wattage:** 848lm, 16W.

**Colour temperature:** 3000 K

**Specification:** Existing in-ground uplights along the viaduct.

Optional replacement lens and new LED engine kit for the existing luminaire body are proposed to improve the light distribution and soften the effect on the viaduct walls. TBC by client.

EXISTING



**Location:** A1/A2

**Corresponding Reference:** SXA-1

**Manufacturer/Product:** Simes / Minikeen

**Output/Wattage:** 647lm, 8.9W.

**Colour temperature:** 3000 K

**Specification:** Existing wall lights between ceramic slats.

EXISTING



**Location:** DE/C2

**Corresponding Reference:** SXA-2

**Manufacturer/Product:** Simes / Skill

Rectangular

**Output/Wattage:** 378lm, 13.5W.

**Colour temperature:** 3000 K

**Specification:** Existing low level wall lights.

### NOTES:

\*Please note specification of existing luminaires is assumed based on available information (Sitewide Services Luminaire Schedule - 47075005-ACM-SW-XX-E-001 Revision C1 from May 2017). Exact product locations, quantity, characteristics and condition to be assessed on site by contractor.

# Inspiring Light

LIGHT  
BUREAU  
PART OF AFRY

London | Unit 7F, 5 Hewlett House, Havelock Terrace,  
London SW8 4A

Copenhagen | Lyskær 3EF  
Herlev

Oslo | Lilleakerveien 8  
Lysaker

Trondheim | Bassengbakken 1

Bergen | Media City Bergen  
Lars Hilles gate 30

Stockholm | Frösundaleden 2A  
Solna

Malmö | Hallenborgs gata 4

Gothenburg | Grafiska vägen 2