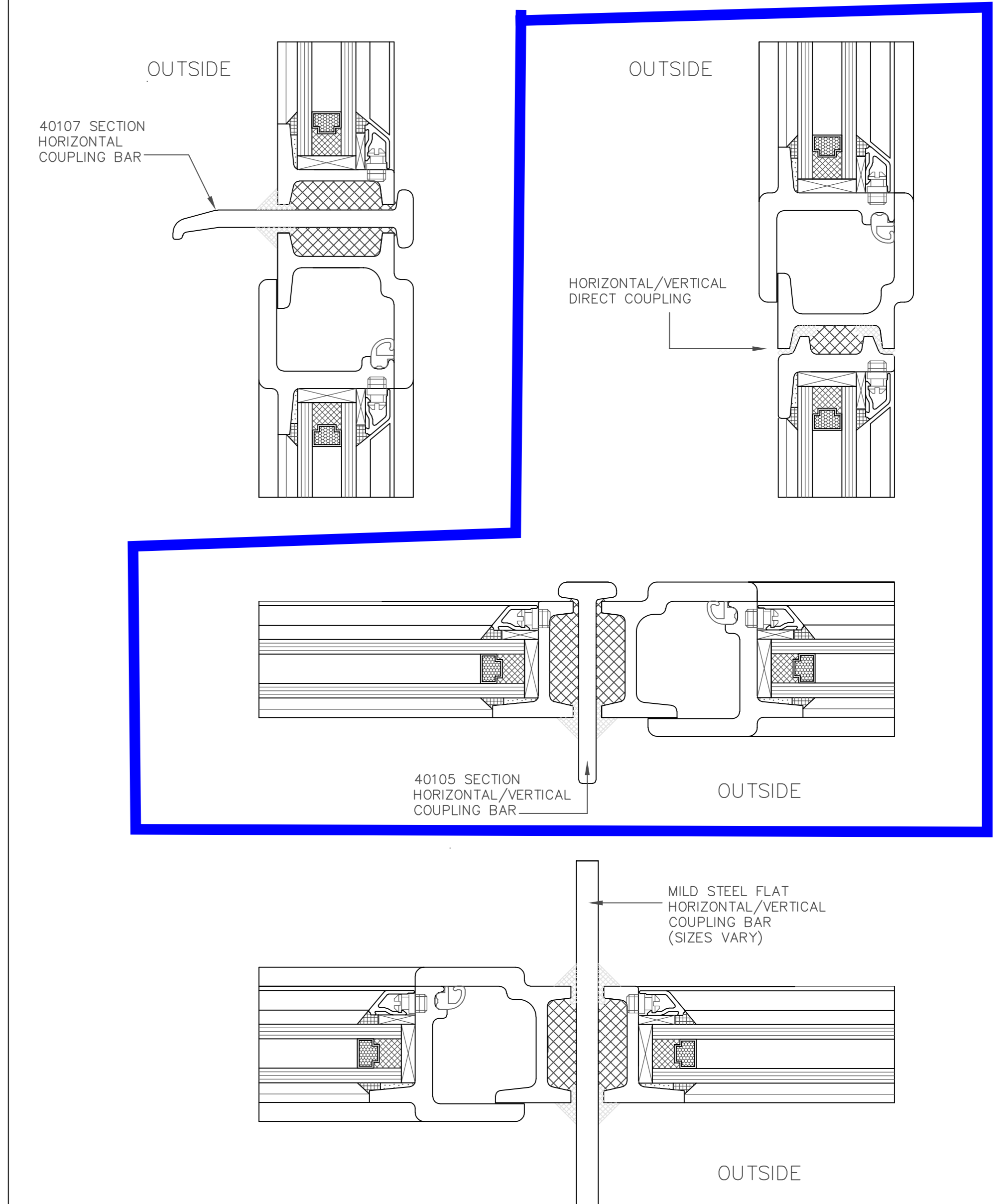
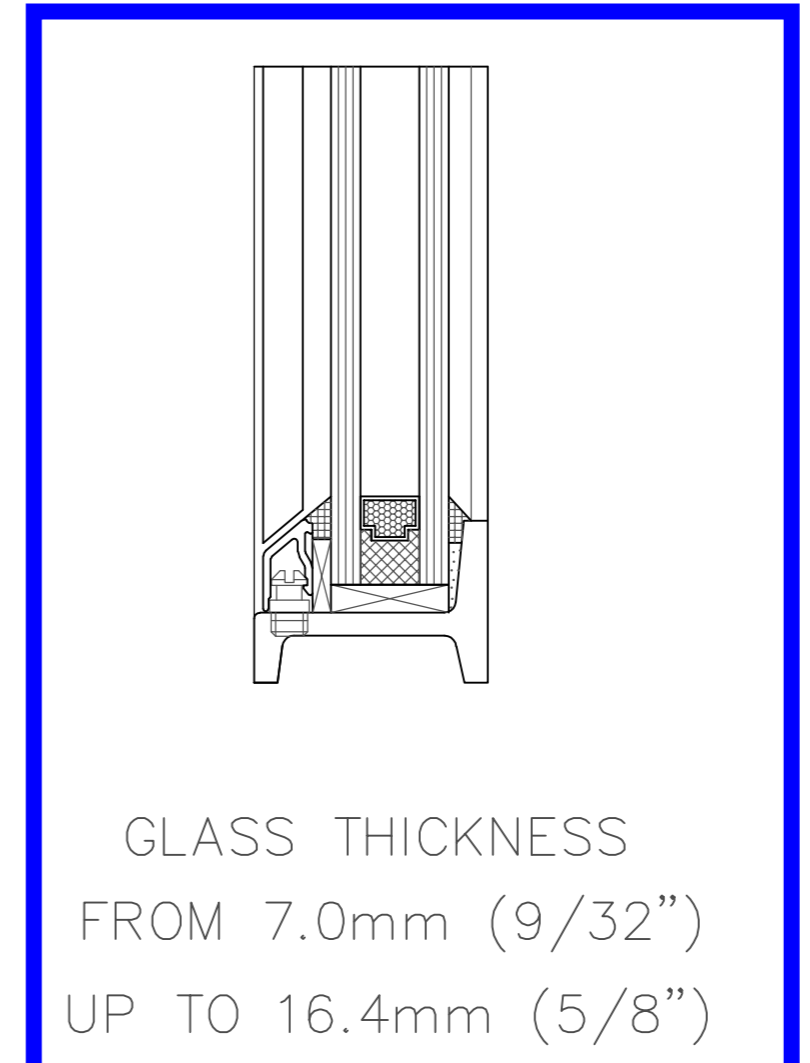
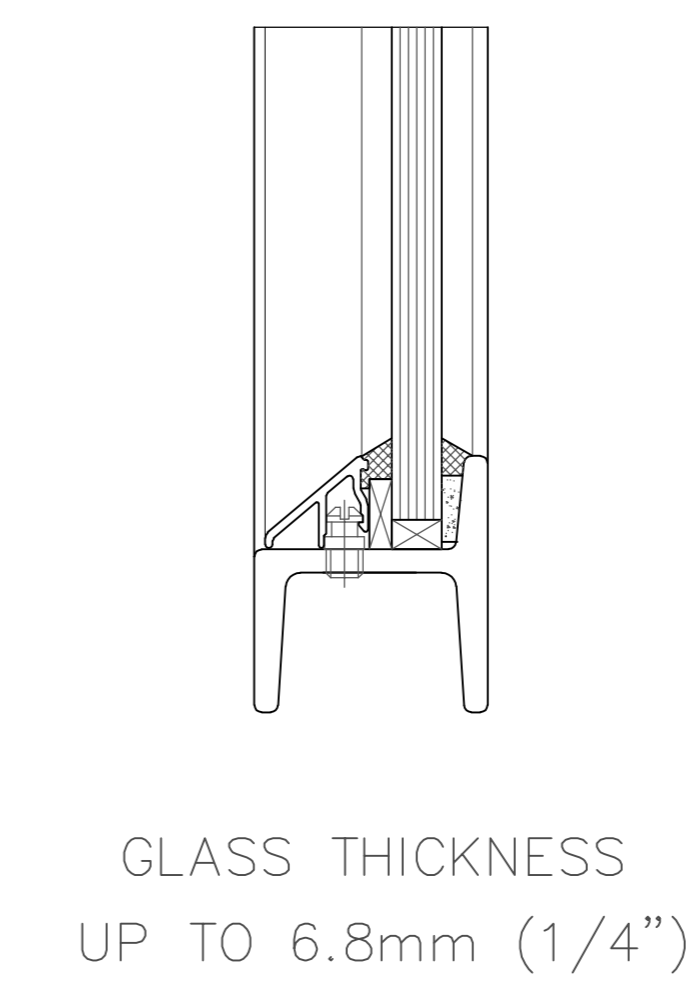
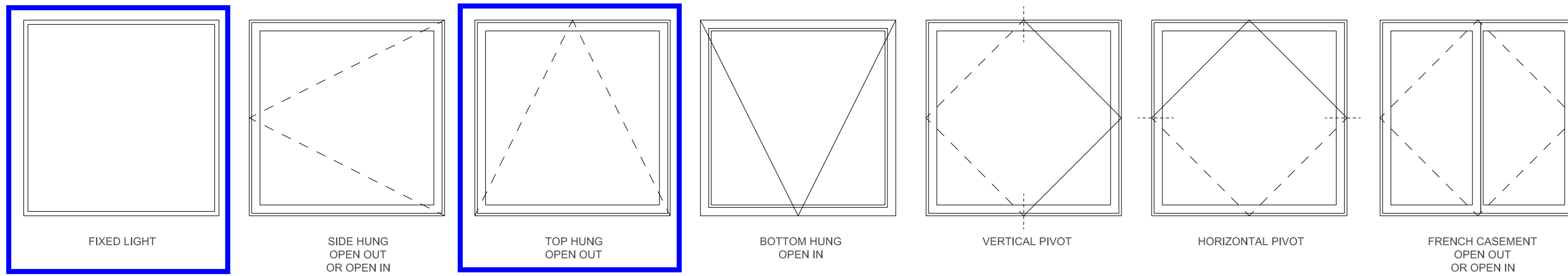
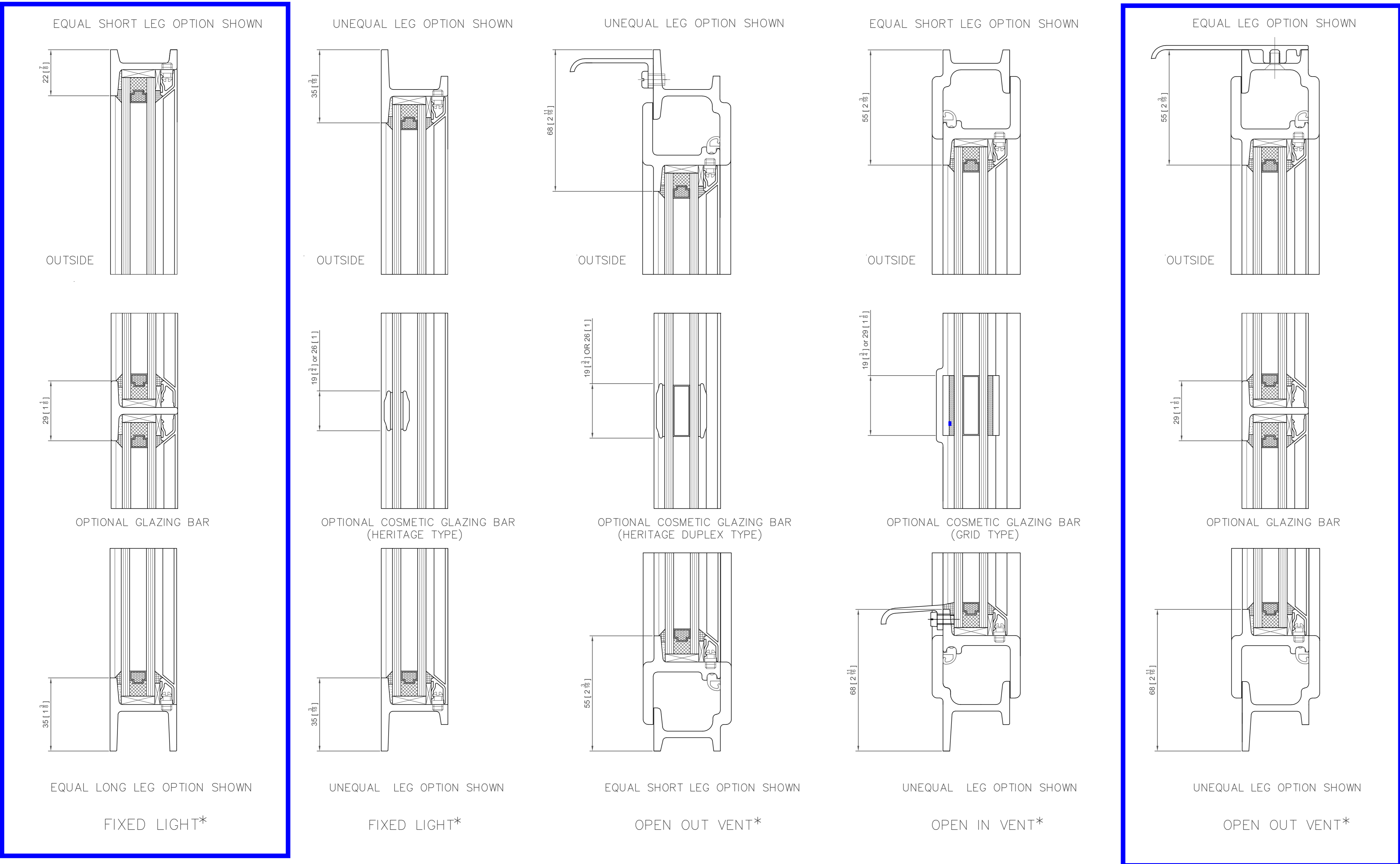


PRODUCT RANGE

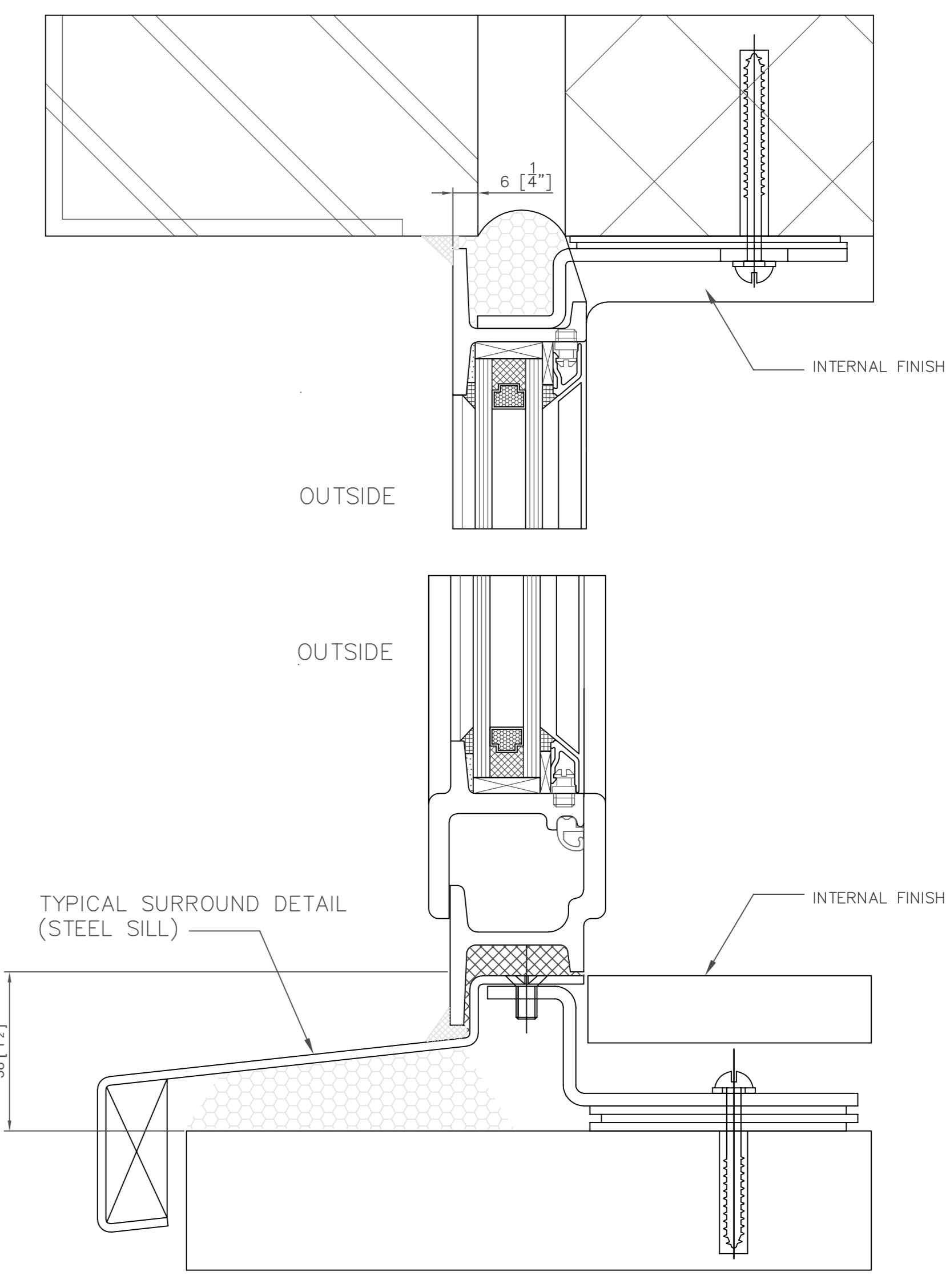
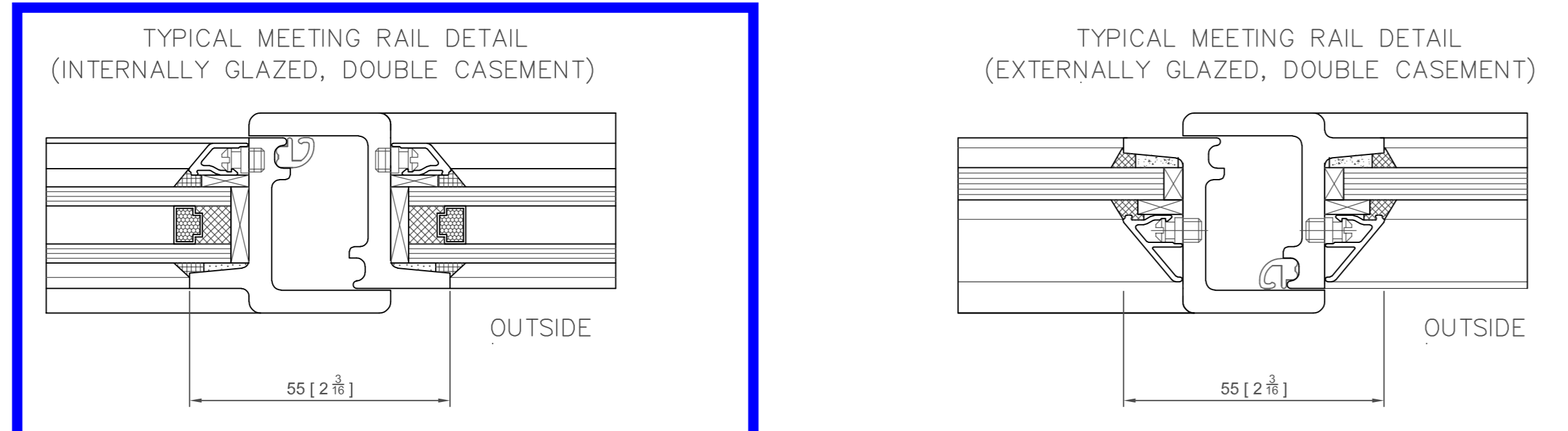


GLAZING OPTIONS

TYPICAL COUPLING DETAILS



JAMB DETAILS SIMILAR TO HEAD AND CILL



TYPICAL SURROUND DETAIL

*NOTE: EXTERIOR GLAZED CONFIGURATION, WEATHERBAR DESIGN AND PROFILE OPTIONS ARE AVAILABLE. CONTACT CRITTALL FOR DETAILS