

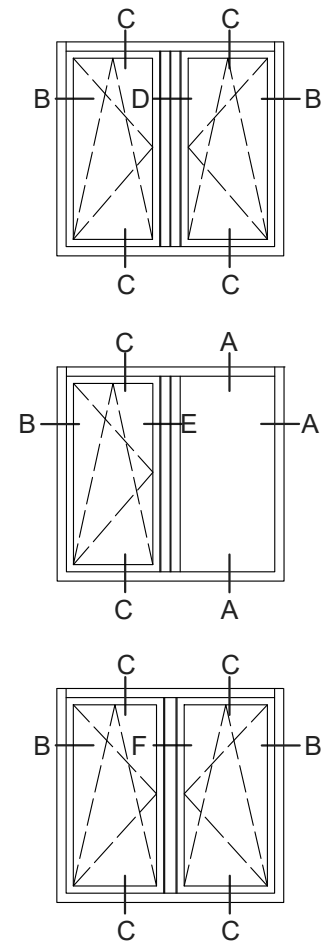
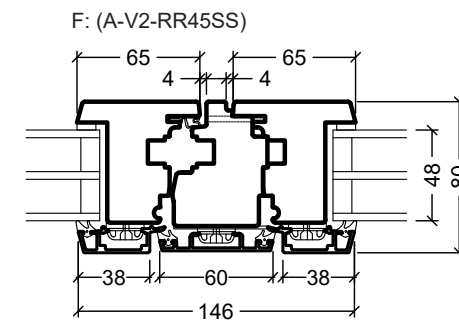
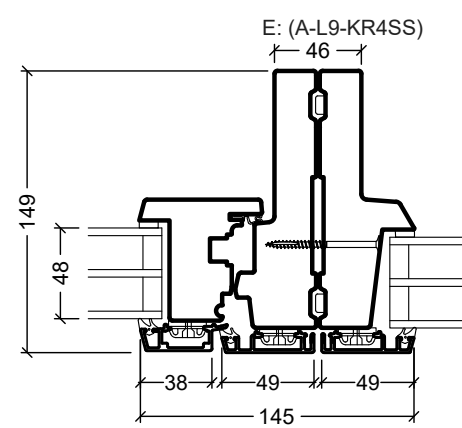
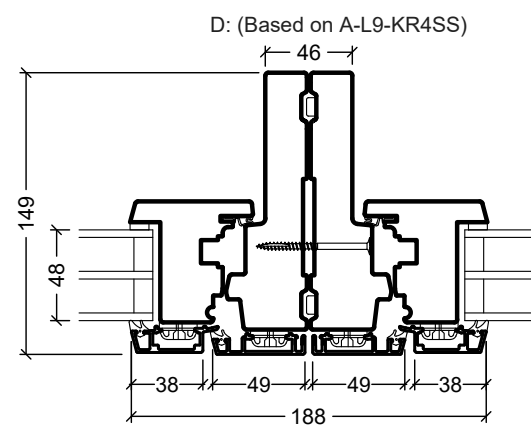
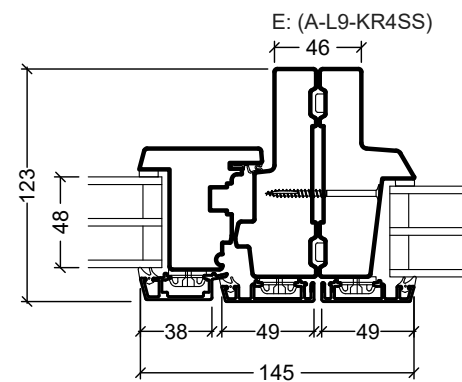
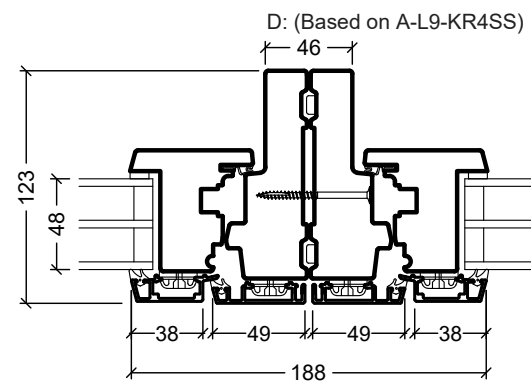
VELFAC®

VELFAC is a trademark of DOVISTA A/S

System: VELFAC In
 English: Standard details
 Dansk: Standard snit

Scale: 1:4 / 1:40
 Edition No. 07
 01.21 © 2014, 2021

© DOVISTA A/S, CVR-no. 21147583. All intellectual property rights, copyright as well as all rights in know-how vest in DOVISTA A/S. This drawing may not be reproduced, stored, or transmitted in any form by any means (electronic, mechanical, photocopying, recording or otherwise) without the prior written consent of DOVISTA A/S. This drawing is to be used only for the purposes specified by DOVISTA A/S and for no other purpose. We reserve all rights to change the product and product range without notice.



VELFAC®

VELFAC is a trademark of DOVISTA A/S

System: VELFAC In

English: Mullions

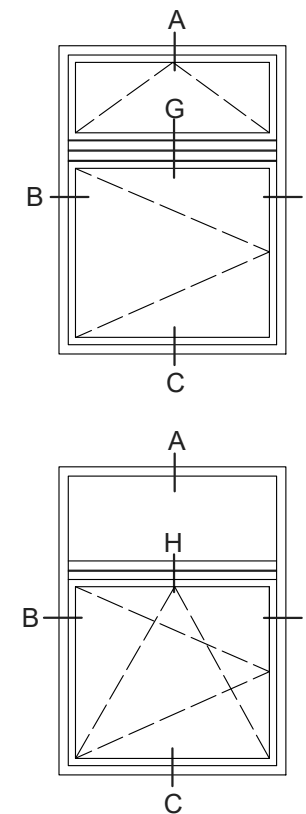
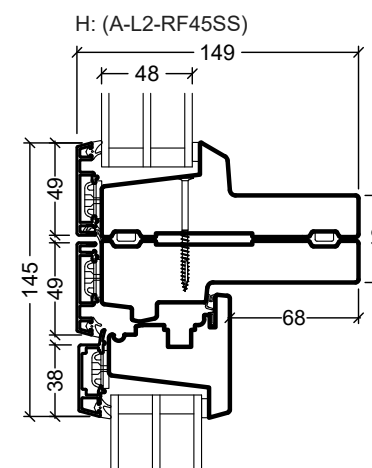
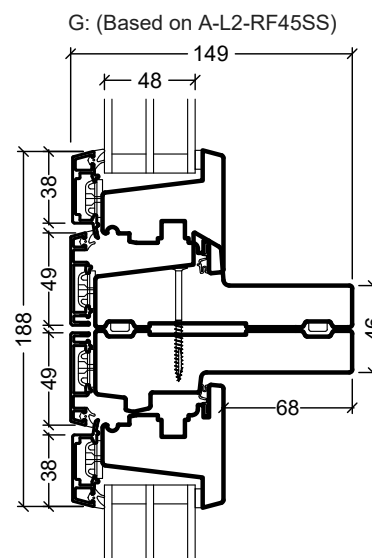
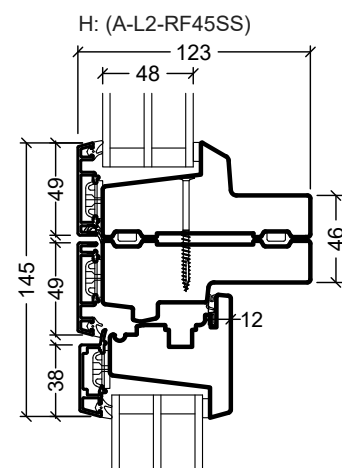
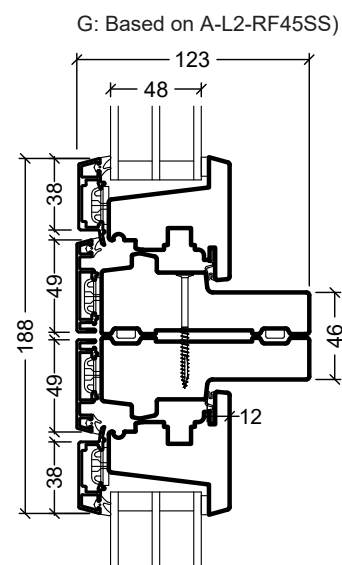
Dansk: Lodpost

Scale: 1:4 / 1:40

Edition No. 07

01.21 © 2014, 2021

© DOVISTA A/S, CVR-no. 21147583. All intellectual property rights, copyright as well as all rights in know-how vest in DOVISTA A/S. This drawing may not be reproduced, stored, or transmitted in any form by any means (electronic, mechanical, photocopying, recording or otherwise) without the prior written consent of DOVISTA A/S. This drawing is to be used only for the purposes specified by DOVISTA A/S and for no other purpose. We reserve all rights to change the product and product range without notice.



VELFAC is a trademark of DOVISTA A/S

System: VELFAC In

English: Transoms

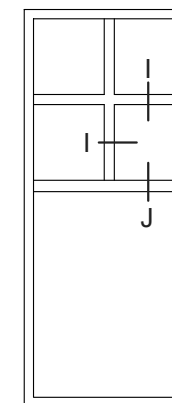
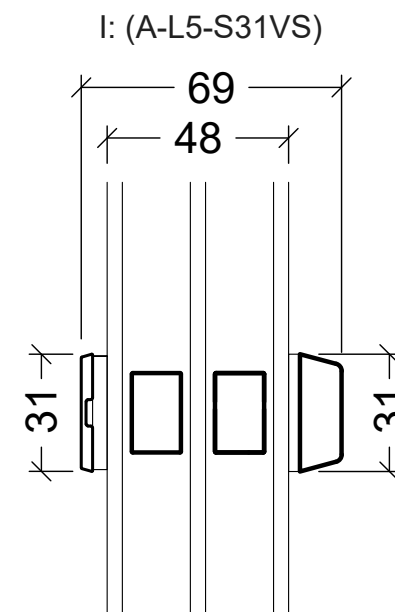
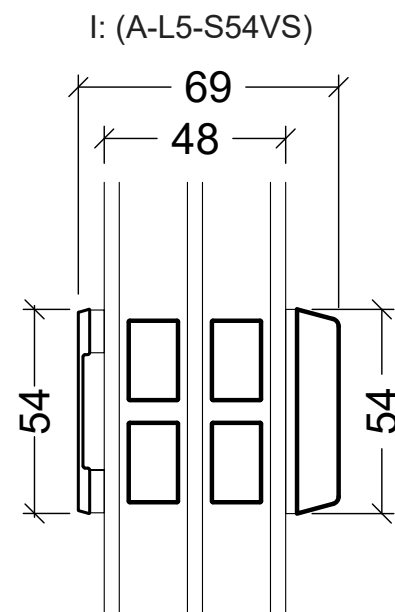
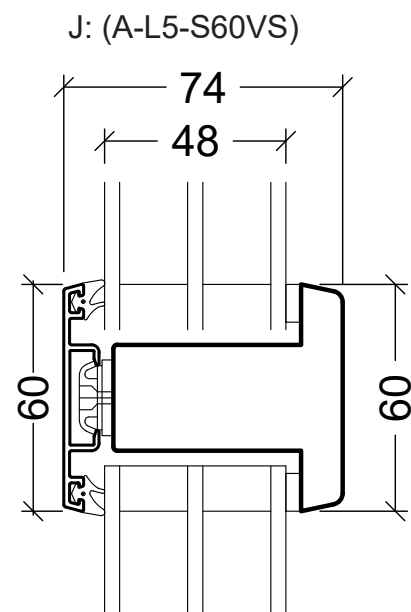
Dansk: Tværpost

Scale: 1:4 / 1:40

Edition No. 07

01.21 © 2014, 2021

© DOVISTA A/S, CVR-no. 21147583. All intellectual property rights, copyright as well as all rights in know-how vest in DOVISTA A/S. This drawing may not be reproduced, stored, or transmitted in any form by any means (electronic, mechanical, photocopying, recording or otherwise) without the prior written consent of DOVISTA A/S. This drawing is to be used only for the purposes specified by DOVISTA A/S and for no other purpose. We reserve all rights to change the product and product range without notice.



VELFAC®

VELFAC is a trademark of DOVISTA A/S

System: VELFAC In

English: Glazing bars

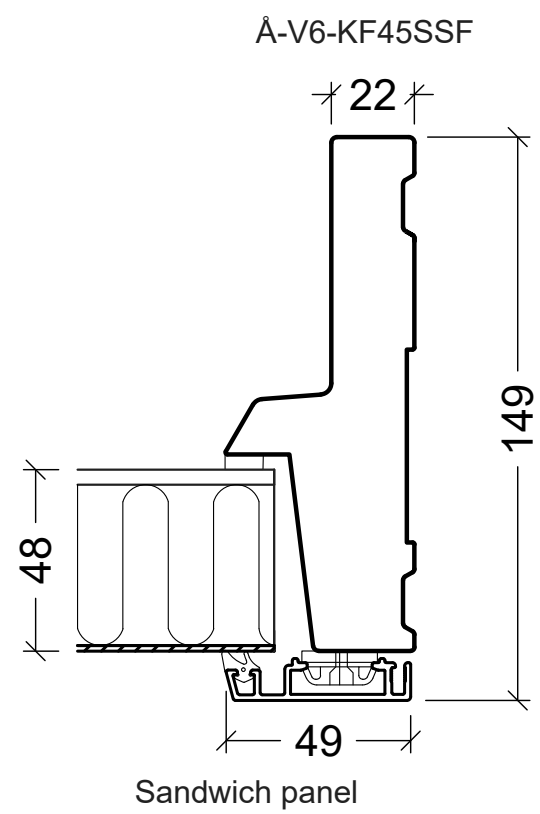
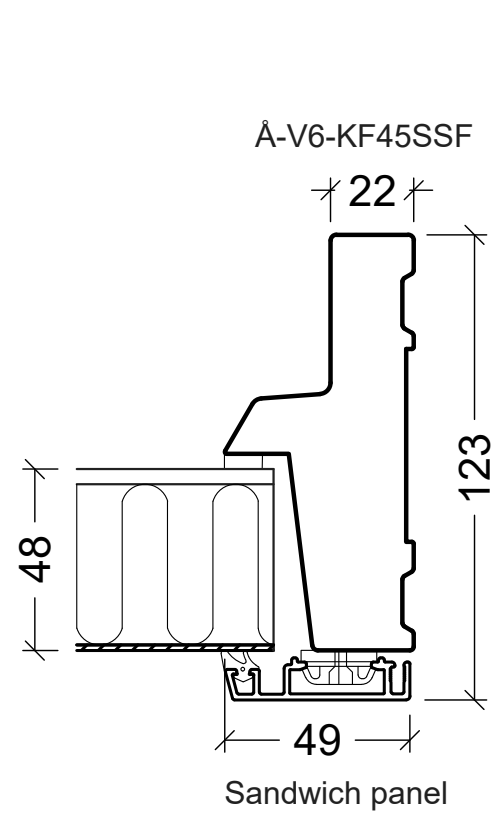
Dansk: Sprosser

Scale: 1:2 / 1:40

Edition No. 07

01.21 © 2014, 2021

© DOVISTA A/S, CVR-no. 21147583. All intellectual property rights, copyright as well as all rights in know-how vest in DOVISTA A/S. This drawing may not be reproduced, stored, or transmitted in any form by any means (electronic, mechanical, photocopying, recording or otherwise) without the prior written consent of DOVISTA A/S. This drawing is to be used only for the purposes specified by DOVISTA A/S and for no other purpose. We reserve all rights to change the product and product range without notice.



VELFAC®

VELFAC is a trademark of DOVISTA A/S

System: VELFAC In

English: Panels

Dansk: Fyldninger

Scale: 1:2

Edition No. 07

01.21 © 2014, 2021

© DOVISTA A/S, CVR-no. 21147583. All intellectual property rights, copyright as well as all rights in know-how vest in DOVISTA A/S. This drawing may not be reproduced, stored, or transmitted in any form by any means (electronic, mechanical, photocopying, recording or otherwise) without the prior written consent of DOVISTA A/S. This drawing is to be used only for the purposes specified by DOVISTA A/S and for no other purpose. We reserve all rights to change the product and product range without notice.