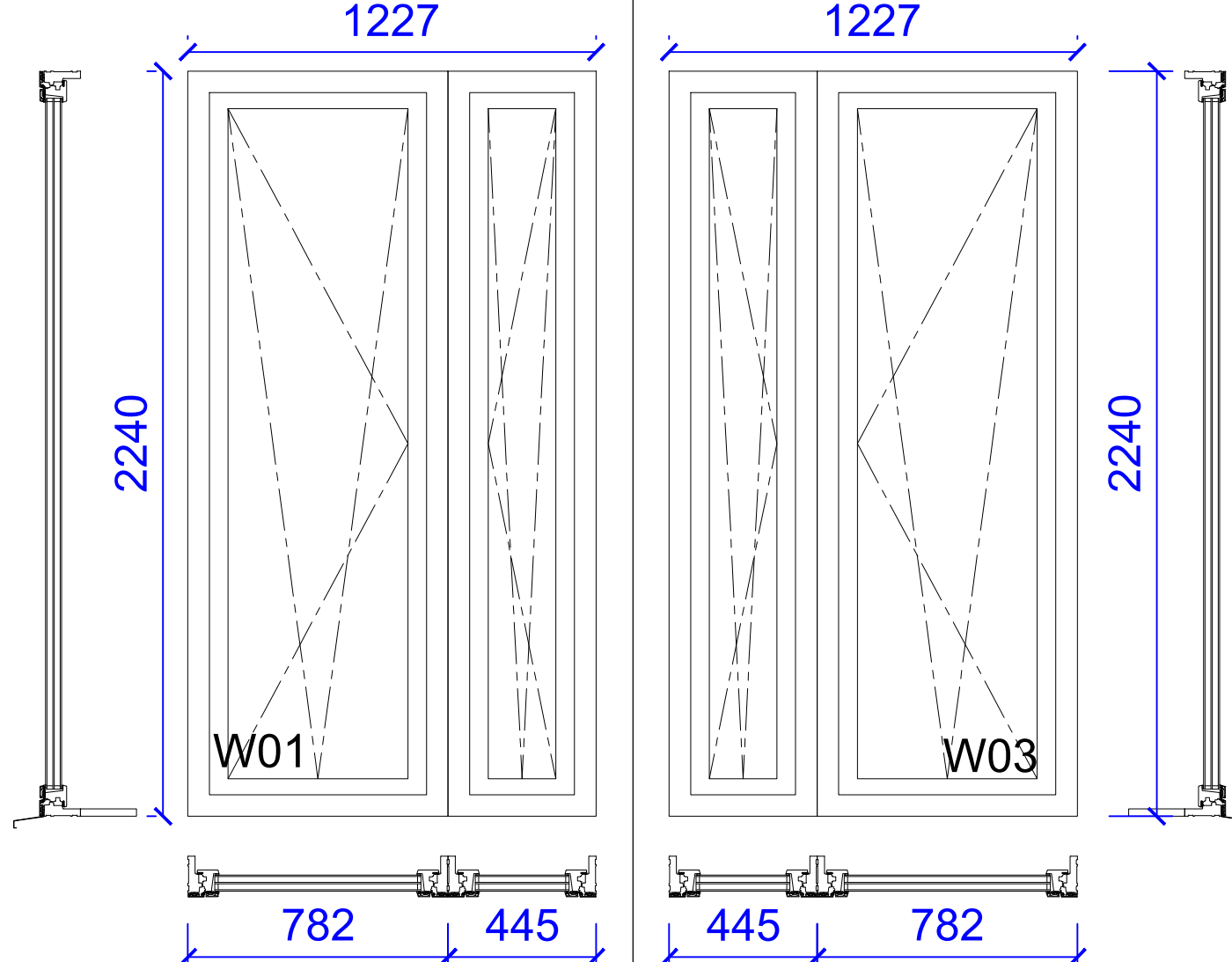
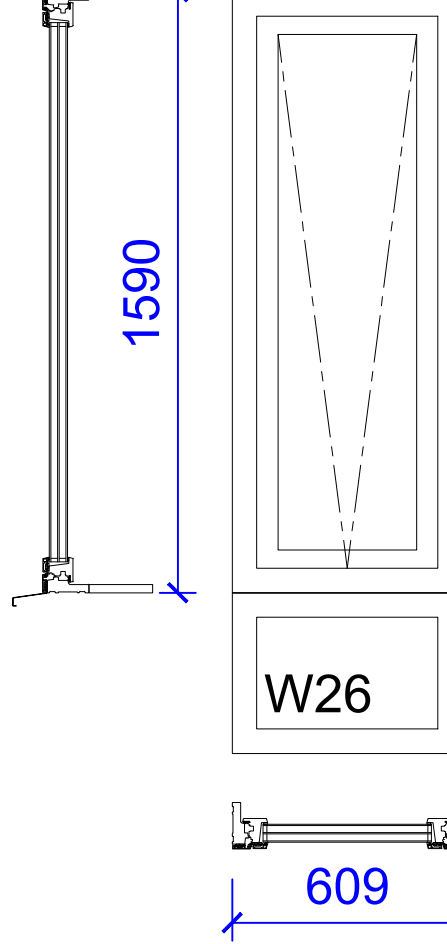
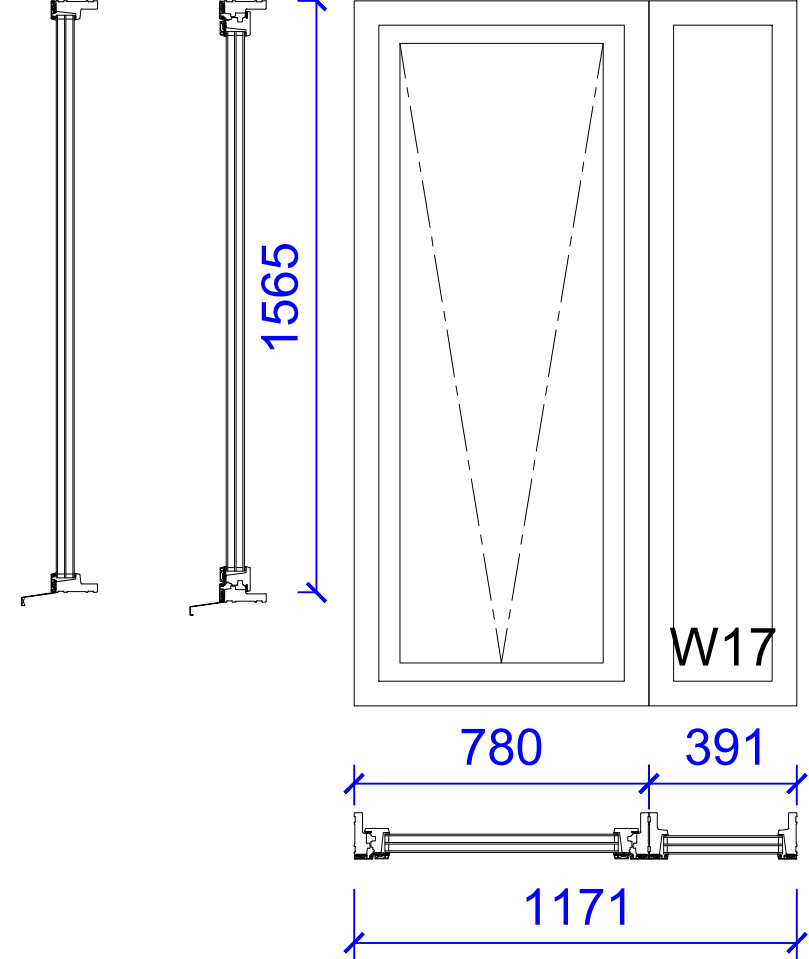
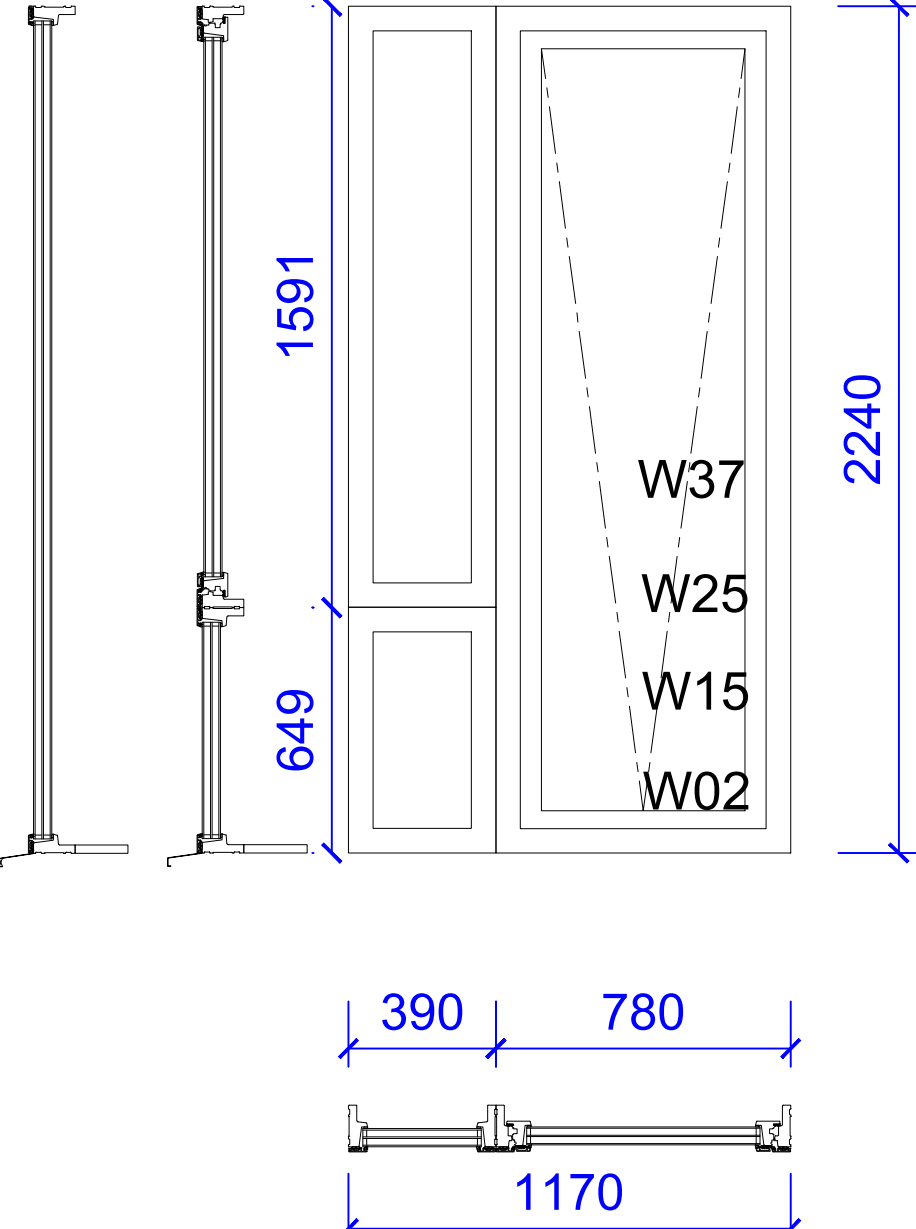
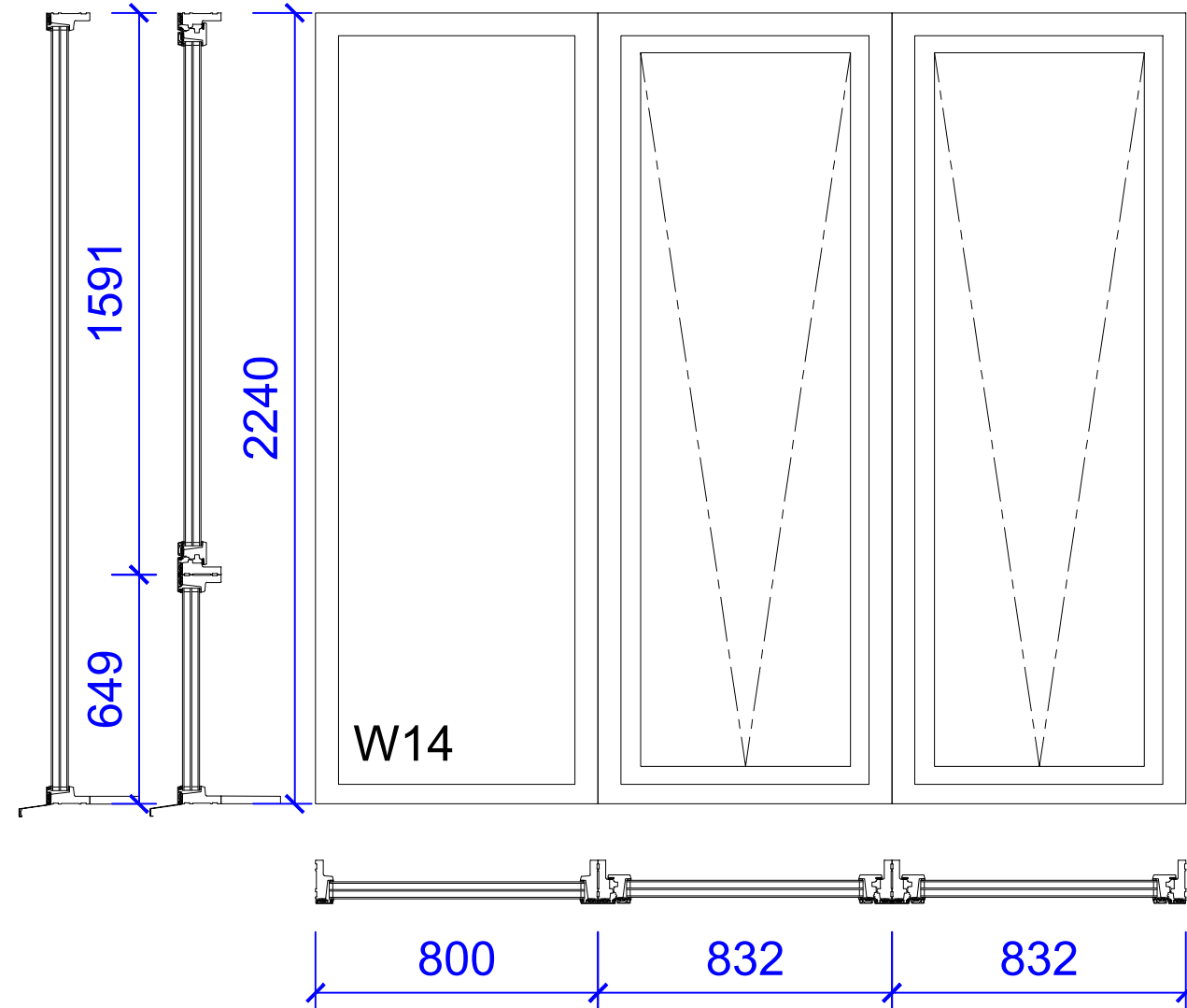
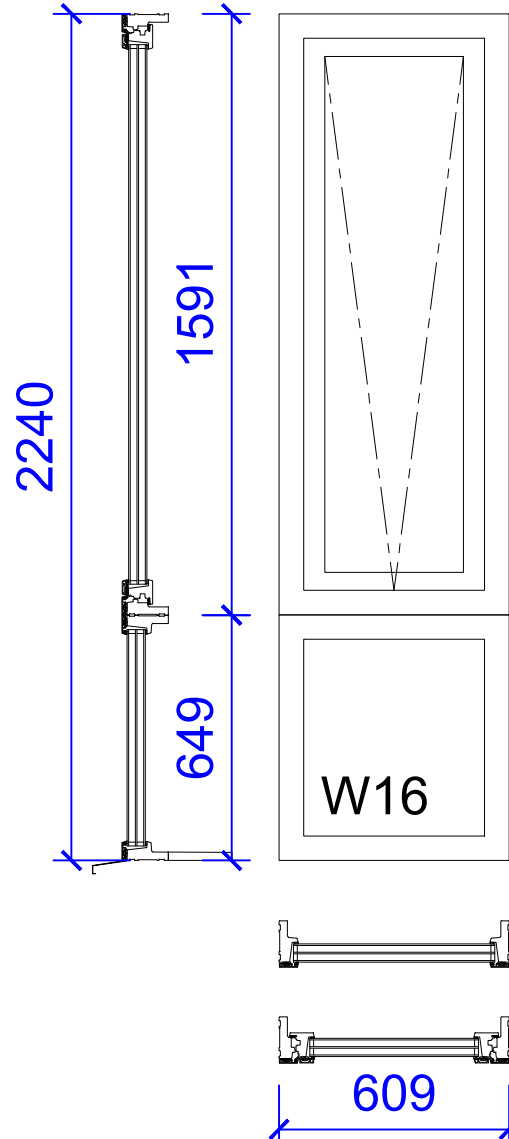
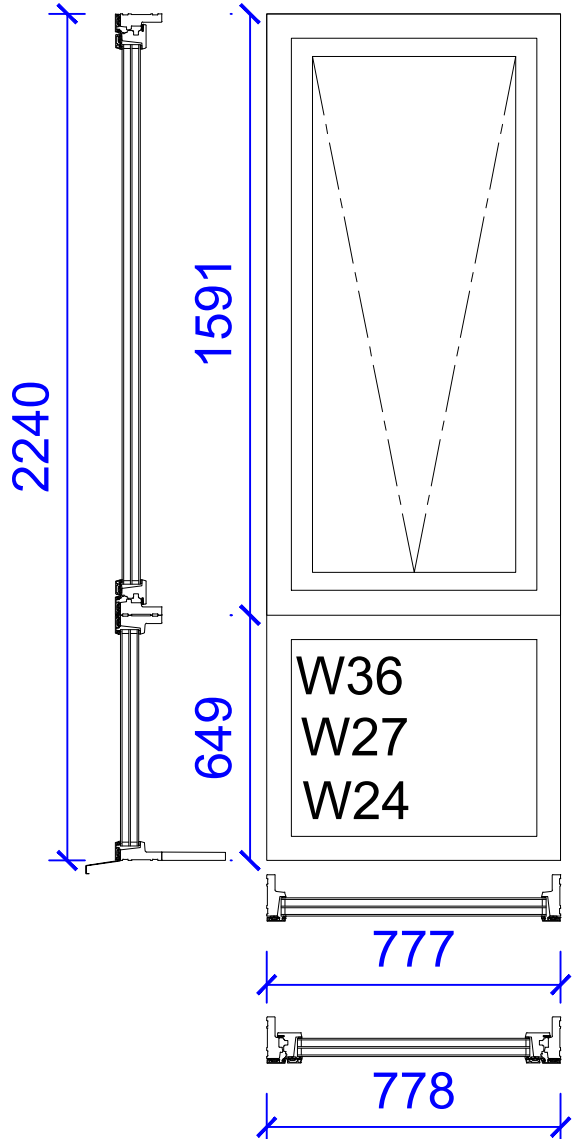
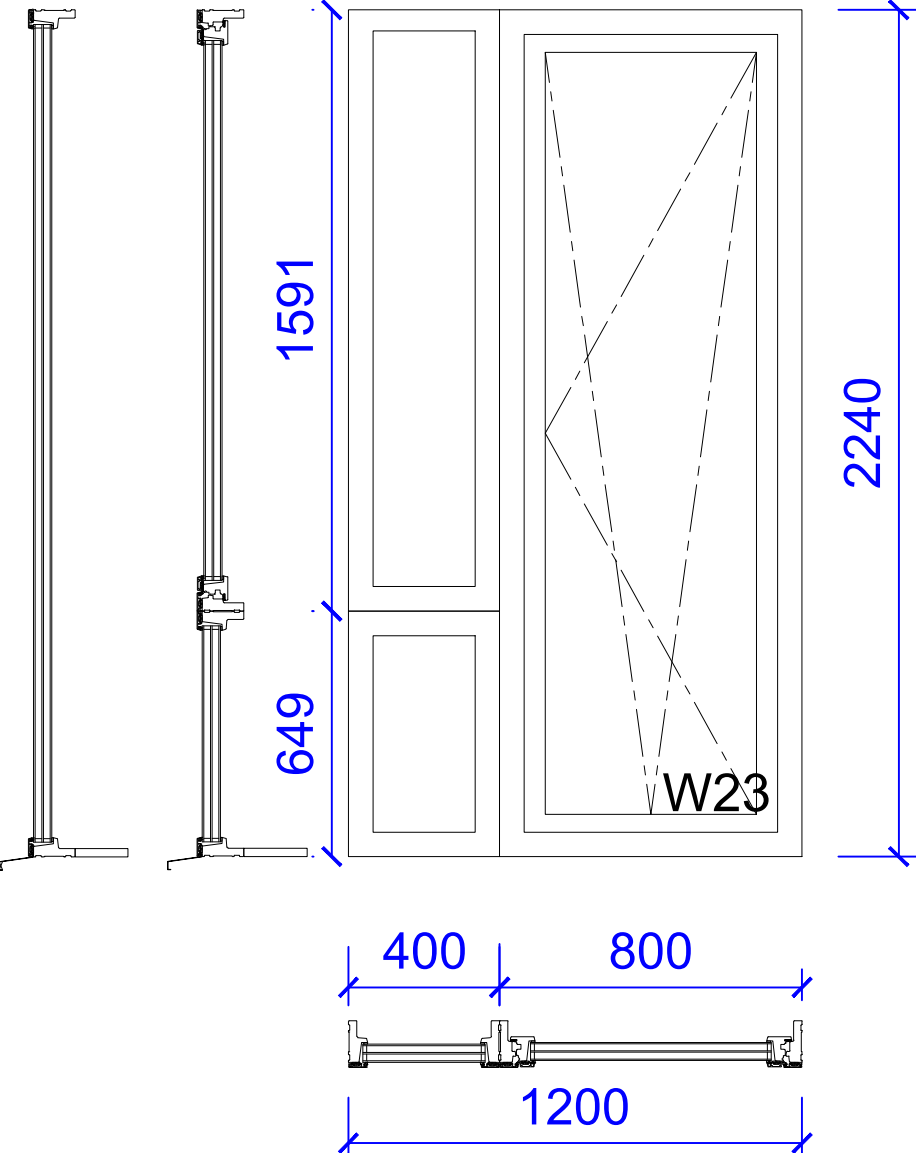
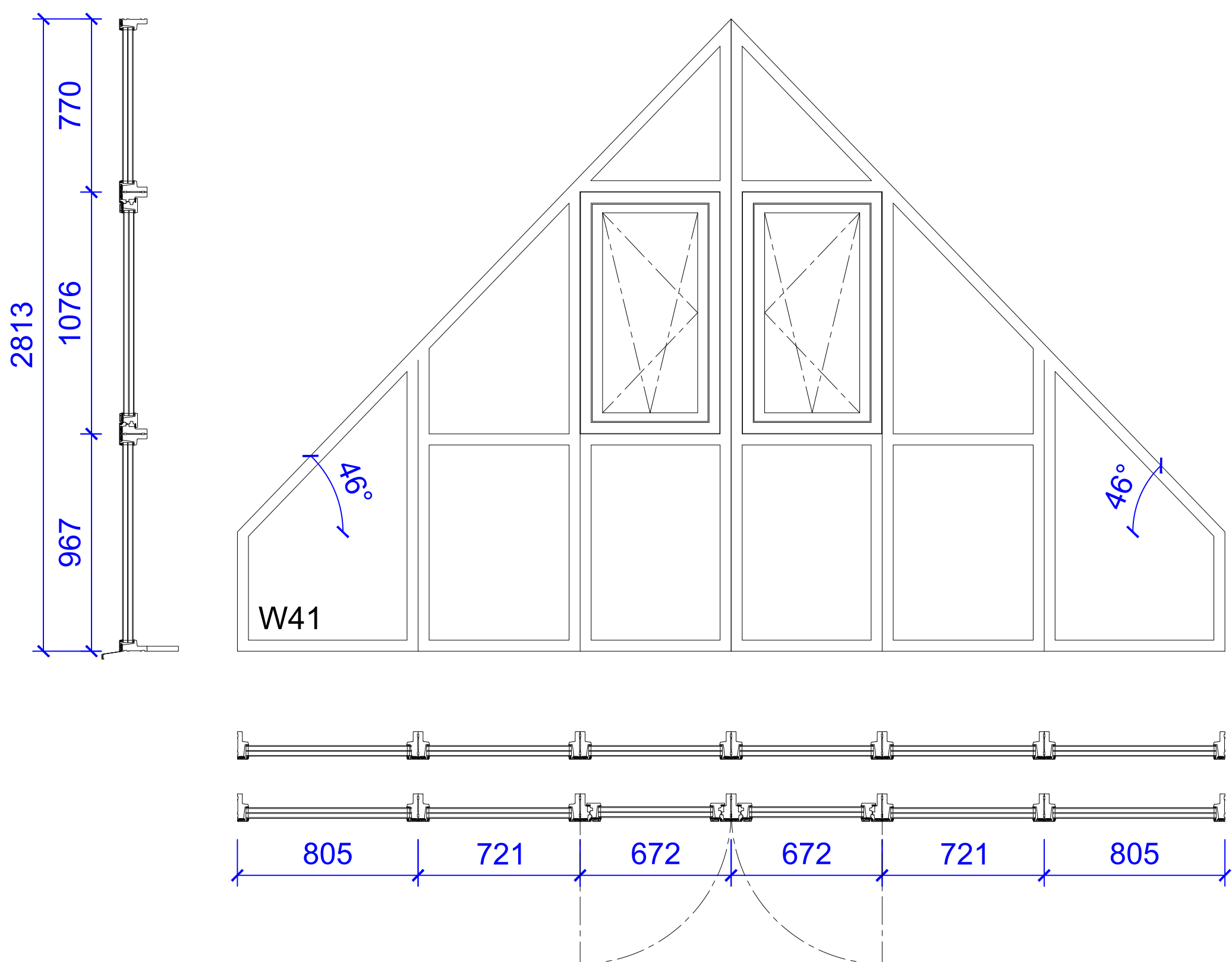
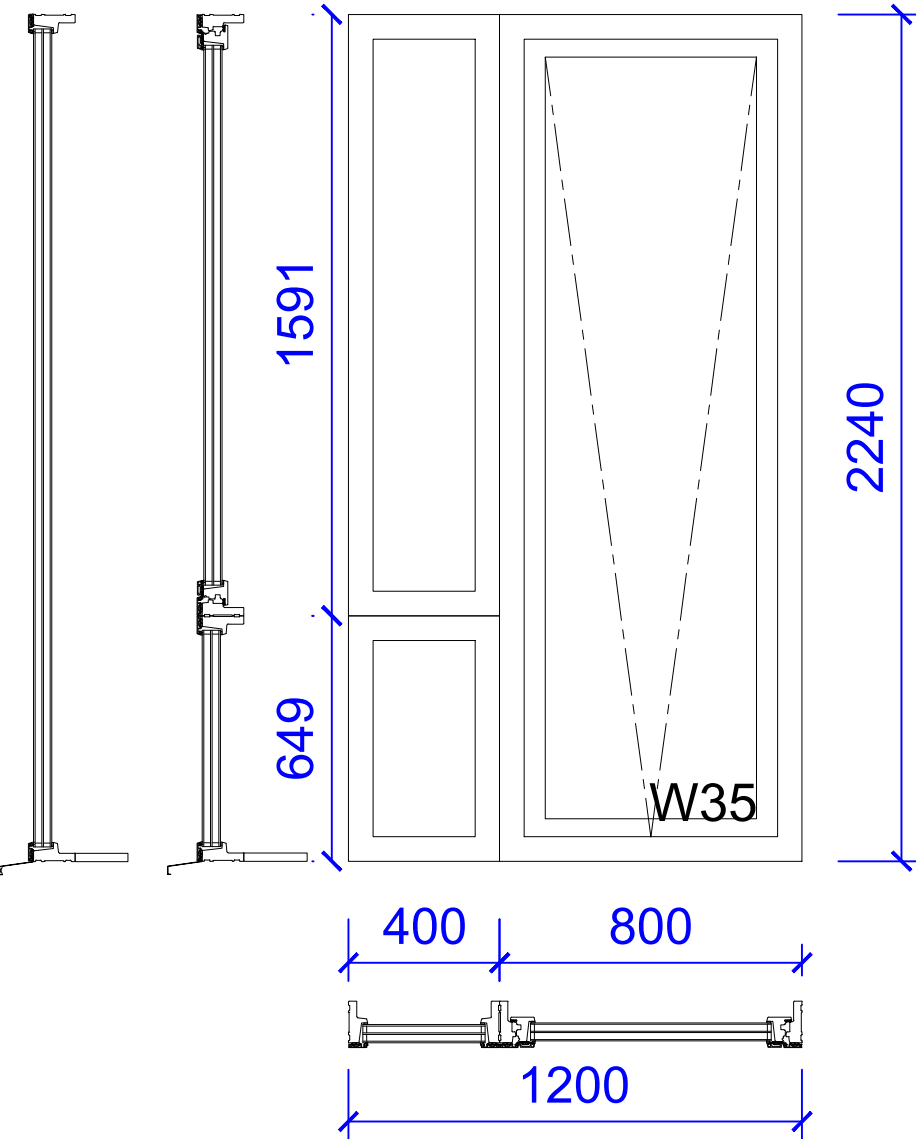


Windows Schedule

Rear Facade/ Aluminium Windows

Velfac 200 Energy Series
 Triple-Glazed Windows
 Types of Windows:
 Fixed; Tilt; Tilt and Turn; Gable Glazed Wall with two
 tilt and turn windows
 Lintels, Refer to SE Drawings!



Revisions

Ko Architects
 72 Disraeli Road, London SW15 2DX
 020 8780 3397
 postbox@koandpartners.co.uk

Client: **Leycam LTD**
 Project: **41 Fortress Road, London NW5 1AD**
 Dwg: **Window Schedule- Aluminium Windows**
 Dwg No: **394-B-19** Revision:
 Date:
 Scale: **1:20@A1**