

PROJECT: 7 Wavel Mews, London NW6 3AB

DRAWING TITLE:

Existing ground and first floor plans

SCALE: 1:50@A3 DRAWING NUMBER: E-01



Issued for COMMENT 18.09.21

studio seventi

A R C H I T E C T U R E L T D

www.studioseventi.co.uk

176 Brookhewse Road
London SE6 3TP

m:07985 507253

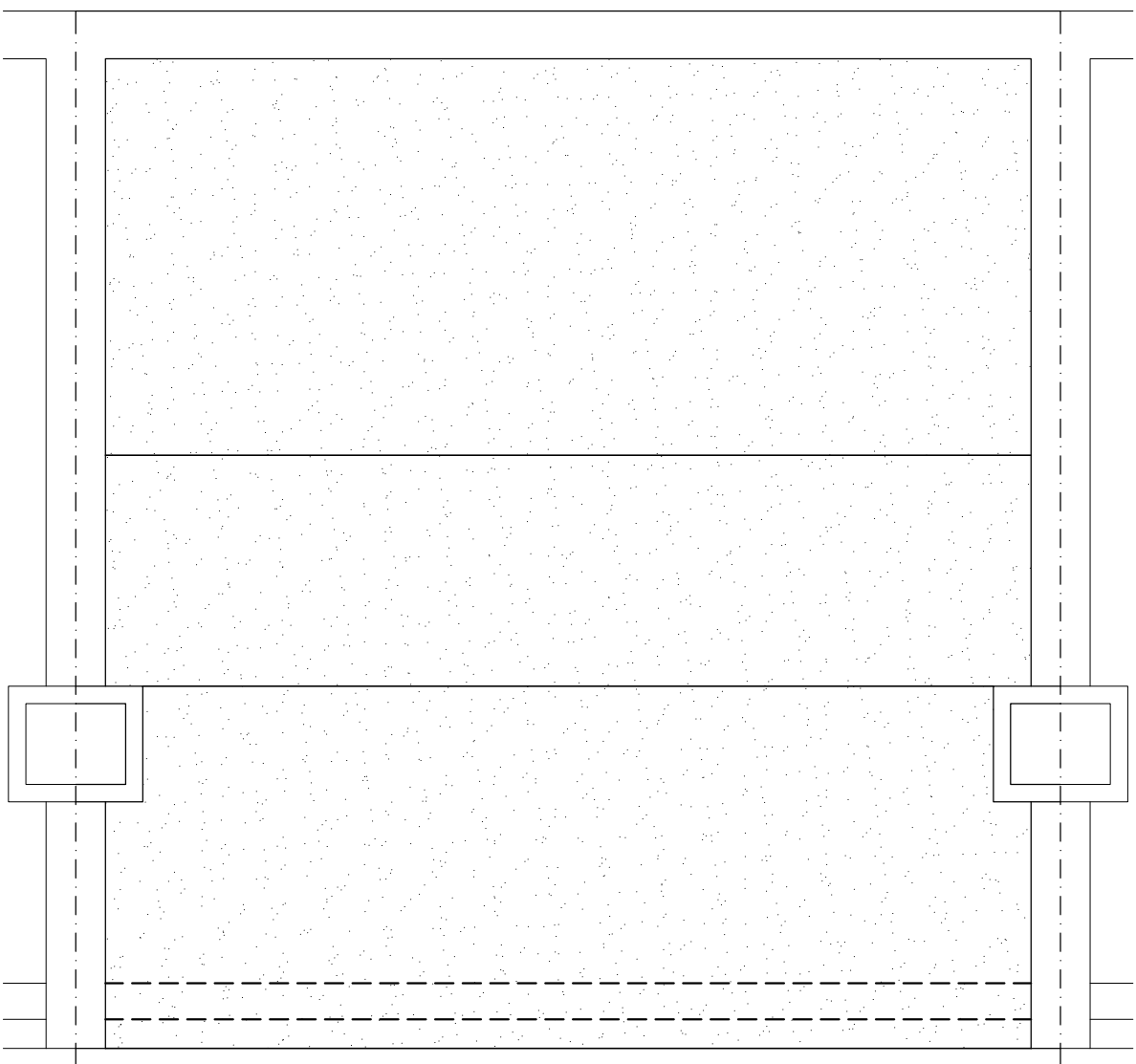
e:g.egbo@studioseventi.co.uk

PROJECT: 7 Wavel Mews, London NW6 3AB

DRAWING TITLE:

Existing roof plan

SCALE: 1:50@A3 DRAWING NUMBER: E-02



Issued for COMMENT 18.09.21

studio seventi

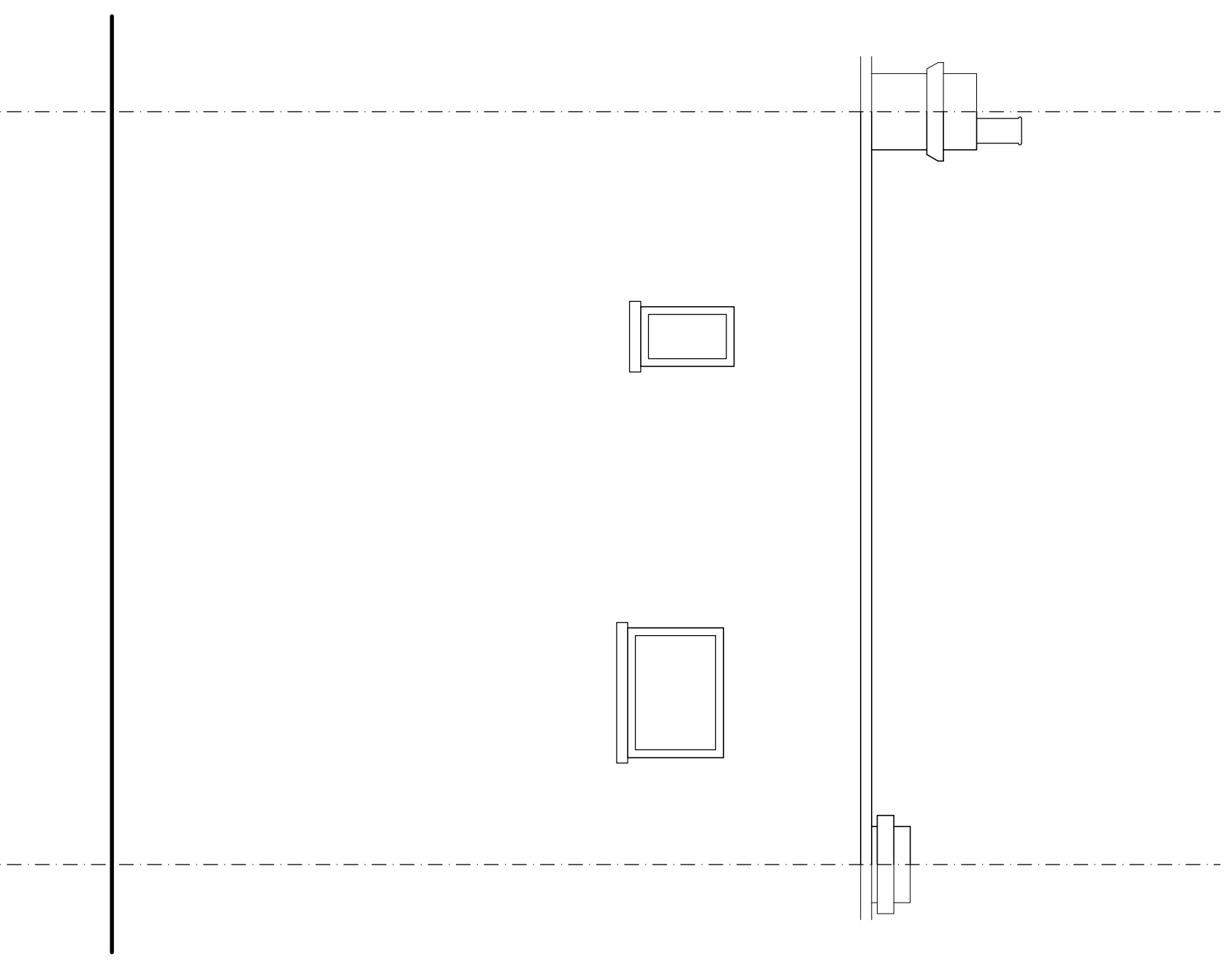
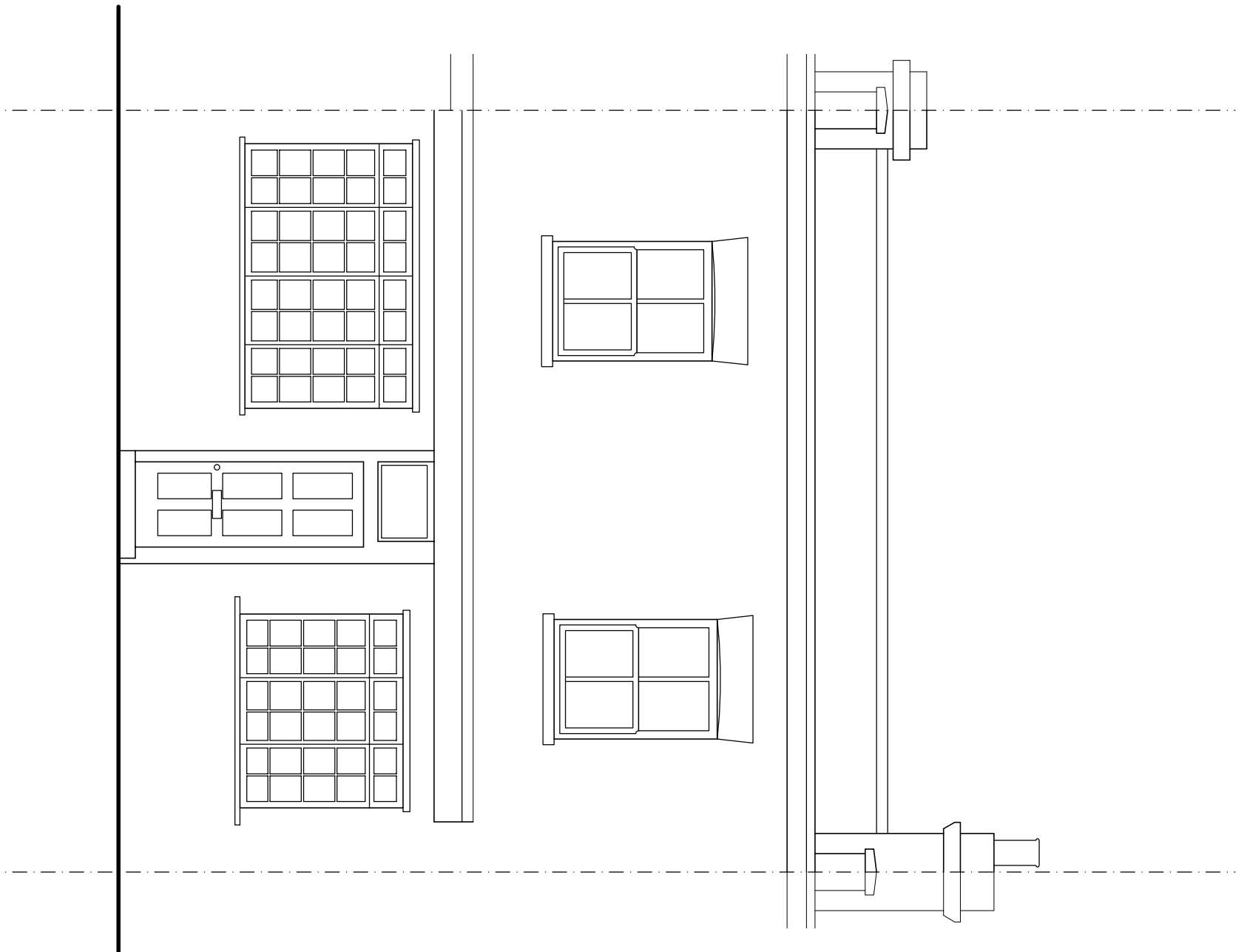
A R C H I T E C T U R E L T D

www.studioseventi.co.uk

176 Brookehowse Road
London SE6 3TP

m:07985 507253

e:g.egbo@studioseventi.co.uk



PROJECT: 7 Wavel Mews, London NW6 3AB

DRAWING TITLE:

Existing front and rear elevations

SCALE: 1:100@A3 DRAWING NUMBER: E-03



Issued for COMMENT 18.09.21

studio seventi

A R C H I T E C T U R E L T D

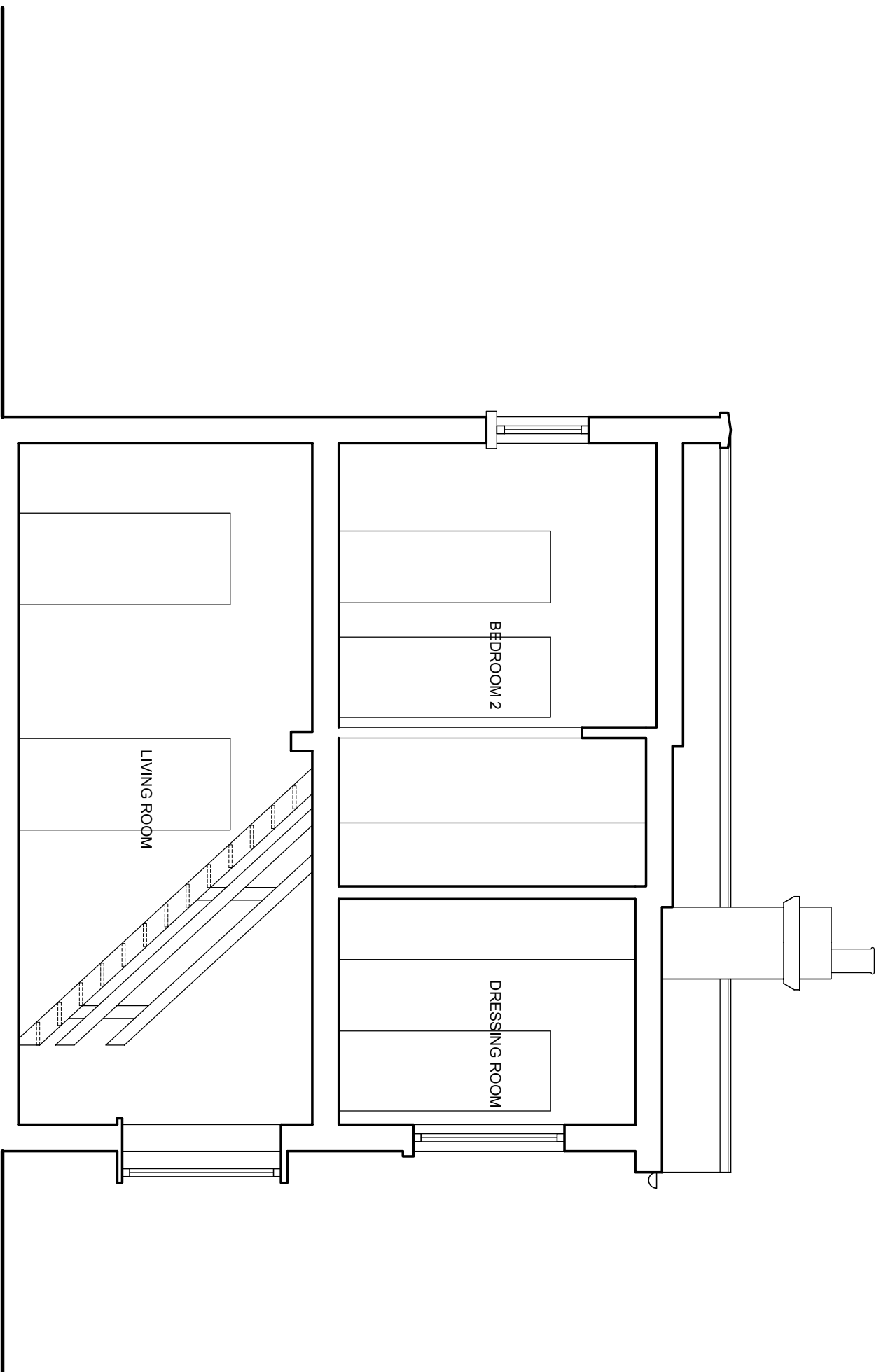
www.studioseventi.co.uk

176 Brookhewse Road

London SE6 3TP

m:07985 507253

e:g.egbo@studioseventi.co.uk



PROJECT: 7 Wavel Mews, London NW6 3AB
DRAWING TITLE:

Existing section

SCALE: 1:100@A3 DRAWING NUMBER: E-04



Issued for COMMENT 18.09.21

studio seventi

A R C H I T E C T U R E L T D

www.studioseventi.co.uk

176 Brookehowse Road
London SE6 3TP

m:07985 507253

e:g.egbo@studioseventi.co.uk