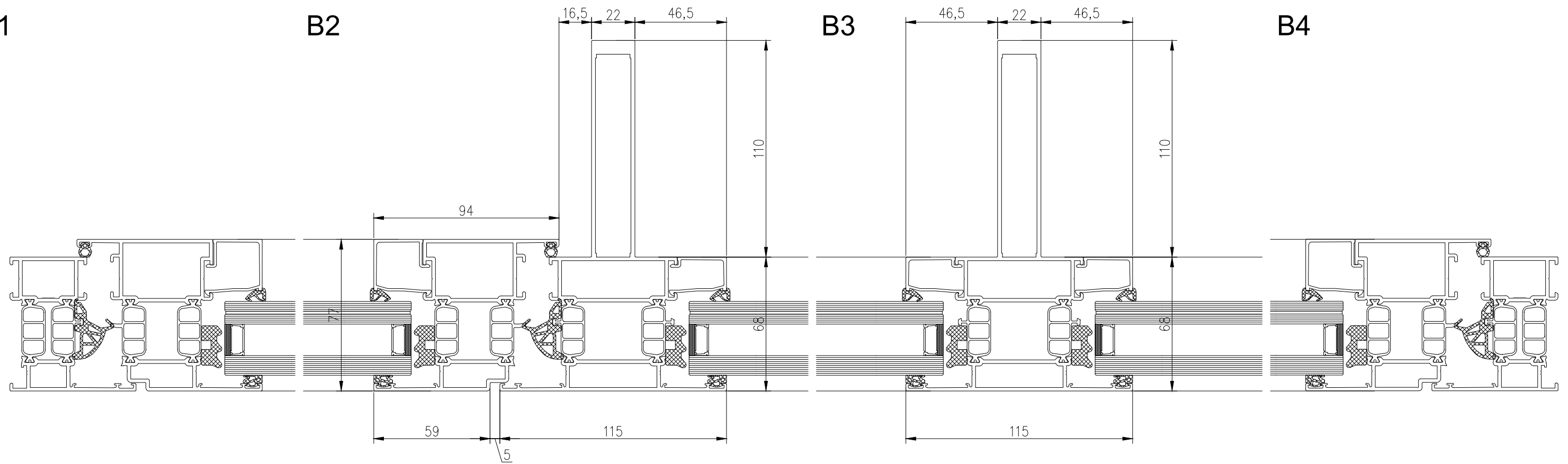


B1

B2

B3

B4



DMITRO FACADES LTD
Unit 17 Dunstall Estate
Leigh Place, Welling
London
DA16 3JH

Tel: 0207 254 4603
E-mail: office@dmitrofacades.co.uk

Dimensions in Millimeters

Revision	Description	Edited by	Checked by	Approved	Date
P01	Issued for comments/approval	JA			05.03.2021
C1	Construction issue	JA			17.05.2021

SITE		Greville Street	
CLIENT		RED Construction	
DRAWING TITLE		Detail D08	
SCALE	1:2	DATE DRAWN	17.05.2021
DRG NO	GS-DFL-XX-XX-DR-X-8108	DRAWN BY	Jurij Avizen
Purpose of Issue	S3	REV.	C1
ORIGINAL SIZE	A3	CONSTRUCTION	