

Do Not Scale - If in Doubt Ask

System:
Reynaers CS 77

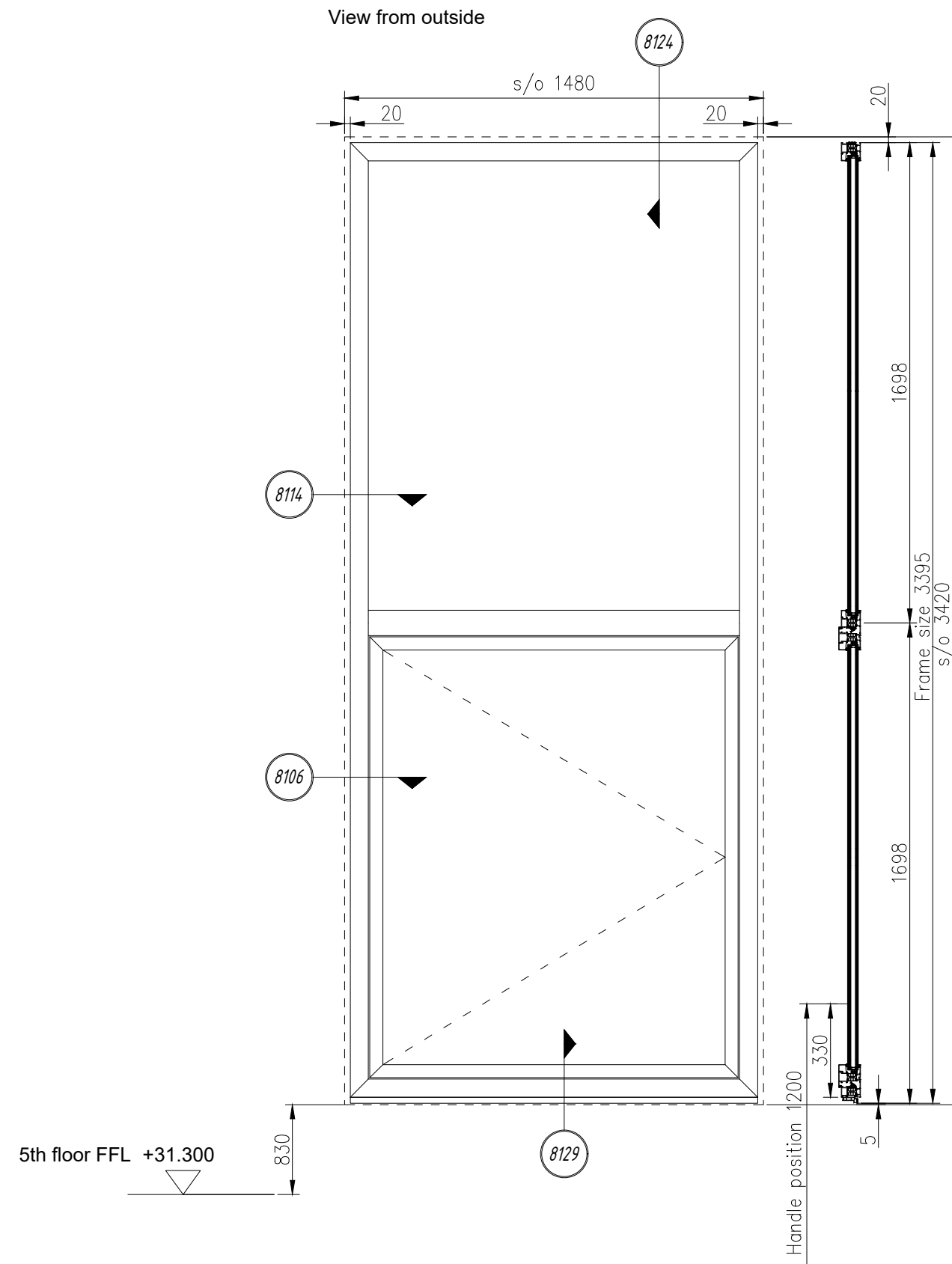
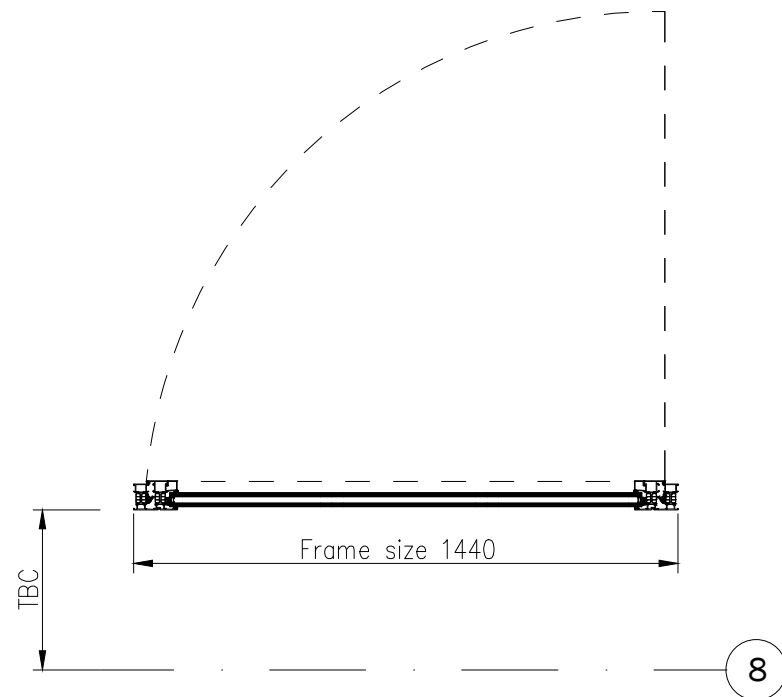
Glass:
U glass = 1.0 W/m²/K
G value = 0.4
Warm Edge RAL9004
Low Iron (TBC)

Color:
Inside & Outside
Tiger Drylac 029/65650

Fittings:
Lockable handle with key (colour - RAL9005)
Window Restrictor

Notes:

Window ref.	Type	Location	Structural	
			w (mm)	h (mm)
5.12	6 - B	Fifth Floor - B1 Unit	1480	3420
5.13	6 - B	Fifth Floor - B1 Unit	1480	3420
5.14	6 - B	Fifth Floor - B1 Unit	1480	3420



DMITRO FACADES LTD
Unit 17 Dunstall Estate
Leigh Place, Welling
London
DA16 3JH

Tel: 0207 254 4603
E-mail: office@dmitrofacades.co.uk

Dimensions in Millimeters

Revision	Description	Edited by	Checked by	Approved	Date
P01	Issued for comments/approval	JA			03.03.2021
P02	Updated according to the comments from architects	JA			26.03.2021
C1	Construction issue	JA			17.05.2021
C2	Astragal bars removed	JA			22.10.2021

SITE: Greville Street	
CLIENT: RED Construction	
DRAWING TITLE: Windows W512, W5.13 & W5.14	
SCALE: 1:20	DRAWN: 22.10.2021
DRG NO: GS-DFL-XX-05-DR-X-8030	DRAWN BY: Jurij Avizen
PURPOSE OF ISSUE: S3	REV: C2
ORIGINAL SIZE: A3	CONSTRUCTION