

Do Not Scale - If in Doubt Ask

System:  
Reynaers CS 77

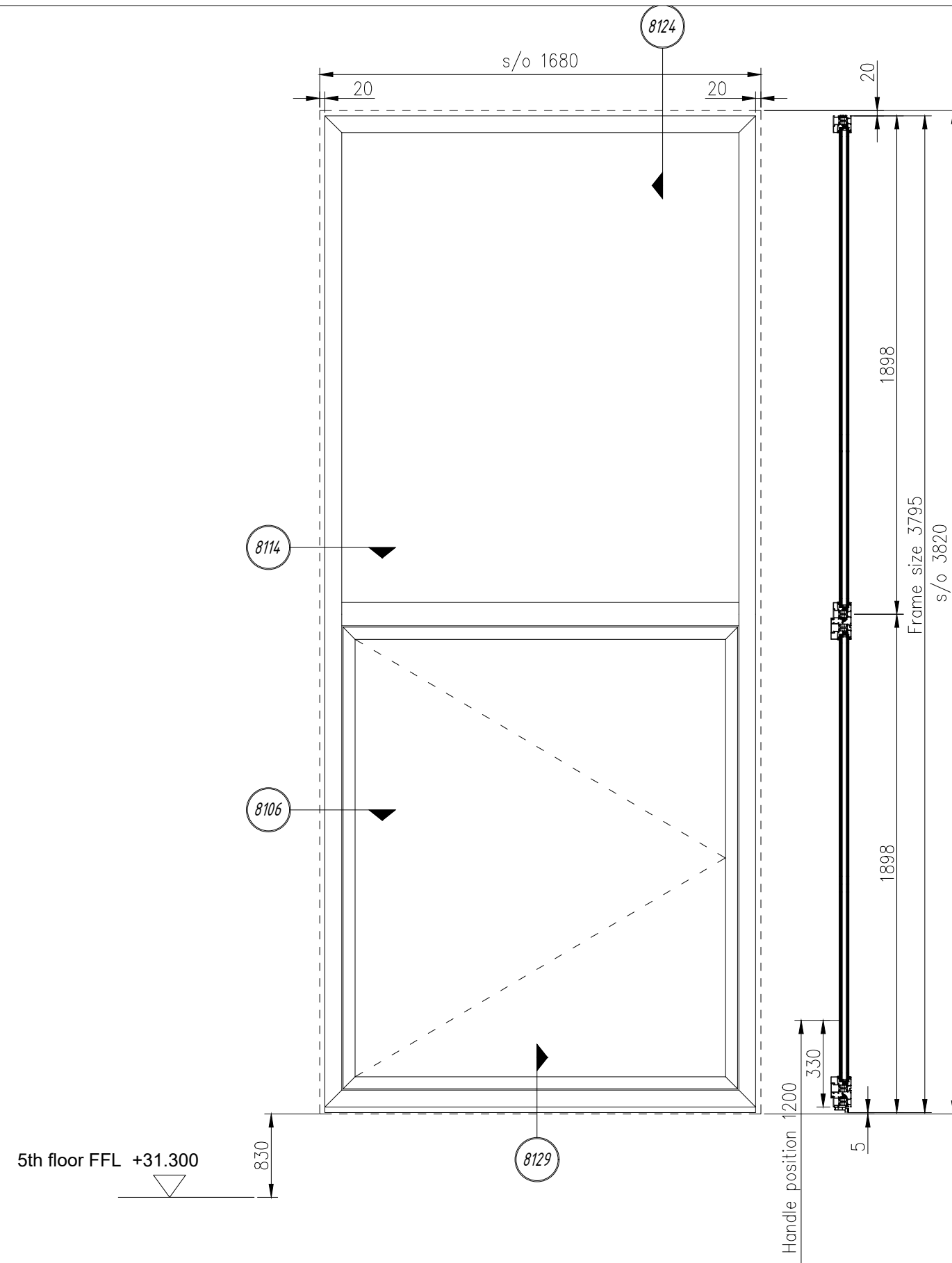
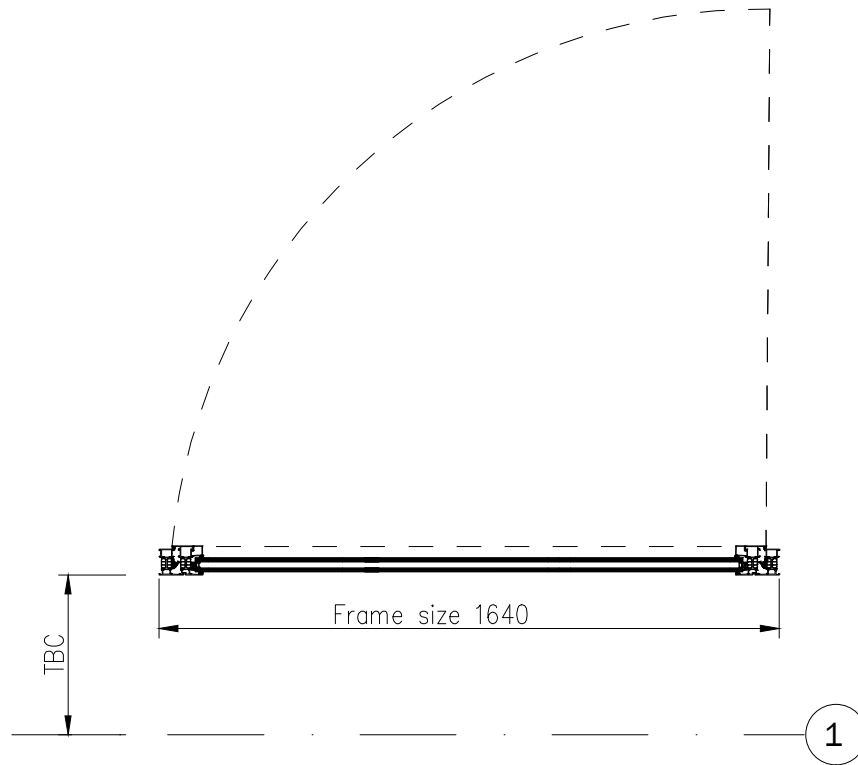
Glass:  
U glass = 1.0 W/m<sup>2</sup>/K  
G value = 0.4  
Warm Edge RAL9004  
Low Iron (TBC)

Color:  
Inside & Outside  
Tiger Drylac 029/65650

Fittings:  
Lockable handle with key (colour - RAL9005)  
Window Restrictor

Notes:

Window ref.	Type	Location	Structural	
			w (mm)	h (mm)
5.05	6 - A	Fifth Floor - B1 Unit	1680	3820
5.06	6 - A	Fifth Floor - B1 Unit	1680	3820



DMITRO FACADES LTD  
Unit 17 Dunstall Estate  
Leigh Place, Welling  
London  
DA16 3JH

Tel: 0207 254 4603  
E-mail: office@dmitrofacades.co.uk

Dimensions in Millimeters

Revision	Description	Edited by	Checked by	Approved	Date
P01	Issued for comments/approval	JA			03.03.2021
P02	Updated according to the comments from architects	JA			26.03.2021
C1	Construction issue	JA			17.05.2021
C2	Astragal bars removed	JA			22.10.2021

SITE: Greville Street		
CLIENT: RED Construction		
DRAWING TITLE: Windows W5.05 & W5.06		
SCALE: 1:20	DRAWN: 22.10.2021	DRAWN BY: Jurij Avizen
DRG NO: GS-DFL-XX-05-DR-X-8028	REV: C2	
Purpose of Issue: S3	STATUS: CONSTRUCTION	
ORIGINAL SIZE: A3		