

Do Not Scale - If in Doubt Ask

System:  
ALUFIRE EI30 80mm

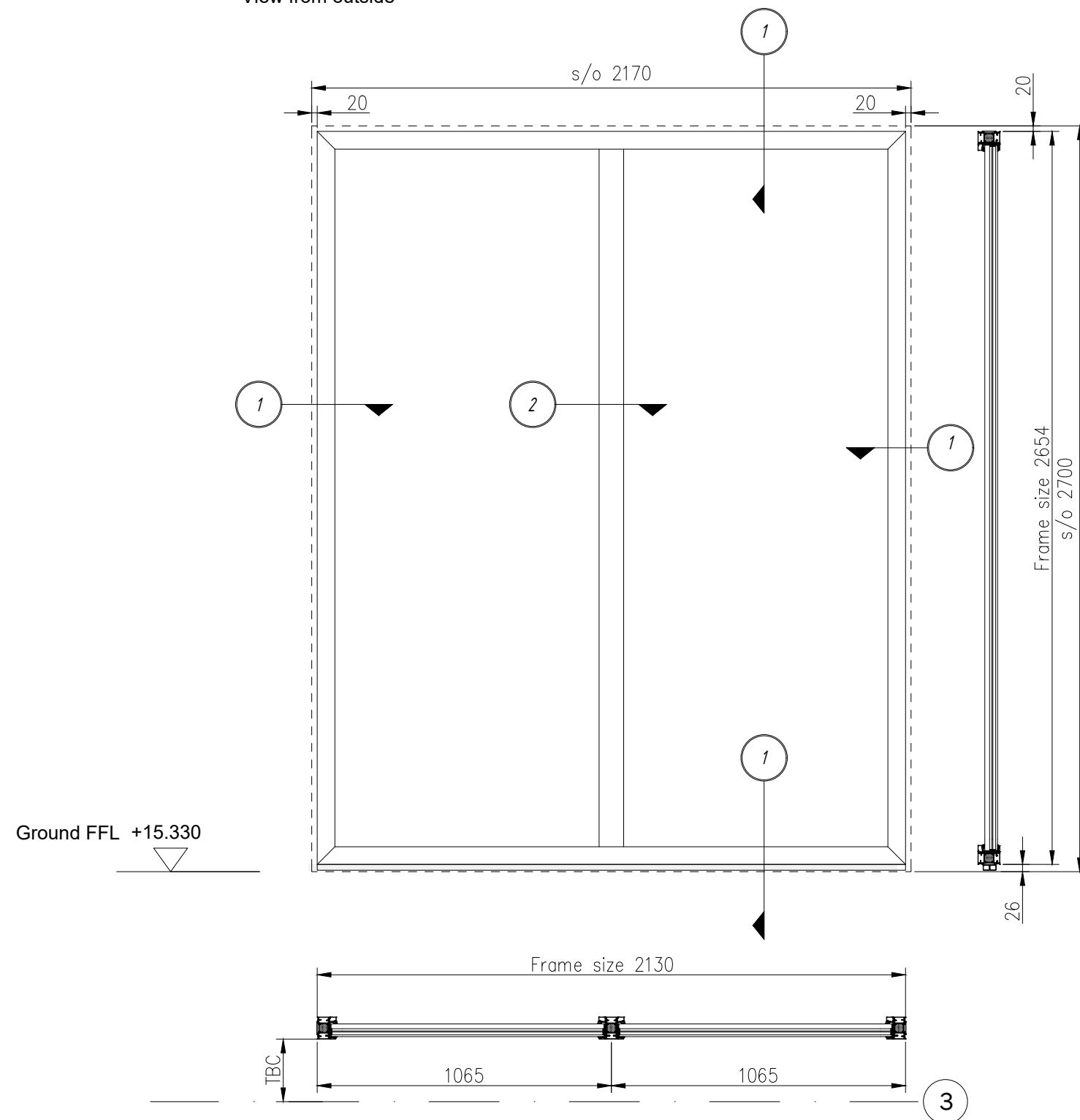
Glass:  
U glass = 0.8  
Fire rated glass EI30/10AR/4ESG/8AR/33.2 iPlus

Color:  
Inside & Outside  
To match Tiger 029/65650

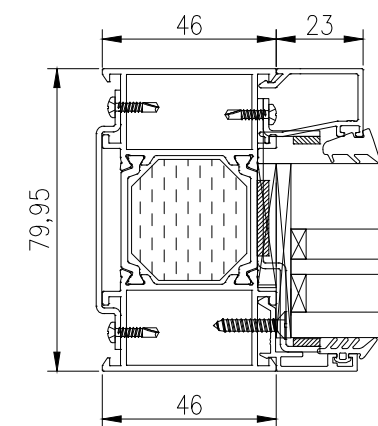
Notes:

Window ref.	Type	Location	Structural	
			w (mm)	h (mm)
W0.09	1 - H	Ground floor - A1/A3 unit	2170	2700

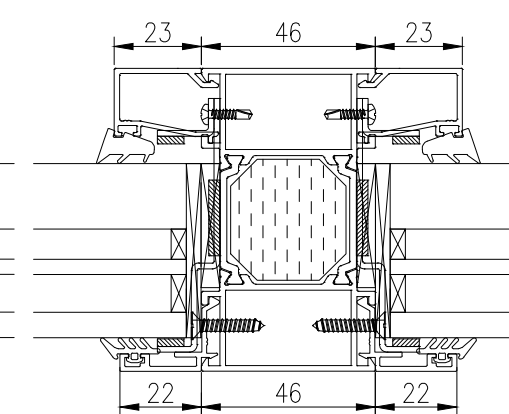
View from outside



Section 1  
scale 1:2



Section 2  
scale 1:2



DMITRO FACADES LTD  
Unit 17 Dunstall Estate  
Leigh Place, Welling  
London  
DA16 3JH

Tel: 0207 254 4603  
E-mail: office@dmitrofacades.co.uk

Dimensions in Millimeters

Revision	Description	Edited by	Checked by	Approved	Date
P01	Issued for comments/approval	JA			03.03.2021
C1	Construction issue	JA			17.05.2021

SITE	Greville Street		
CLIENT	RED Construction		
DRAWING TITLE	Window W0.09		
SCALE	1:20	DATE DRAWN	17.05.2021
DRG NO	GS-DFL-XX-00-DR-X-8006	DRAWN BY	Jurij Avizen
REV	C1	STATUS	<b>CONSTRUCTION</b>
Purpose of Issue	S3	ORIGINAL SIZE	A3