

Do Not Scale - If in Doubt Ask

System:
Reynaers CS 77

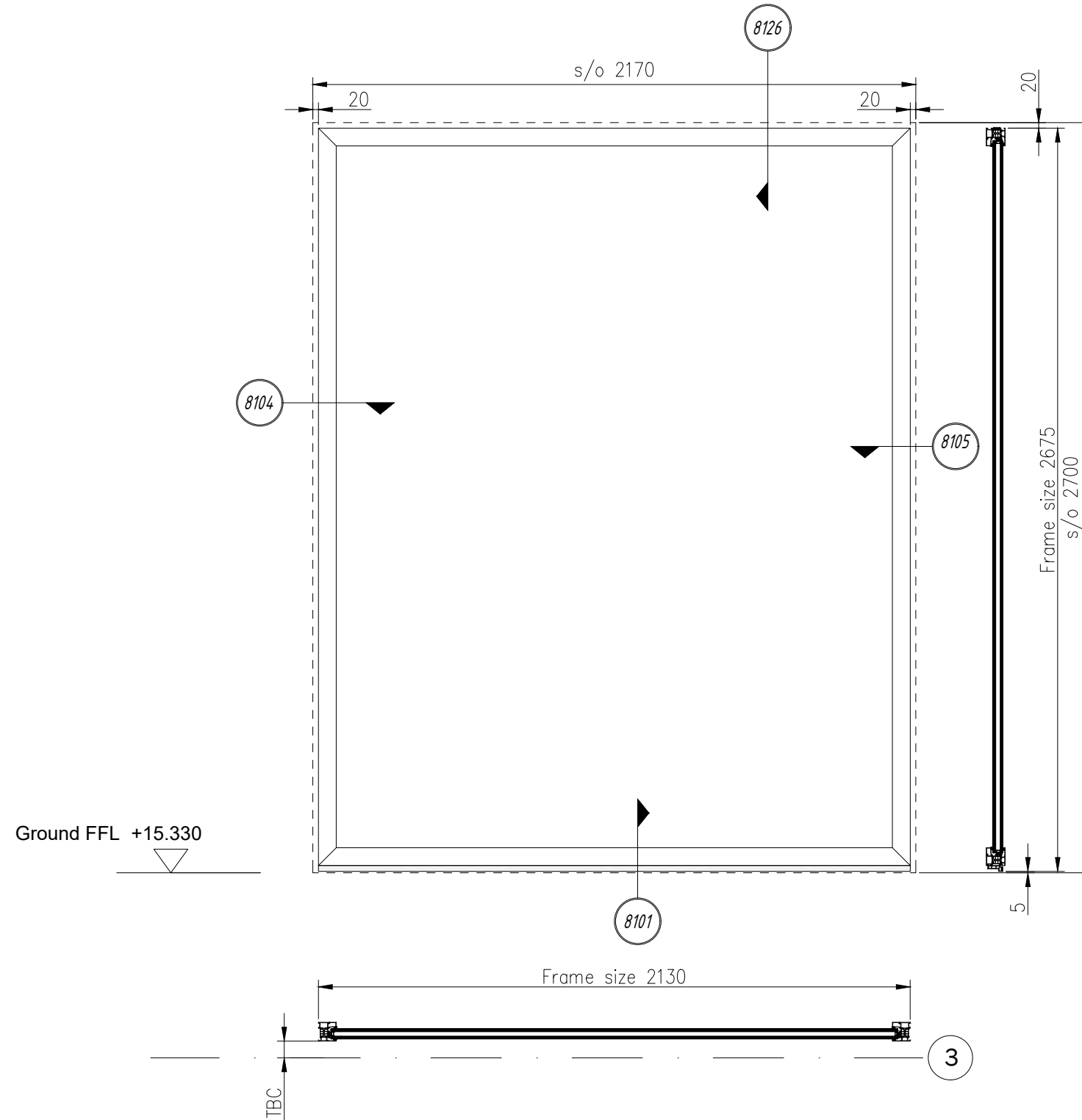
Glass:
U glass = 1.0 W/m2/K
G value = 0.4
Warm Edge RAL9004
Low Iron (TBC)
Safety glass

Color:
Inside & Outside
Tiger Drylac 029/65650

Notes:

Window ref.	Type	Location	Structural	
			w (mm)	h (mm)
W0.08	1 - H	Ground floor - A1/A3 unit	2170	2700

View from outside



DMITRO FACADES LTD
Unit 17 Dunstall Estate
Leigh Place, Welling
London
DA16 3JH

Tel: 0207 254 4603
E-mail: office@dmitrofacades.co.uk

Dimensions in Millimeters

Revision	Description	Edited by	Checked by	Approved	Date
P01	Issued for comments/approval	JA			03.03.2021
C1	Construction issue	JA			17.05.2021

SITE: Greville Street		
CLIENT: RED Construction		
DRAWING TITLE: Window W0.08		
SCALE: 1:20	DATE DRAWN: 17.05.2021	DRAWN BY: Jurij Avizen
DRG NO: GS-DFL-XX-00-DR-X-8005	REV: C1	
Purpose of Issue: S3	STATUS: CONSTRUCTION	
ORIGINAL SIZE: A3		