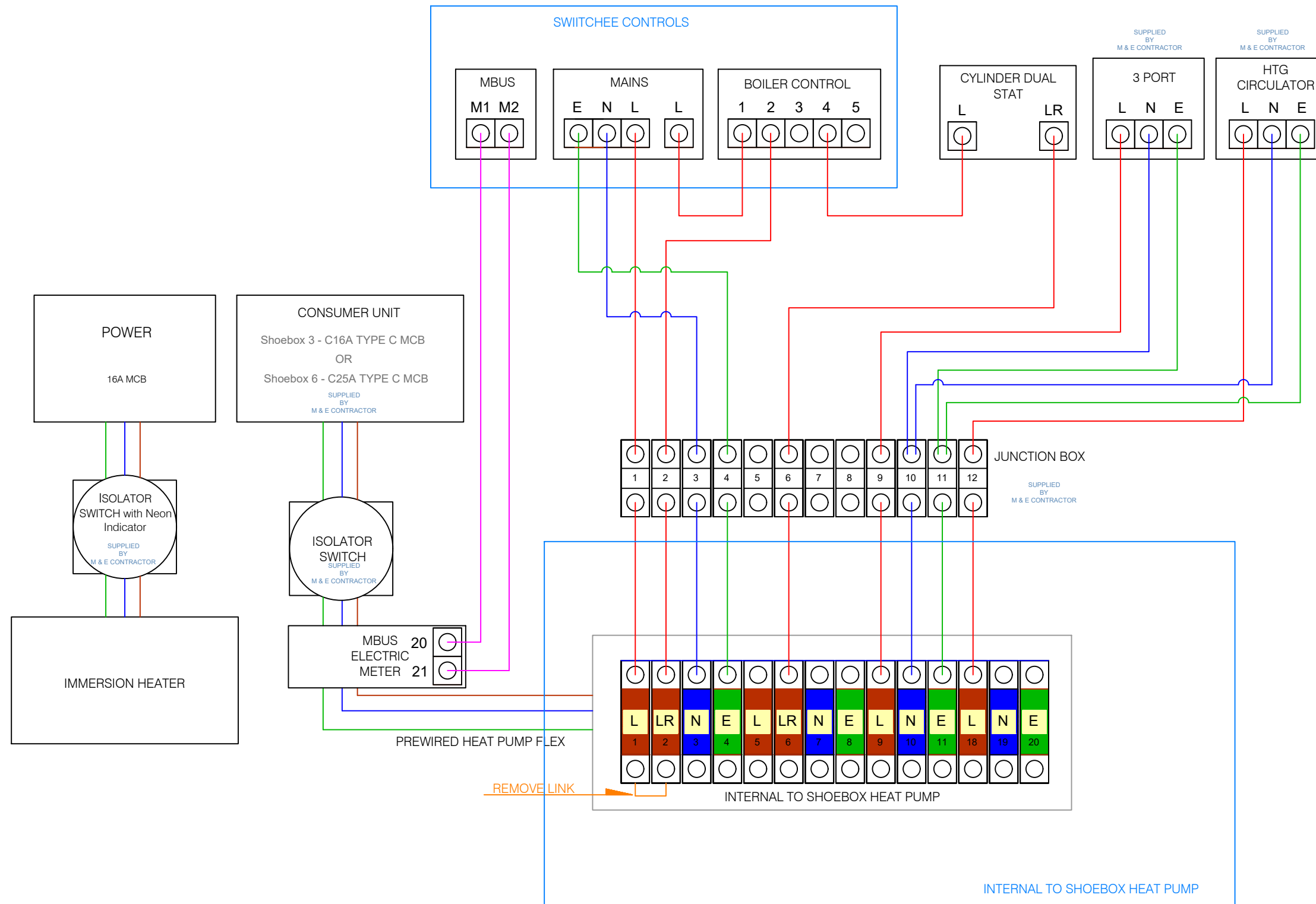


Electrics		
Scale at A3 NTS	Revision No. 0	
Drawn by CS	Revised by .	Revised 17 Sep 2021



Kensa House
 Mount Wellington Mine
 Chacewater
 TRURO
 TR4 8RJ
 01872 862140
 info@kensacontracting.com



Control wires from heat pump to junction box should be a single multi-core cable