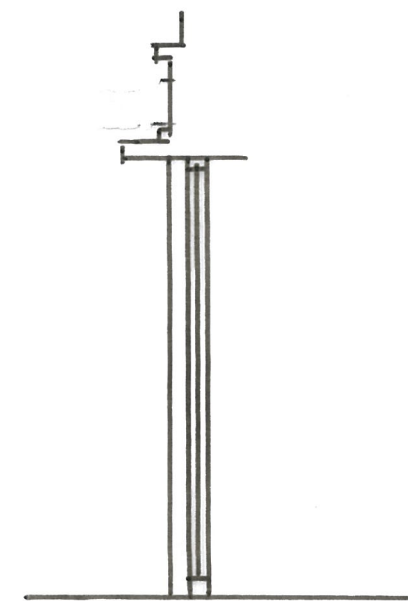
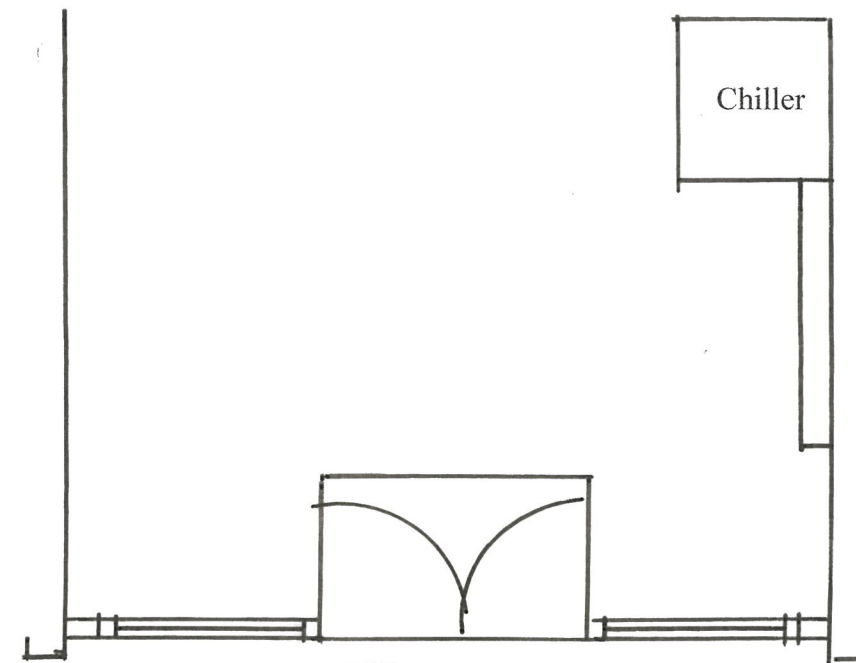




Existing Part Elevation



Existing Section



Existing Part Plan Entrance Doors



Drawing No. EN010921E
 Scale: 1:50
 Date: 21.09.2021

Des Ager Design and Planning Consultant

33 Charterhouse Road, Godalming, Surrey GU7 2AG
 T: 01483 800417
 M: 07836 558370
 desmondager@gmail.com

Project Title: **EXISTING PART PLAN ELEVATION AND SECTION**
 Site Address: Fresh Food & News
 13 Chalk Farm Road
 Camden
 London NW1 8AG

Notes: Existing Part Plan Elevation and Section
 Installation of an Automated Teller Machine (ATM)

