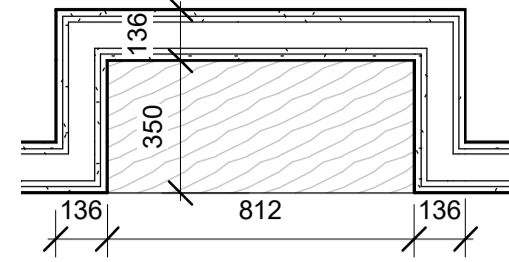
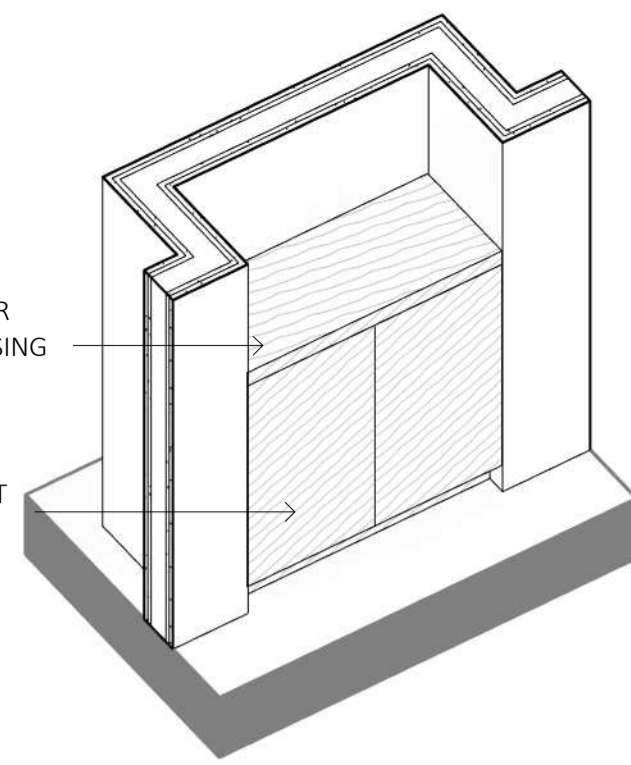


L3.07 - SMALL MEETING ROOM SHELVING

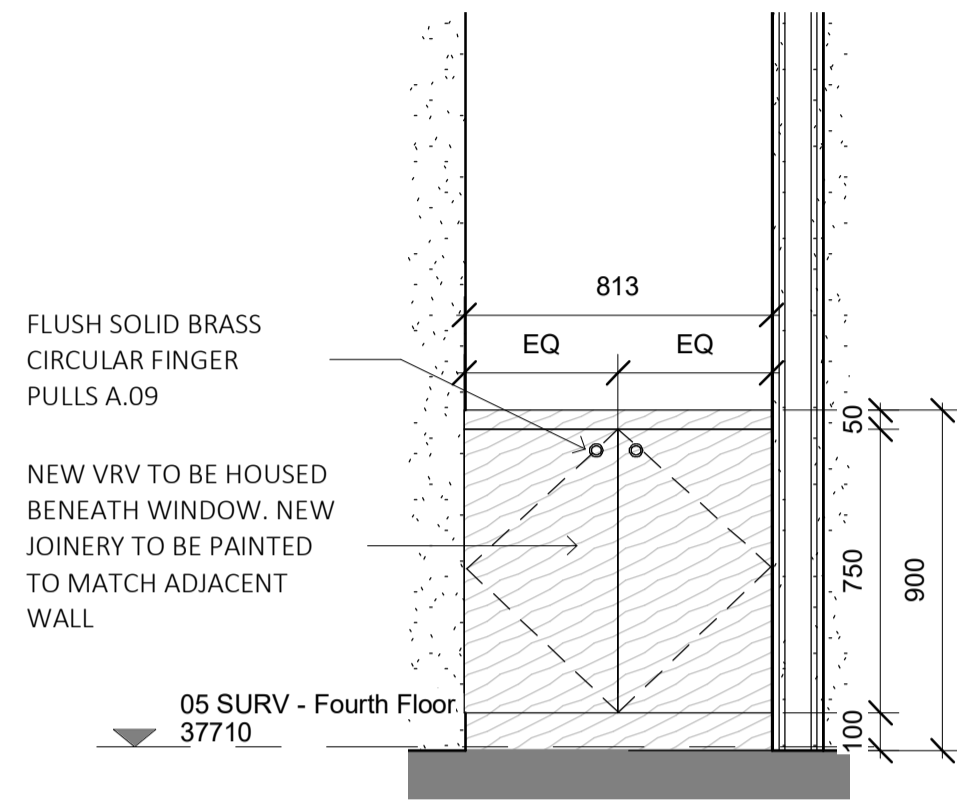


NEW PAINTED TIMBER SHELVING UNIT HOUSING VRV



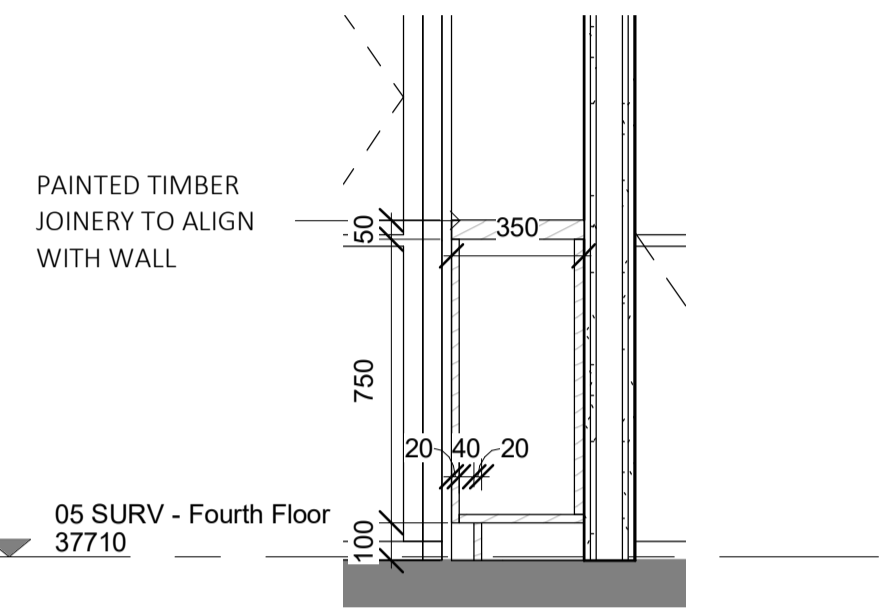
PL-L3.07 - SMALL MEETING ROOM SHELVING 1.0
1 : 20

CONCEALED VRV UNIT TO MEP SPEC.



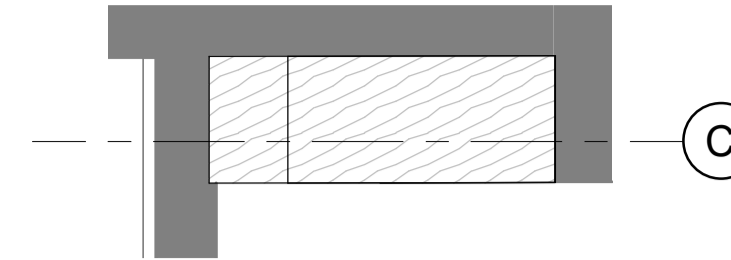
PL-L3.07 - SMALL MEETING ROOM SHELVING 2.0
1 : 20

PL-L3.07 - SMALL MEETING ROOM SHELVING 4.0

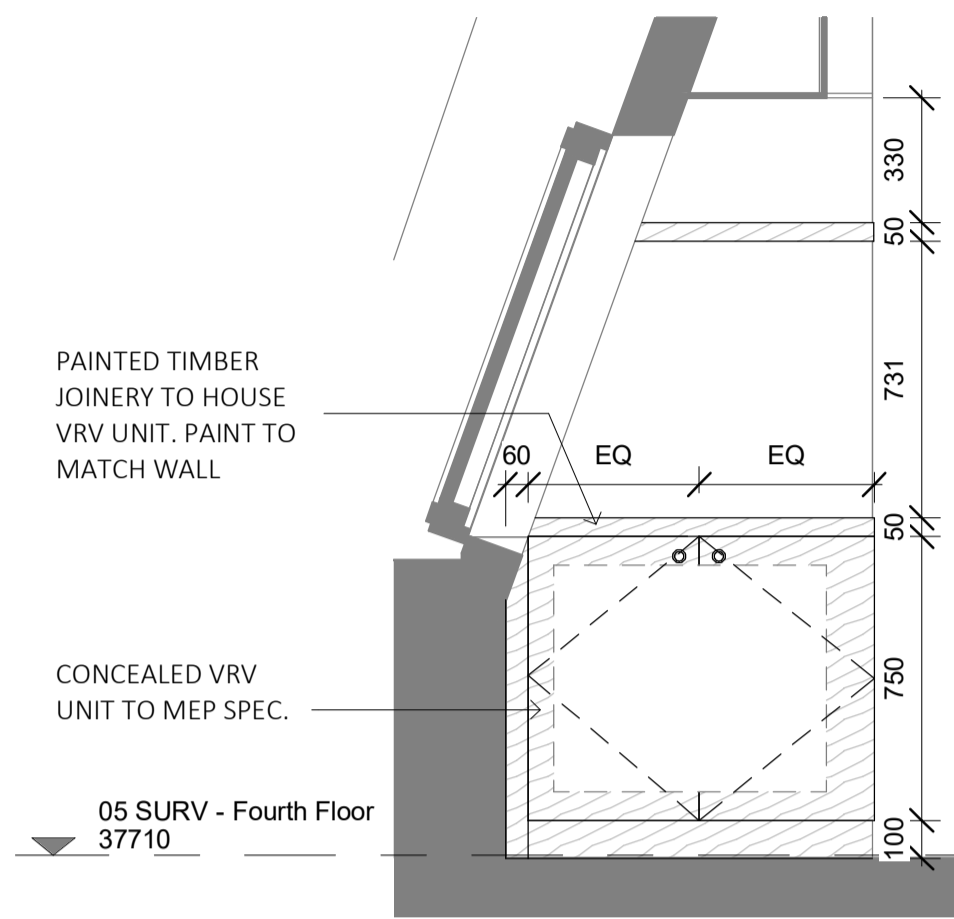


PL-L3.07 - SMALL MEETING ROOM SHELVING 3.0
1 : 20

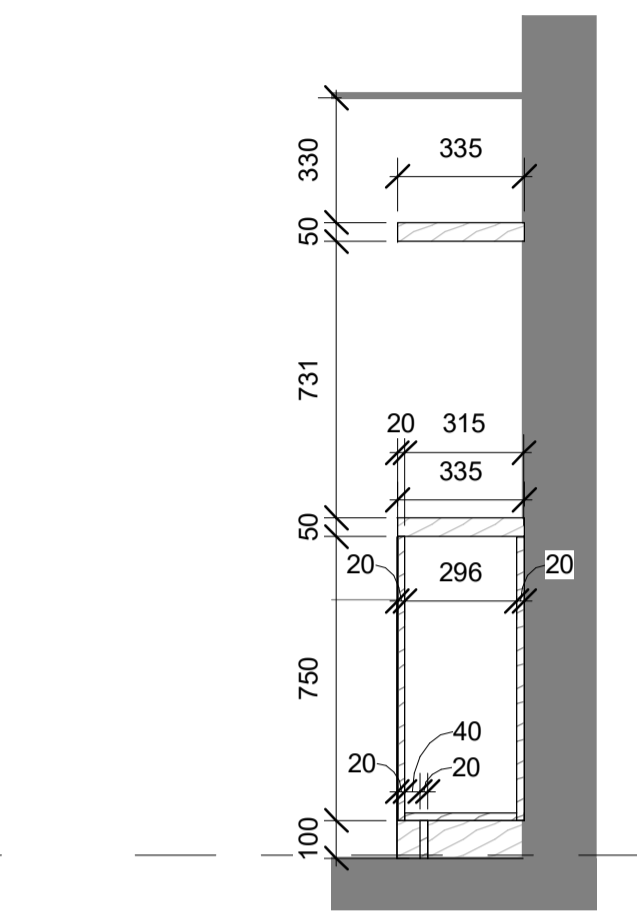
L3.03 - OFFICE SHELVING UNIT



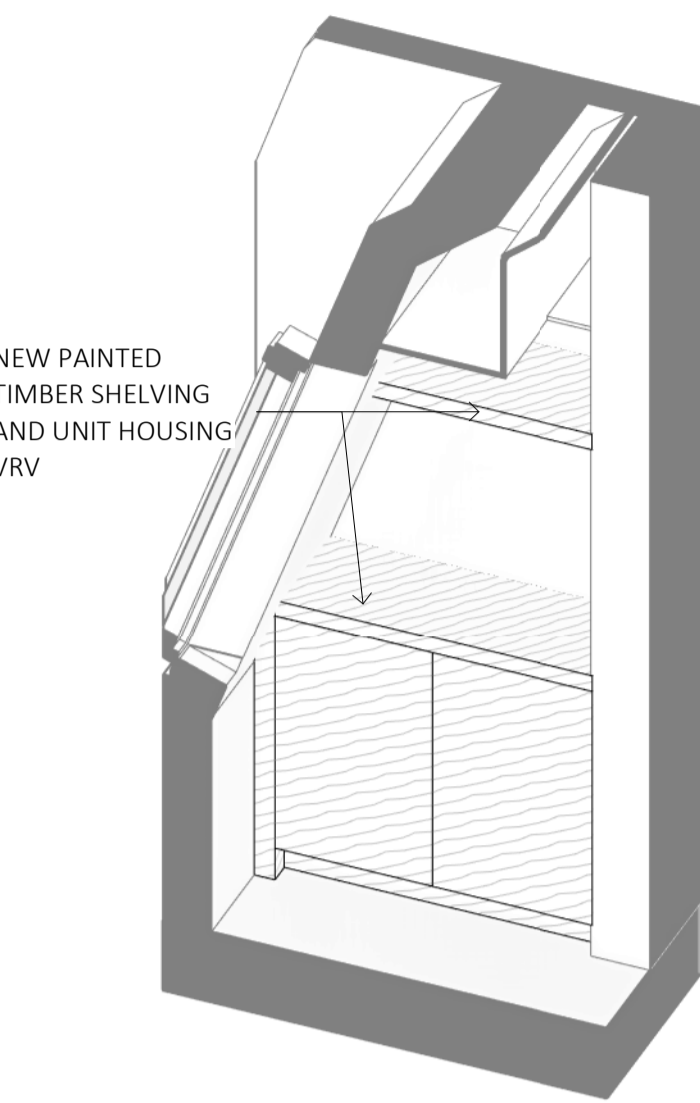
PL-L3.07 - MEETING ROOM SHELVING 1.0
1 : 20



PL-L3.07 - MEETING ROOM SHELVING 2.0
1 : 20



PL-L3.07 - MEETING ROOM SHELVING 3.0
1 : 20



PL-L3.07 - MEETING ROOM SHELVING 4.0

GENERAL NOTES

CONTRACTOR TO IMMEDIATELY ADVISE THE CONTRACT ADMINISTRATOR & ARCHITECT OF ANY DISCREPANCIES BETWEEN THE EXISTING SURVEY DRAWINGS AND THE SITE SITUATION IF FOUND TO DIFFER. SHOULD A DISCREPANCY BE IDENTIFIED, THE CONTRACTOR IS TO REQUEST VERIFICATION FROM THE CONTRACT ADMINISTRATOR BY WAY OF INSTRUCTION PRIOR TO PROCEEDING WITH THE ASSOCIATED WORK OR ORDERING OF MATERIALS.

WHERE THERE IS A PERCEIVED DISCREPANCY BETWEEN THE ARCHITECTS' M & E / STRUCTURAL ENG. DRAWINGS, SPECIFICATIONS AND SCHEDULES, THOSE OF THE ARCHITECT ARE TO TAKE PRECEDENCE. THE CONTRACTOR IS TO SEEK CLARIFICATION FROM THE CONTRACT ADMINISTRATOR PRIOR TO UNDERTAKING THE WORKS OR ASSOCIATED WORKS.

THE CONTRACTOR IS RESPONSIBLE FOR CHECKING DIMENSIONS. ANY DISCREPANCY TO BE VERIFIED WITH THE ARCHITECTS BEFORE PROCEEDING WITH ANY WORKS.

DO NOT SCALE DRAWINGS.

FIGURED DIMENSIONS TO BE WORKED IN ALL CASES. ALL DIMS ARE IN mm UNLESS OTHERWISE STATED.

ALL SUPPLIED TIMBER AND TIMBER BASED PRODUCTS SHALL CARRY THE FOREST STEWARDSHIP COUNCIL'S (FSC) TRADEMARK OR OTHER LABEL FROM AN EQUIVALENT INTERNATIONALLY RECOGNISED, GLOBALLY APPLICABLE, INDEPENDENT CERTIFICATION SYSTEM FOR GOOD FOREST MANAGEMENT, ACCEPTABLE TO THE ARCHITECT. CHAIN OF CUSTODY DOCUMENTATION IS TO BE PROVIDED PRIOR TO ANY WORKS PROCEEDING AND IS TO BE AVAILABLE FOR INSPECTION ON REQUEST BY THE ARCHITECT (WHERE INDEPENDENTLY CERTIFIED TIMBER STOCKS ARE NOT AVAILABLE, TIMBER AND WOOD PRODUCTS MAY BE SOURCED FROM SUPPLIERS THAT HAVE ADOPTED A FORMAL ENVIRONMENTAL PURCHASING POLICY, AND CAN PROVIDE CREDIBLE EVIDENCE OF A COMMITMENT TO THAT POLICY).

THIS DRAWING IS TO BE READ IN CONJUNCTION WITH ALL RELEVANT ARCHITECTS, STRUCTURAL ENGINEERS, M&E ENGINEERS AND OTHER CONTRACT DOCUMENTS.

AT ALL STAGES CONSIDERATION HAS BEEN GIVEN TO PROJECT SPECIFIC HAZARD IDENTIFICATION. A FULL DESIGNERS RISK ASSESSMENT HAS BEEN COMPILED AND ISSUED TO ALL STAKEHOLDERS, INCLUDING THE PRINCIPAL DESIGNER AND PRINCIPAL CONTRACTOR, IF APPLICABLE. HOWEVER, IT SHOULD BE NOTED THAT ONLY SIGNIFICANT AND UNUSUAL RISK HAVE BEEN IDENTIFIED. THE PRINCIPAL CONTRACTOR MUST CARRY OUT THEIR OWN RISK ASSESSMENTS AS OTHER UNIDENTIFIED RISKS WILL EXIST.

WHERE RISKS HAVE BEEN IDENTIFIED, REFER TO THE LEGEND BELOW AND TO THE SPARC DESIGNERS RISK ASSESSMENT.

SAFETY, HEALTH AND ENVIRONMENTAL INFORMATION

- FFHST01 - FALLS FROM HEIGHT
- FFHST02 - FALLS THROUGH FRAGILE MATERIAL
- FFHST03 - MOVING OBJECTS
- FFHST04 - FALLING OBJECTS
- FFHST05 - SLIPS AND TRIPS
- FFHST06 - LIVE SERVICES
- FFHST07 - NOISE / VIBRATIONS
- FFHST08 - MATERIALS HANDLING
- FFHST09 - INSTABILITY
- FFHST10 - DUST / FUMES
- FFHST11 - WORK IN CONFINED SPACES
- FFHST12 - COLLISION
- FFHST13 - EXHAUSTION
- FFHST14 - FIRE / OTHER EMERGENCY

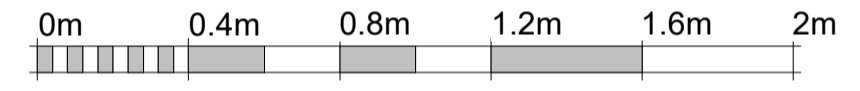


GENERAL NOTE

ALL OPENING CUPBOARDS AND DRAWERS TO CONTAIN HANDLES STATED IN DOOR SCHEDULE - H.03 AND BE SHAKER STYLE PANELLLED

ALL OTHER ASSOCIATED HINGES AND PARTS TO BE PROVIDED BY JOINERY MAKER AND AGREED BY SPARC

REFER TO LIGHTING SPECIALIST DESIGN FOR LOCATIONS OF INTEGRATED LIGHTING TO BE FORMED IN JOINERY



VISUAL SCALE 1:20 @ A1

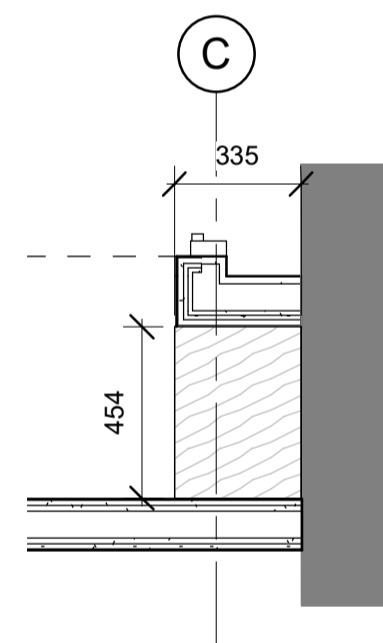
DATE	REV	BY	DESCRIPTION
07.09.21	C01	PL	ISSUED FOR PLANNING CONDITION 4 a)

SPPARC

N°10 BAYLEY STREET
BEDFORD SQUARE
LONDON WC1B 3HB
T +44 (0) 20 7734 4100
F +44 (0) 20 7534 9930
W www.spparstudio.com

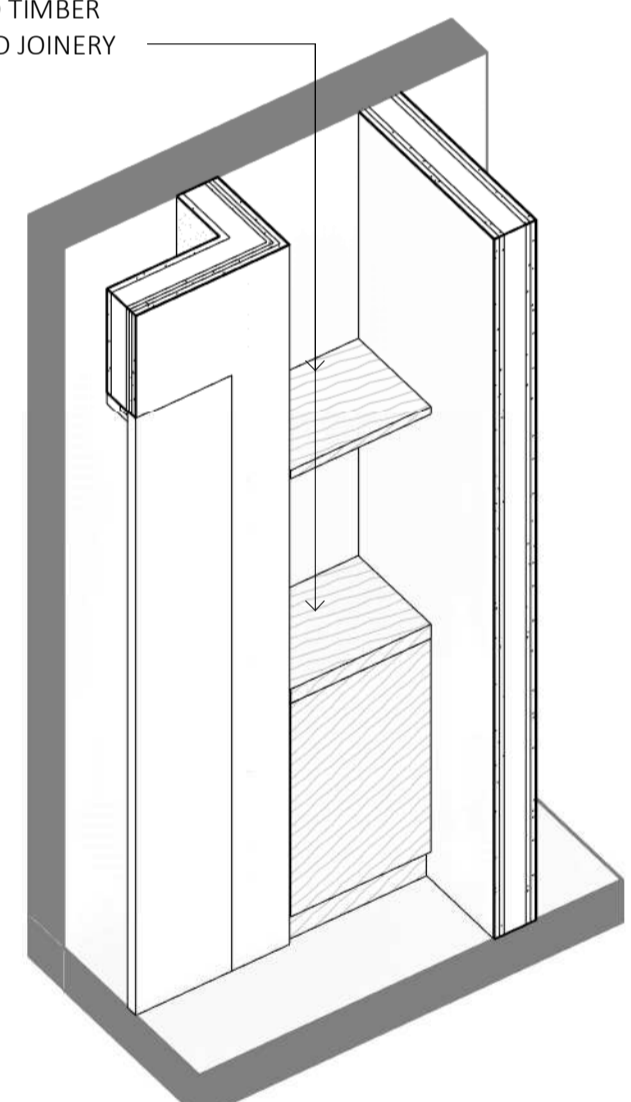
Client	Skagen
Job Title	1808 - 30 Percy Street
Drawing Title	Third Joinery Details 02
Drawing Number & Revision	1808-SPP-PL-76-03-01-02
Scale	1:20@A1
Date Amended	07.09.21
Amended By	PL
Revision	C01
Checked	TM
Date Created	20.08.21
Drawn By	PL
SUITABILITY	S4

L3.05 - PRINTING STORE

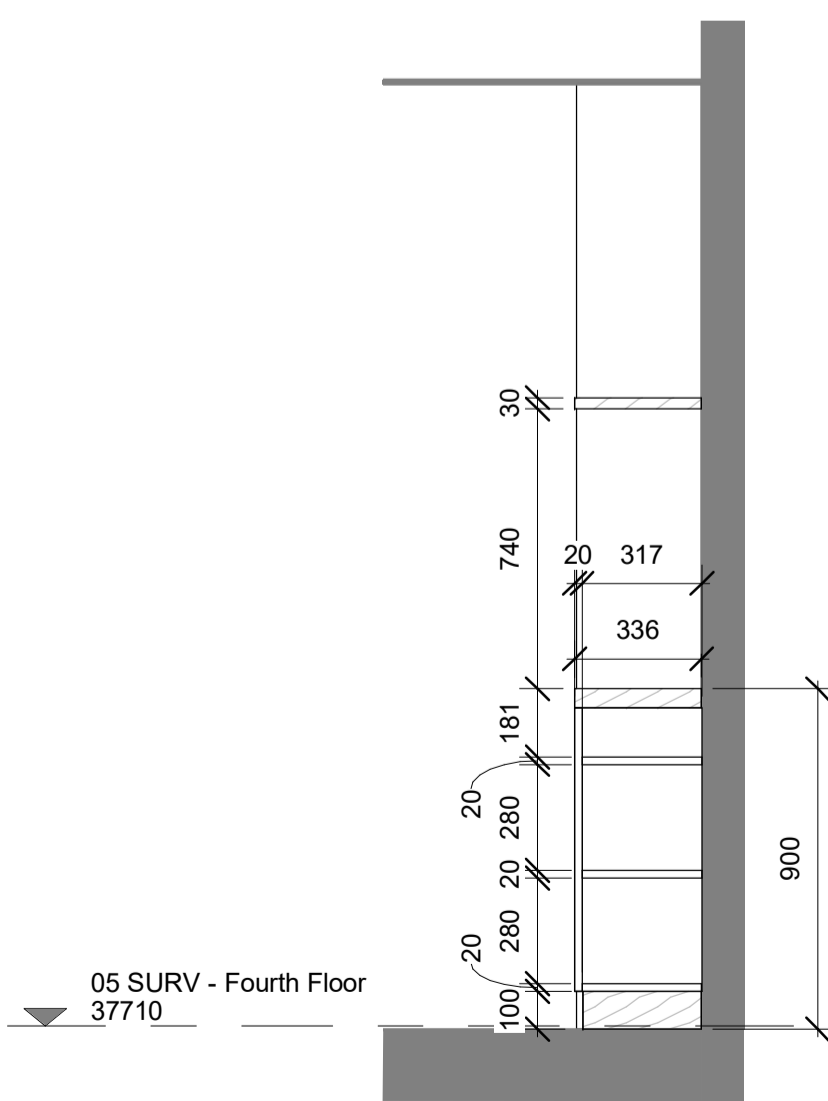


PL-L3.05 - OFFICE JOINERY 1.0
1 : 20

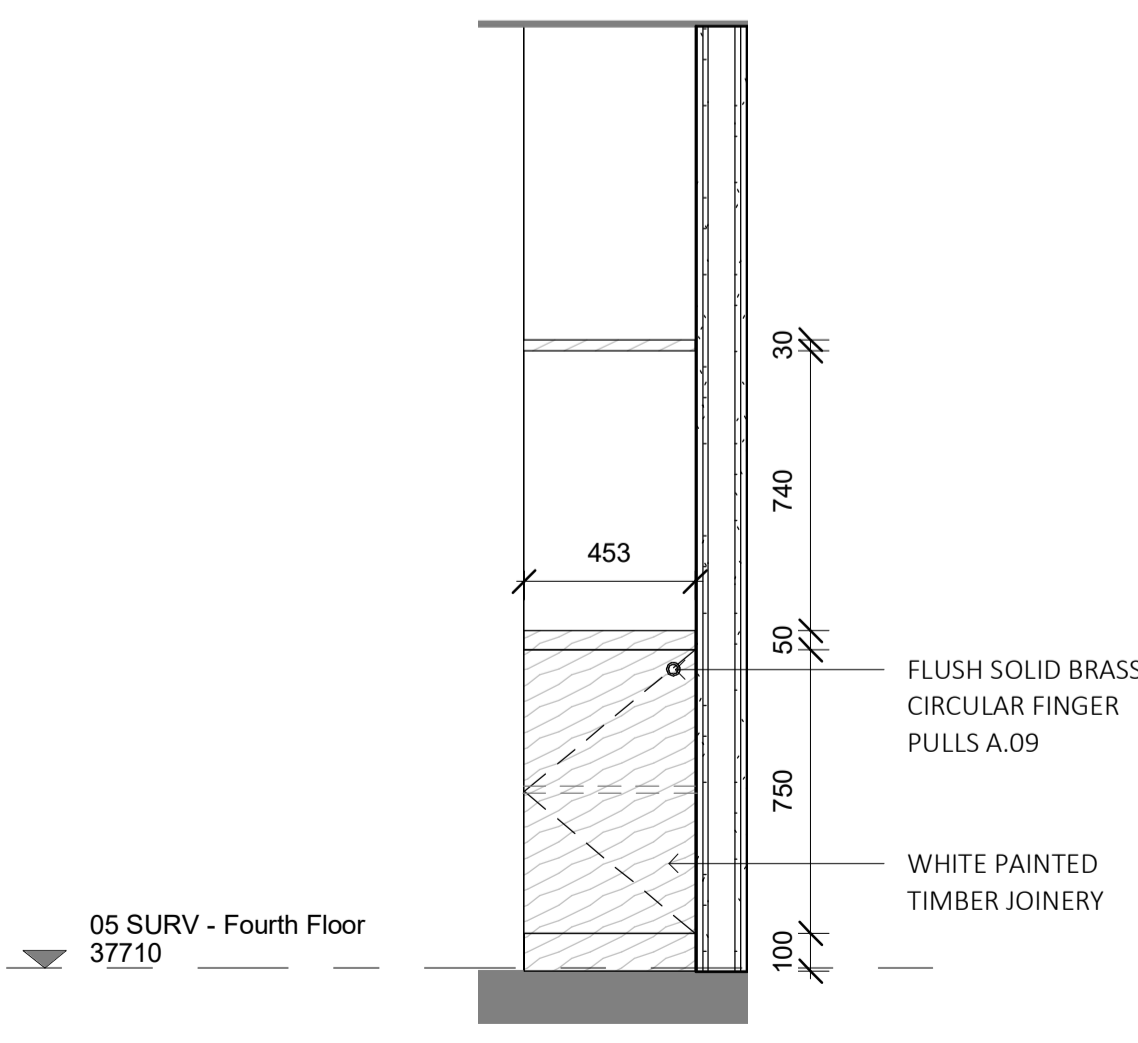
NEW PAINTED TIMBER SHELVING AND JOINERY UNIT



PL-L3.05 - OFFICE JOINERY 4.0

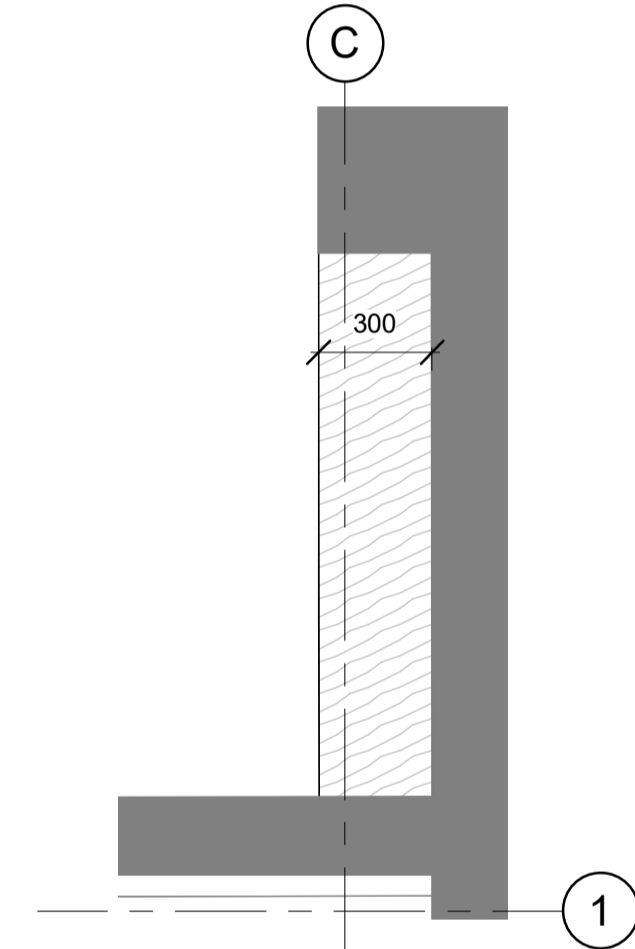


PL-L3.05 - OFFICE JOINERY 3.0
1 : 20

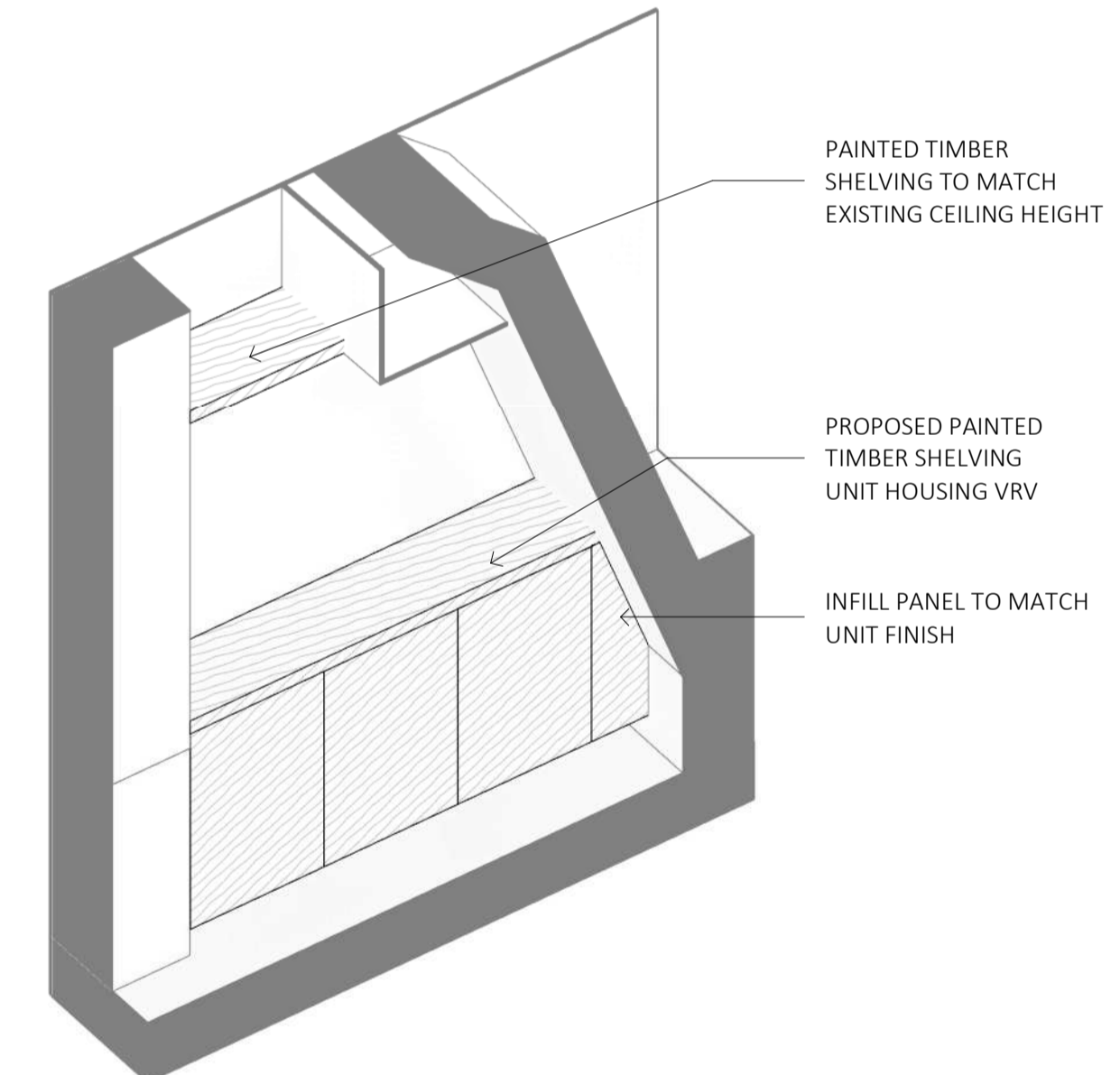


PL-L3.05 - OFFICE JOINERY 2.0
1 : 20

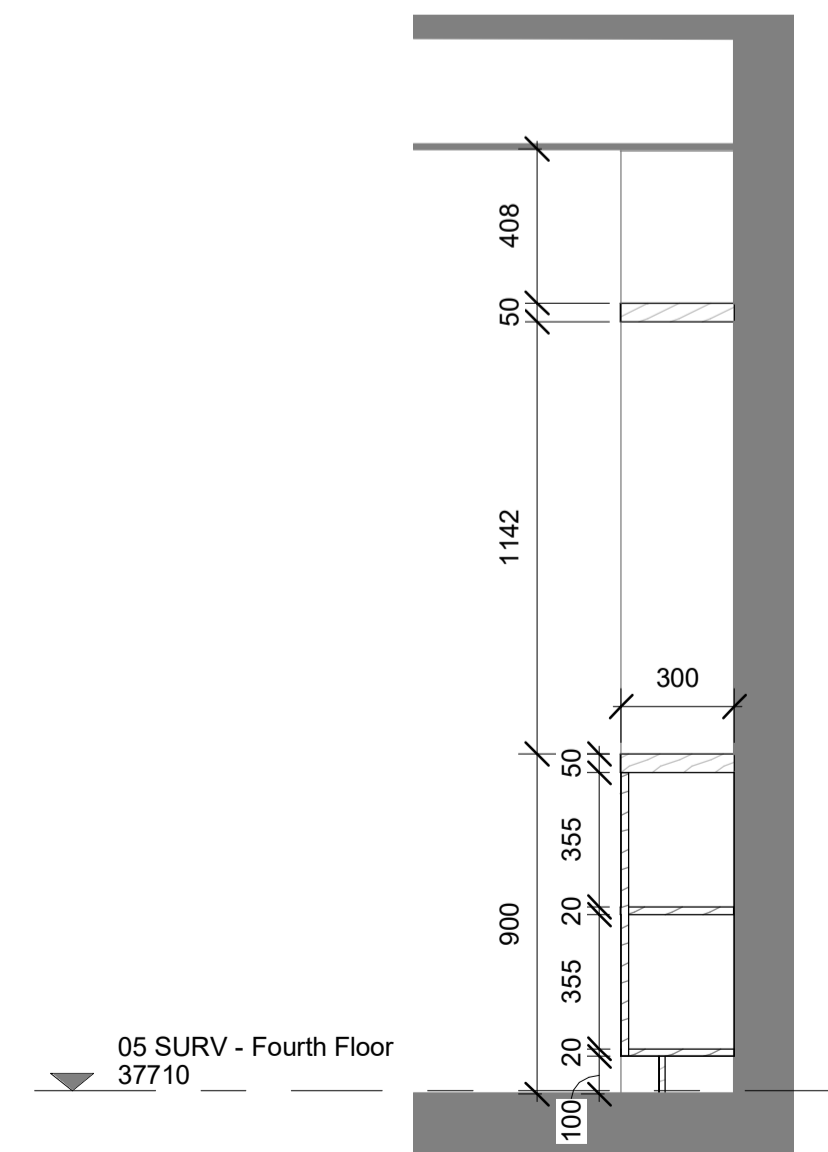
L3.06 - BRAINSTORMING AREA SHELVING



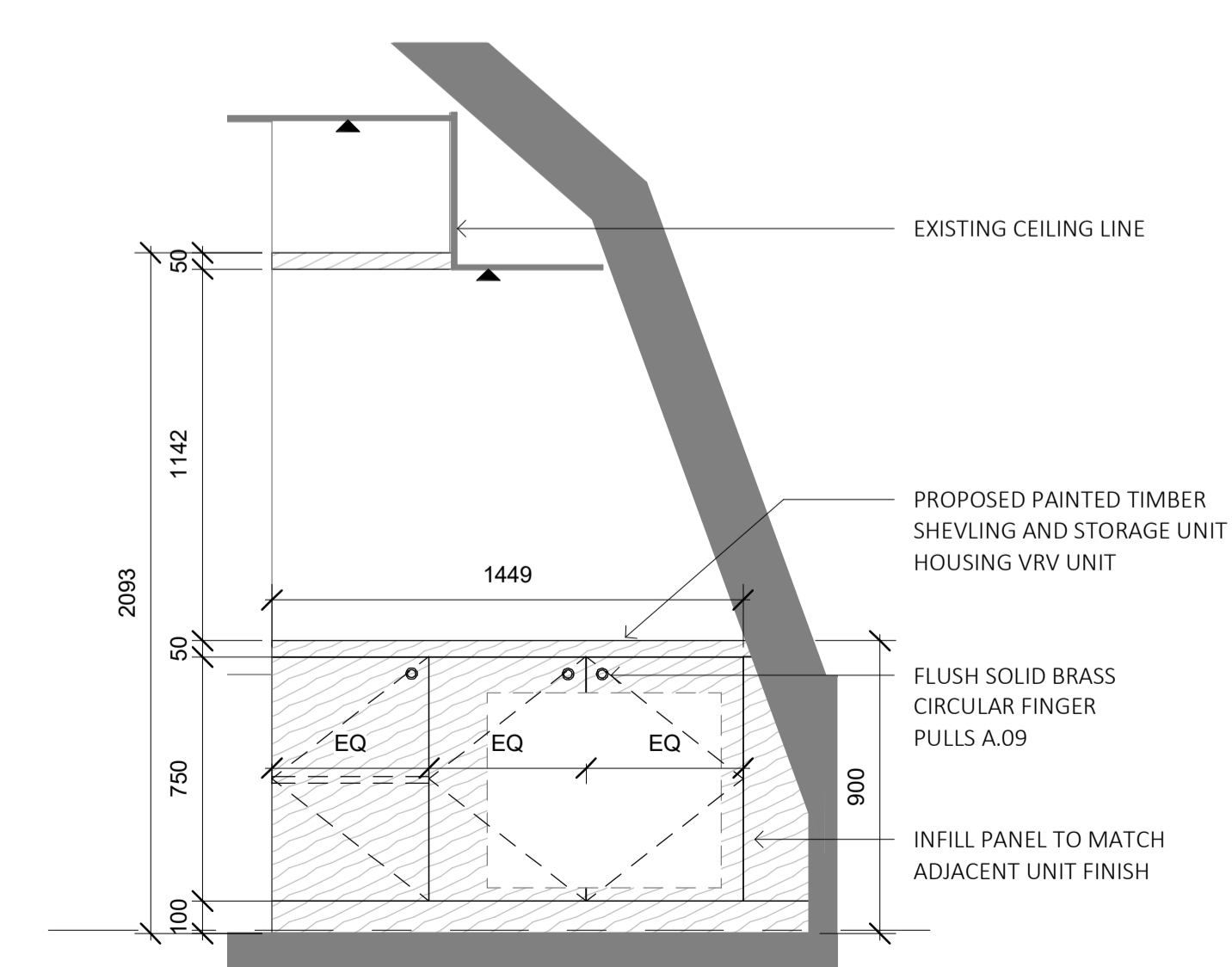
PL-L3.06 - BRAINSTORMING AREA SHELVING 1.0
1 : 20



PL-L3.06 - BRAINSTORMING AREA SHELVING 4.0



PL-L3.06 - BRAINSTORMING AREA SHELVING 3.0
1 : 20



PL-L3.06 - BRAINSTORMING AREA SHELVING 2.0
1 : 20